



BT8441

UNIVERSAL FLAT SCREEN WALL MOUNT



Designed for medium and large sized screens, the BT8441 supports weights up to 80kg and features a low-profile design that mounts screens just 30mm from the wall. The universal interface accommodates mounting patterns up to 455 x 400mm and comes with adjustment screws which allow the screen to be levelled once mounted.

SPECIFICATION

Recommended screen size	39" - 55"
Max load	80kg
Fits universal patterns	up to 455 x 400mm
Distance from wall	30mm
Colour	Black

**Please note the maximum load is reduced to 50kg when single pole mounted*

FEATURES

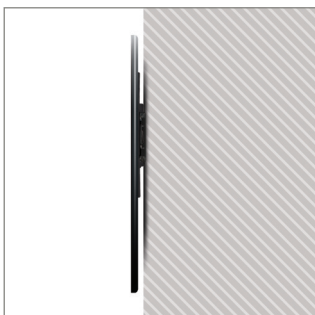
- Low profile design for a close to the wall installation
- Lateral adjustment of screen once mounted
- Levelling screws allow adjustment of screen height
- Compatible with B-Tech's collar and pole system for pole mounting screens
- Security locking screws help prevent unauthorised removal of screens
- Simple 'hook-on' installation
- All mounting hardware included



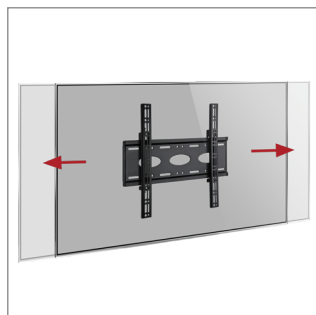
55"
140cm

VESA
400

80KG



Low profile design mounts screen only 30mm from the wall



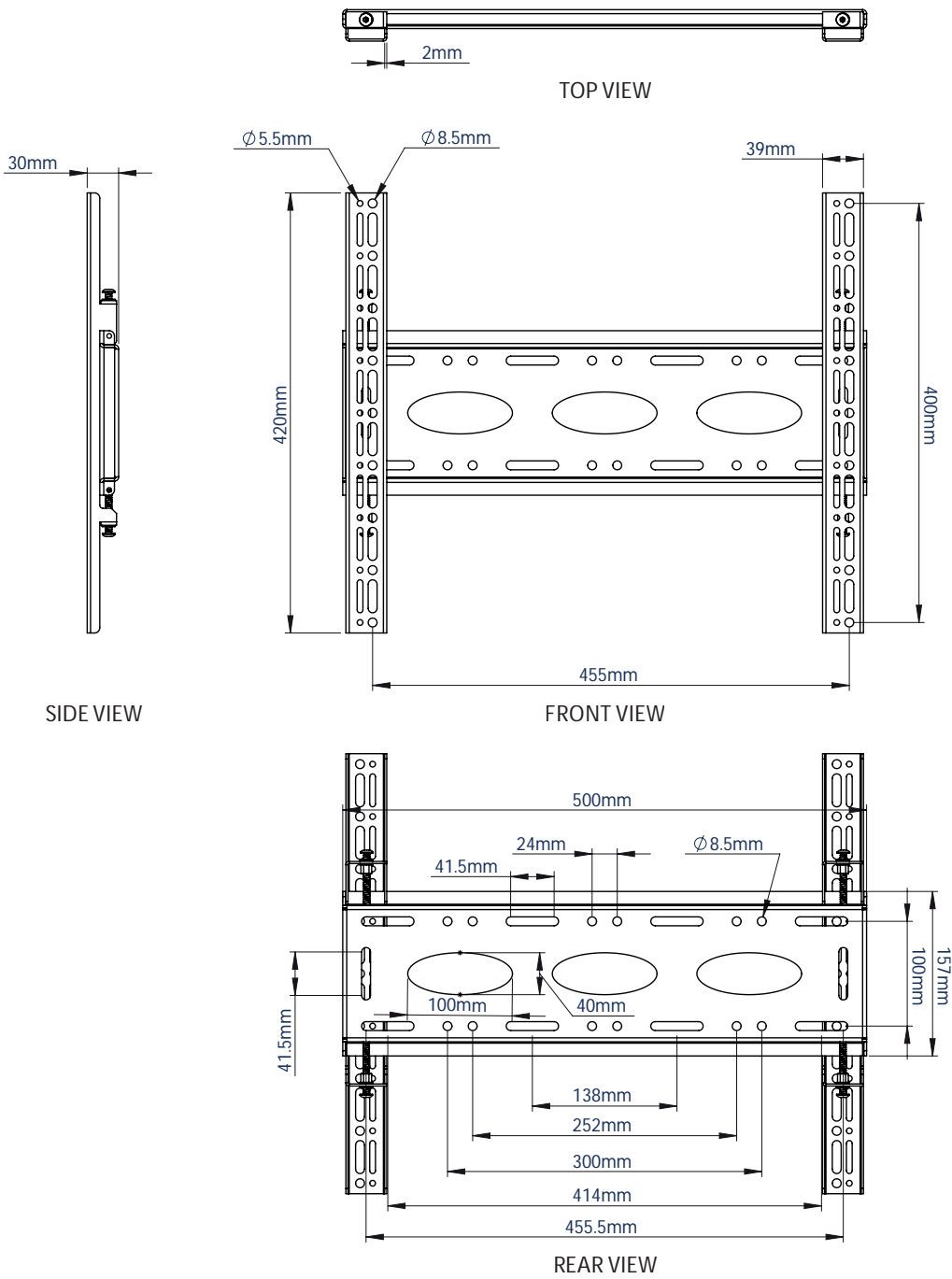
Lateral adjustment of screen once mounted



Levelling screws allow adjustment of screen height



Security locking screws help prevent unauthorised removal of screens



PACKING INFORMATION

COLOUR:	ORDER REF:	EAN CODE:	MASTER CARTON QTY:	INNER CARTON QTY:	MASTER CARTON WEIGHT:	MASTER CARTON CUBE:
Black	BT8441/B	5019318651205	4	0	12.8kg	0.0211cbm

RELATED PRODUCTS



BT7822
Heavy Duty Floor / Ceiling Mount for 50mm poles



BT7850
50mm Diameter Poles available as 0.25m - 3m in Black, Silver or Chrome



BT7851
Telescopic Ceiling Mount for 50mm poles



BT7841
50mm 2-Piece Accessory Collar designed to attach a variety of different mounts and accessories onto B-Tech poles

© 2015 B-Tech Professional Products & Services, B-Tech Mounts Ltd. All rights reserved. This information is for informational purposes only. It is not intended to be used as a substitute for professional advice. B-Tech Professional Products & Services, B-Tech Mounts Ltd. is not responsible for any damage or loss of equipment or data caused by the use of this information. B-Tech Professional Products & Services, B-Tech Mounts Ltd. is not responsible for any damage or loss of equipment or data caused by the use of this information. B-Tech Professional Products & Services, B-Tech Mounts Ltd. is not responsible for any damage or loss of equipment or data caused by the use of this information. B-Tech Professional Products & Services, B-Tech Mounts Ltd. is not responsible for any damage or loss of equipment or data caused by the use of this information.

SS-V1-BT8441-130319