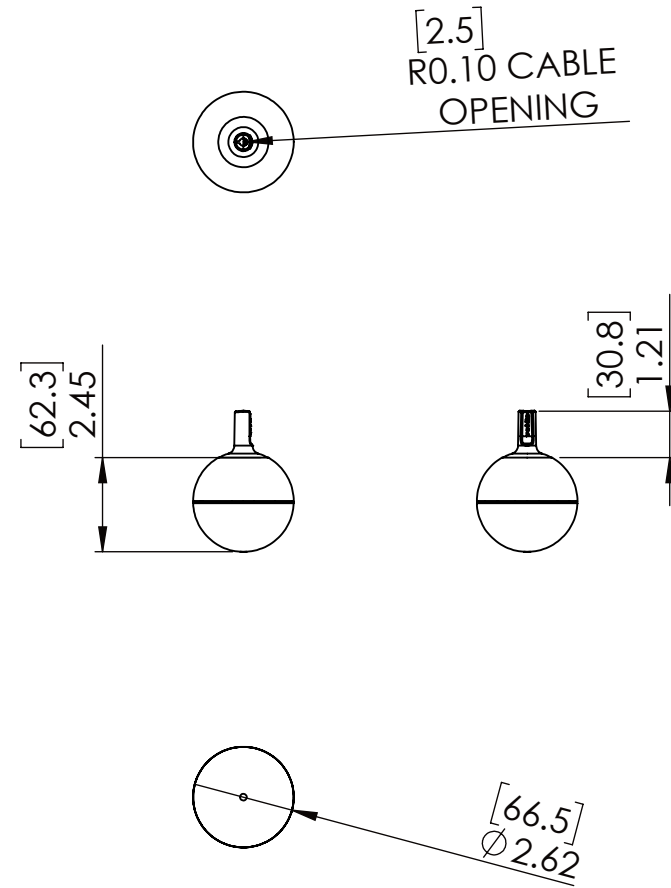
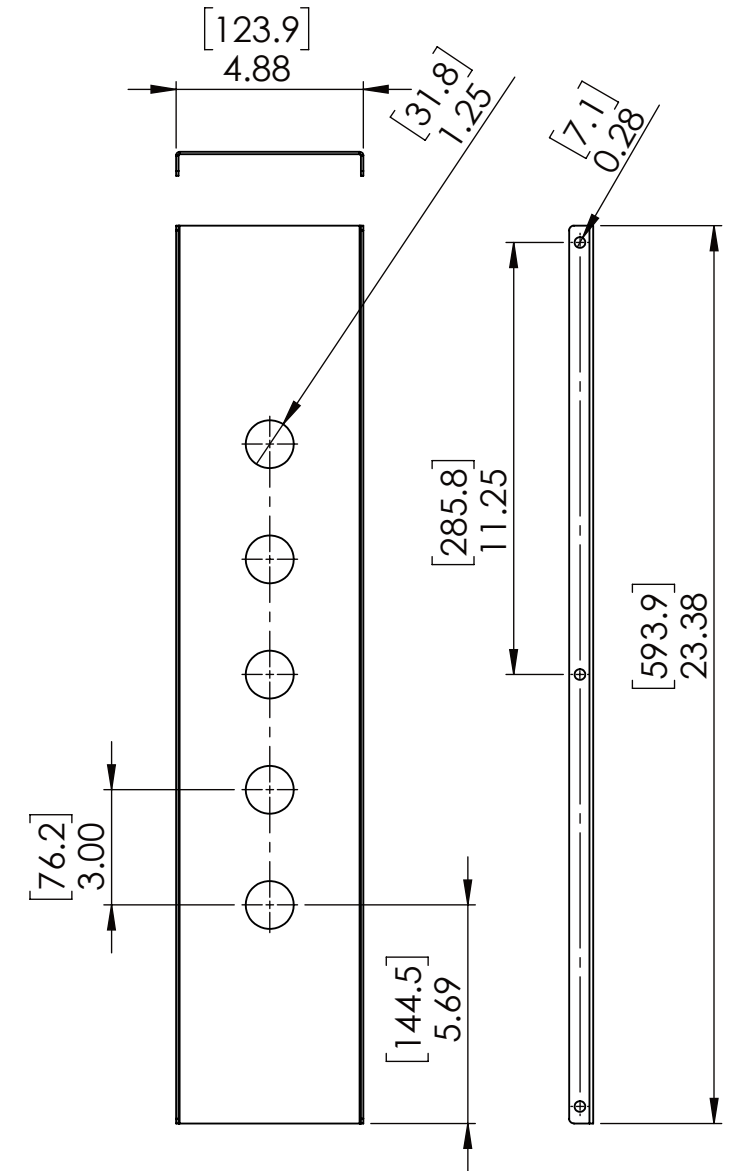


998-85100 CEILING MIC I/F BOX



998-85110 CEILING MIC



342-1463 TILE BRACE

UNLESS OTHERWISE NOTED:
 DIMENSIONS ARE IN INCHES
 DIMENSIONAL LIMITS APPLY AFTER FINISH
 MACHINED SURFACES 125 ✓
 EDGES & FILLETS R .005/.015
 FRACTIONS ± 1/32
 ANGLES ± 1°
 DEC. .XX = ± .015
 .XXX = ± .005
 .XXXX = ± .0002

THIS DRAWING, INCLUDING ALL SUBJECT MATTERS INDICATED THERON OR DERIVED THEREFROM, COMPRISES PROPRIETARY INFORMATION AND IS THE EXPRESS PROPERTY OF VADDIO LLC. EMPLOYMENT, REPRODUCTION OF OR DISSEMINATION OF THIS DRAWING, IN WHOLE OR IN PART, WITHOUT WRITTEN PERMISSION OF VADDIO LLC IS STRICTLY FORBIDDEN.



| | | | |
|--------------|---------|----------|--------------|
| DRAWN CMM | CHECKED | APPROVED | DATE |
| MATERIAL | | | SIZE B |
| FINISH | | | SCALE 1:5 |

| REV. | E.C.O. | DESCRIPTION | BY | DATE | TITLE | SHEET | DRAWING NO. | REV. |
|------|--------|-------------|----|------|--------------------------------------|--------|-------------|------|
| | | | | | CEILING MIC, MIC I/F BOX, TILE BRACE | 1 OF 1 | 998-85100 | 01 |