

FTA Series

FAN TRAY

allows fans to be located directly above vents on hot equipment to get the hot air moving

FEATURES:

- Uses from 3 to 8 quiet 4" DC fans (69CFM per fan)
- 8 fan mounting positions let you locate fans exactly where needed
- Energy saving thermostatic control for automatic on/off when needed
- Uses only one rackspace
- Adjustable mounting range of 18" to 32"



SPECIFICATIONS:

EIA compliant 19" Fan Tray shall be Middle Atlantic Products model # FTA-_(3,6) and shall include _ (3,6) DC Fans, with a maximum capacity of 8 fans. Fans shall be positionable within the Fan Tray. Fan Tray shall be constructed of cold rolled steel, finished in a durable black powder coat and shall occupy 1 rackspace. Fan Tray shall activate at 87°F (30.6°C), and switch off at 85°F (29.4°C). Fan Tray shall displace _CFM (207,414) with a maximum decibel level of _ (33,36) dB (measurements made 1 meter from source, centered horizontally and vertically). Fan Tray shall be RoHS EU Directive 2011/65/EU compliant. Fan Tray shall be manufactured by an ISO 9001 and ISO 14001 registered company. Fan Tray shall be warranted to be free from defects in materials and workmanship under normal use and conditions for a period of 3 years. Fan Tray shall include a UL Listed 12V DC power supply and temperature probe with a 9' cord.

Customizable specification clips available at middleatlantic.com

EIA/TIA COMPLIANT



OPTIONS:

- Optional 69 CFM 4" fan shall be part # FT-FAN

WHAT GREAT SYSTEMS ARE BUILT ON.™

A brand of  **legrand**



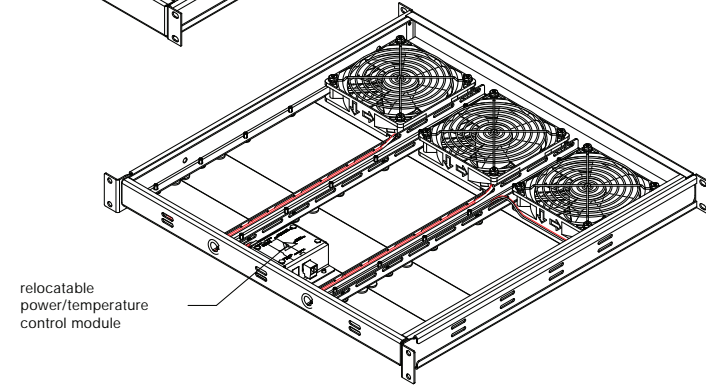
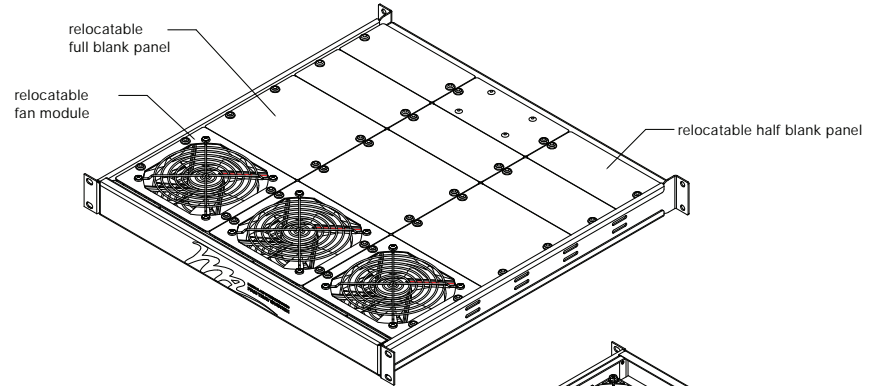
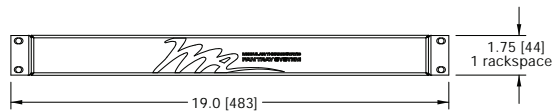
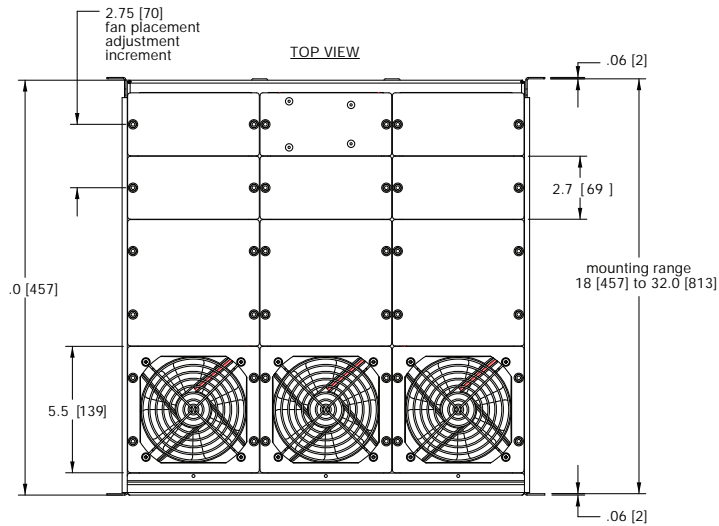
Middle Atlantic Products
middleatlantic.com | middleatlantic.ca

96-01137 / rev b / 9-6-17

FTA Series Fan Tray

BASIC DIMENSIONS

All dimensions in inches unless otherwise noted [All dimensions in brackets are in millimeters]



NOTE:
 Maximum fan quantity for FTA-3 and FTA-6 is 8 when used with optional FT-FAN kits.
 Specifications for 8 fans as follows:
 Airflow: 552 CFM [15.6 M3/MIN]
 Sound level: 37 dBA
 Current draw: 1.14 A @ 12VDC