

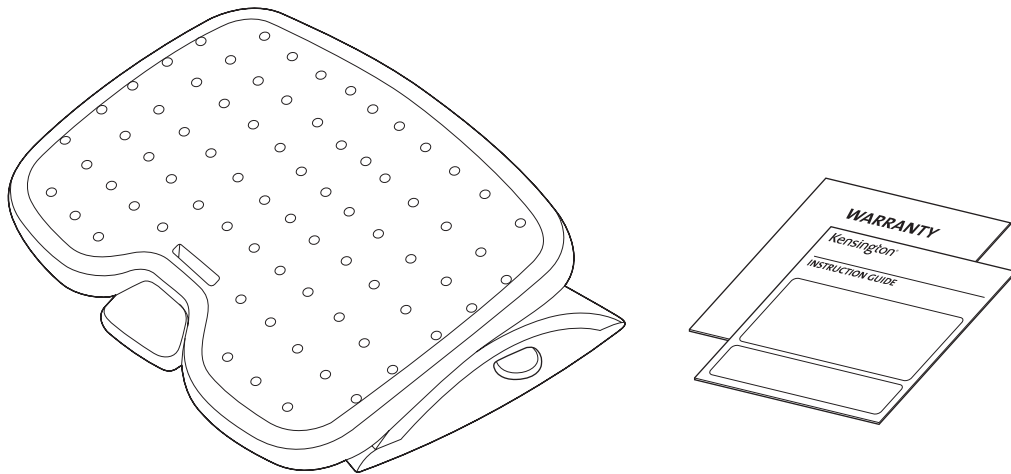
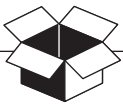
# Kensington®

## SmartFit® Solemate™ Foot Rest

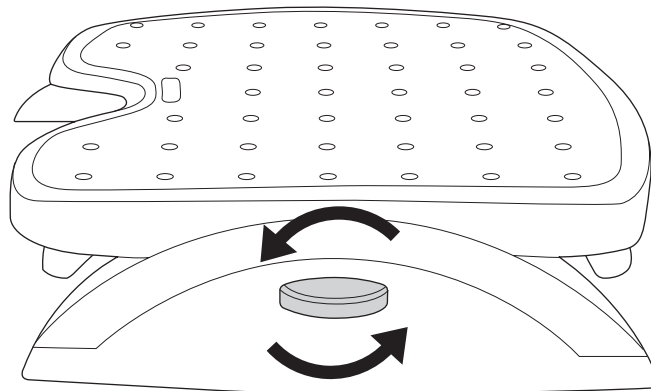
QUICK START GUIDE  
GUIDE DE DEMARRAGE RAPIDE  
KURZANLEITUNG  
SNELSTARTGIDS  
GUIDA RAPIDA  
GUÍA RÁPIDA  
GYORSKALAUZ

P ÍRU KA ZA ÍNÁME  
SZYBKI START

MANUAL DE INÍCIO RÁPIDO



1



2



3



1



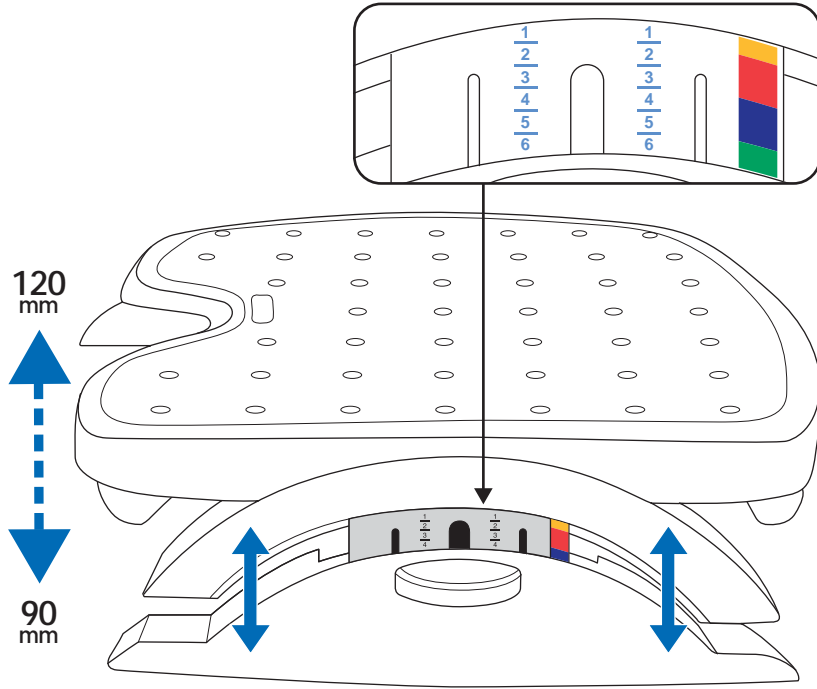
2, 3



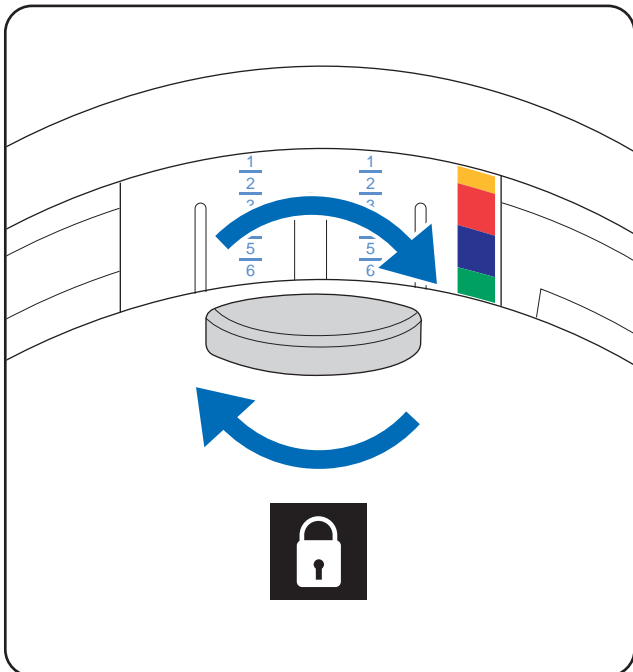
4, 5



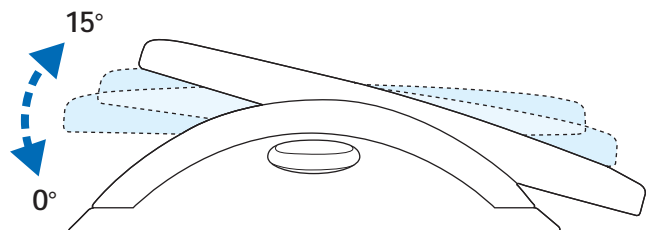
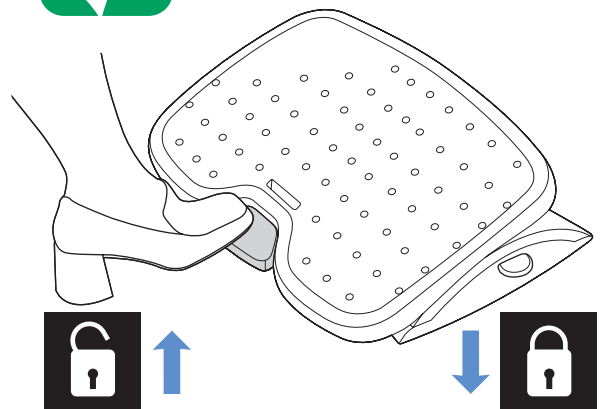
6



4



5



Register Now!  
Enregistrer maintenant !  
Jetzt registrieren!  
Nu registreren

Registrar ahora  
Registra adesso  
Regisztráljon most!  
Zaregistrujte se nyní!

Zarejestruj si !  
Registe-se agora!  
!

[register.kensington.com](http://register.kensington.com)

Technical Support / Assistance technique / Technischer Support / Technische ondersteuning / Supporto tecnico / Asistencia técnica /  
M szaki támogatás / Technická podpora / Pomoc techniczna / / Assistència tècnica /

Australia	1300 881 931	Hungary	06 20 9430 612	Portugal	800855802
België / Belgique	02 401 2395	Ireland	01 431 1395	Russia	007 495 933 5163
Brasil	14 3235-4003	Italia	02 3604 7030	Schweiz / Suisse	044 580 6667
Canada	1 800 268 3447	México	55 15 00 57 00	Sweden	08 5033 6577
Denmark	80 250966	Nederland	010 713 1882	United Kingdom	0203 364 5390
Deutschland	0692 222 3654	New Zealand	0800 539 26273	United States	1 800 535 4242
España	911 146 735	Norway	80017520	International Toll	+31 53 484 9135
Finland	0800 9 15697	Österreich	0800 677 873		
France	01 7671 0404	Polska	22 570 18 00		

Kensington and the ACCO name and design are registered trademarks of ACCO Brands. SmartFit is a registered trade mark of ACCO Brands. Solemate is a trade mark of ACCO Brands. All other registered and unregistered trademarks are the property of their respective owners.

©2016 Kensington Computer Products Group, a division of ACCO Brands. Any unauthorized copying, duplicating, or other reproduction of the contents hereof is prohibited without written consent from Kensington Computer Products Group. All rights reserved. 07/16



Kensington Computer Products Group  
A Division of ACCO Brands  
1500 Fashion Island Blvd, 3rd Floor  
San Mateo, CA 94404



ACCO Brands Europe  
A Division of ACCO Brands Europe  
Oxford House, Oxford Road  
Aylesbury, Buckinghamshire,  
HP21 8SZ  
United Kingdom

ACCO Brands Canada Inc  
7381 Bramalea Rd  
Mississauga,  
ON L5S 1C4  
Canada

ACCO Australia  
Level 2, 8 Lord St  
Botany NSW 2019  
Australia

Importado por ACCO Mexicana  
S.A. de C.V.  
Circuito de la Industria Norte # 6,  
Corredor Industrial Toluca Lerma,  
Lerma México Cp. 52004  
R.F.C. AME640229-1W3

Acco Brands Chile S.A.,  
Avda. San Josemaría  
Escrivá de Balaguer N°5773  
Vitacura, C.P. 7640970  
Santiago, Chile

Importado e Distribuído por:  
TILIBRA PRODUTOS DE PAPELARIA LTDA.  
CNPJ: 44.990.901/0001-43  
Rua Aymorés, 6-9 – Bauru/SP – Brasil  
CEP 17013-900

[www.kensington.com](http://www.kensington.com)

K56144 / K56146 / K56153 / K52789

901-2016-02