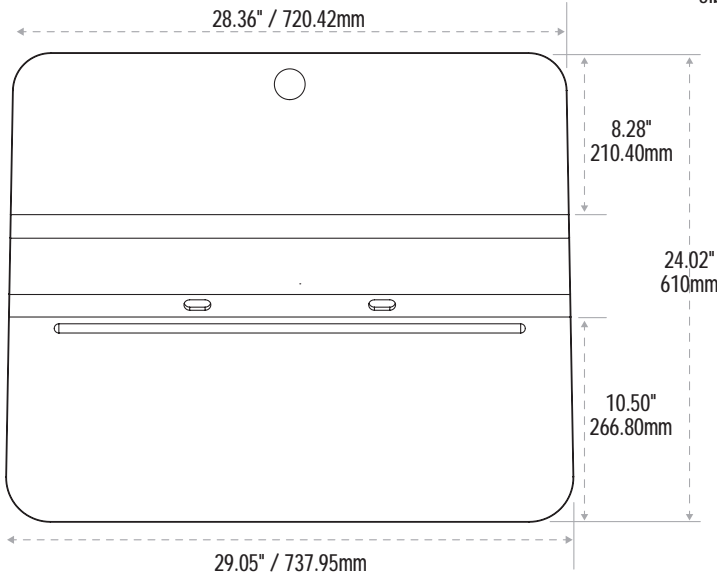


# Lotus™ RT Sit-Stand Workstation

Single: Dimensions

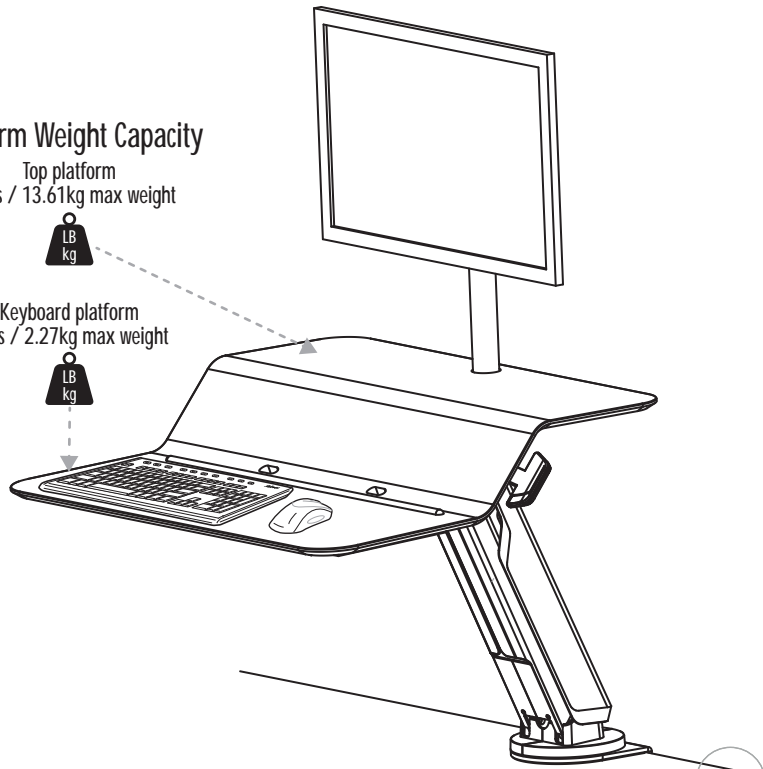


## Platform Weight Capacity

Top platform  
30lbs / 13.61kg max weight



Keyboard platform  
5lbs / 2.27kg max weight

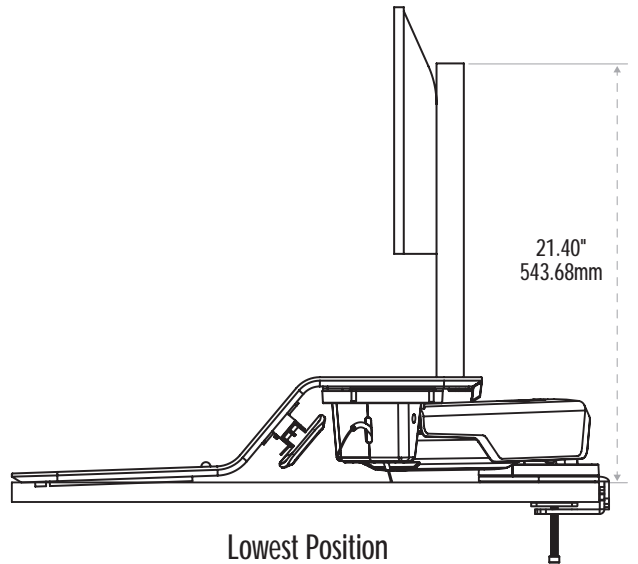
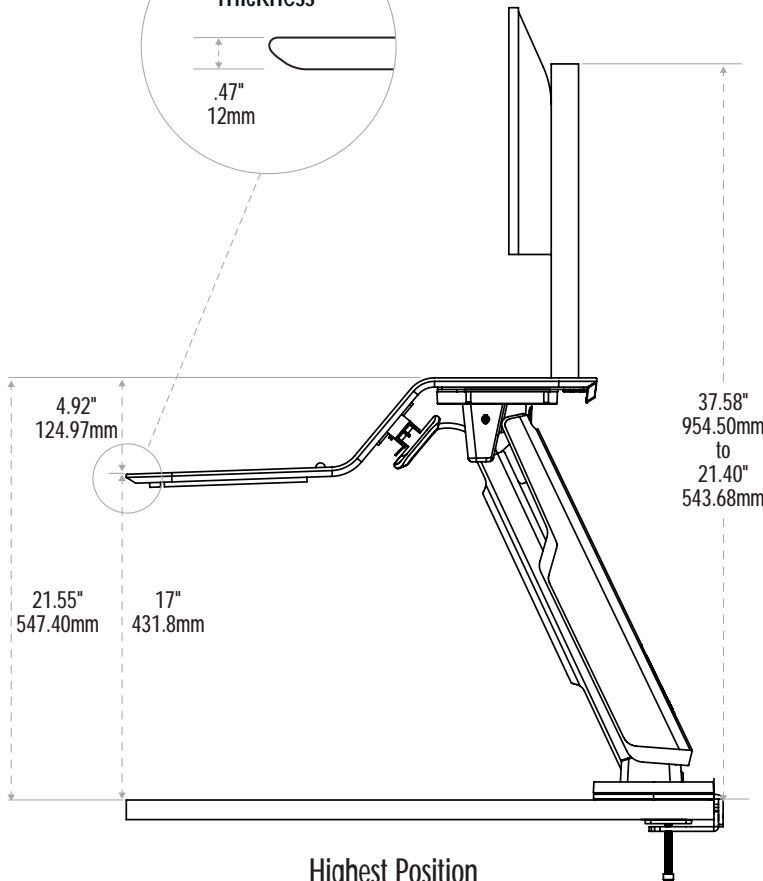


## Desk Thickness

Min.  
.75" / 19mm

Max.  
3" / 76mm

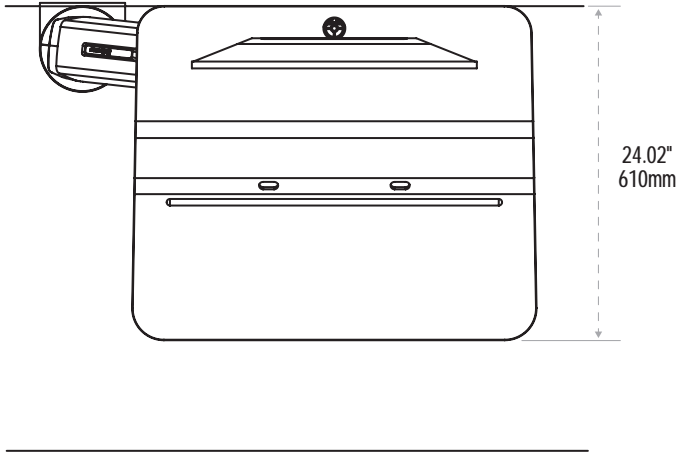
## Lotus™ RT Thickness



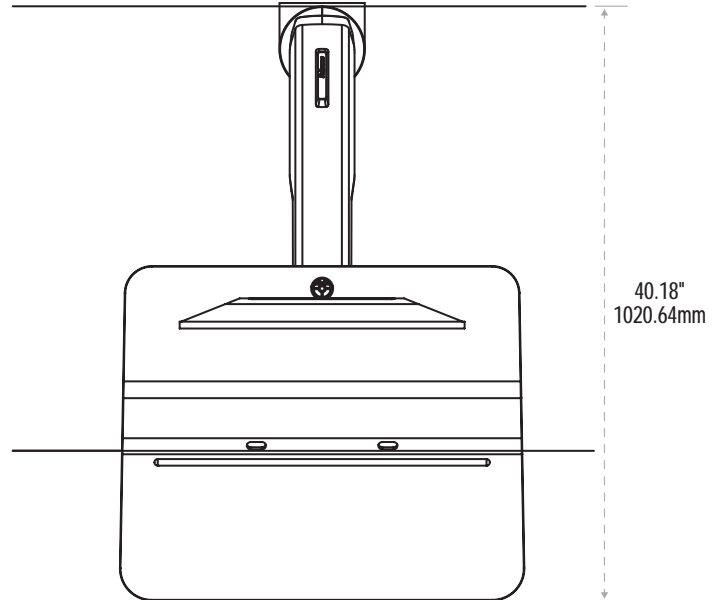
# Lotus™ RT Sit-Stand Workstation

Single: Dimensions

Minimum Reach

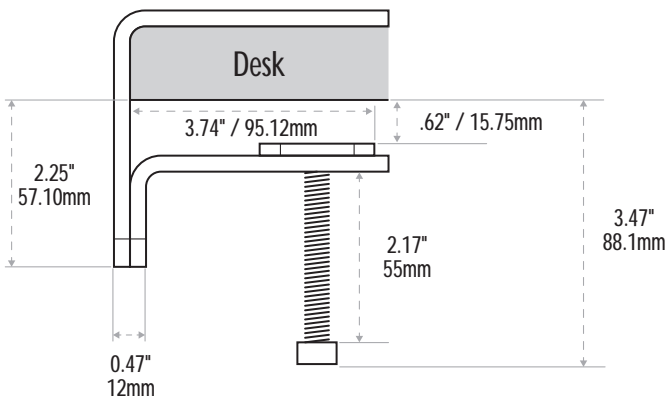


Maximum Reach



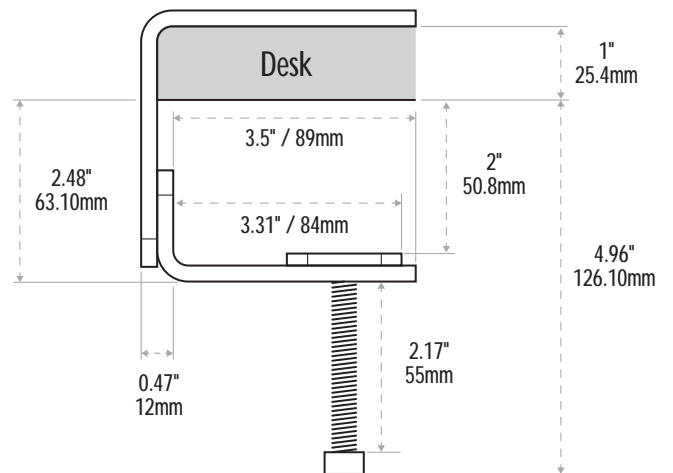
Desk Clamp Option A

Desk thickness of .75" to 1.62" / 19mm to 41.27mm



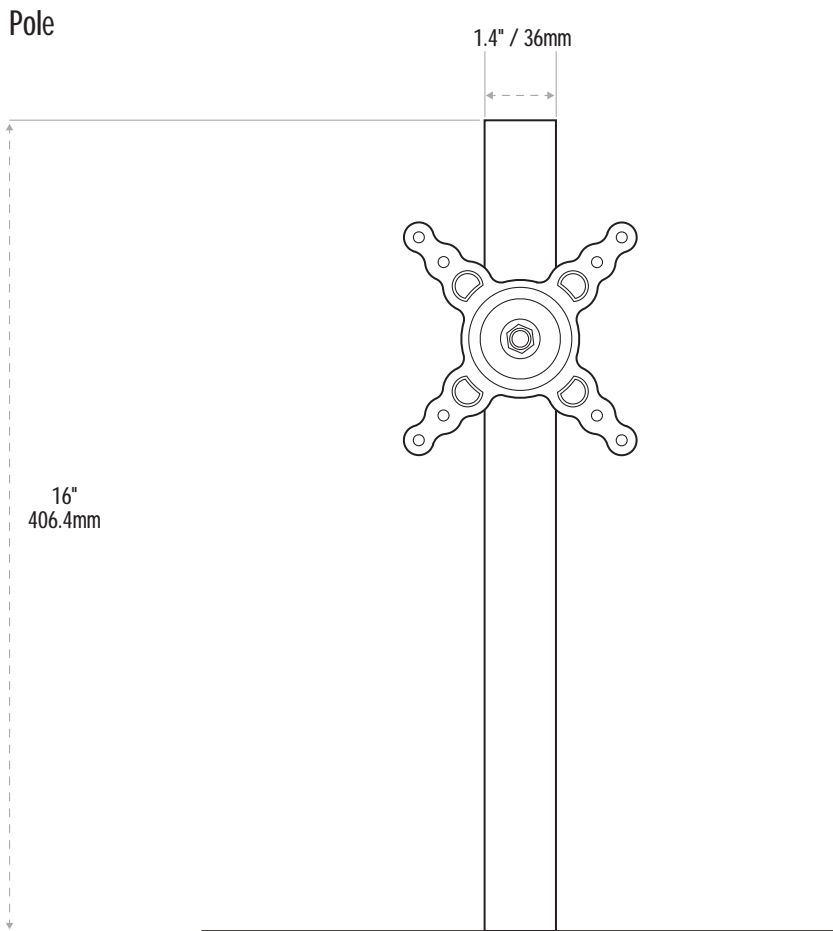
Desk Clamp Option B

Desk thickness of 1.63" to 3" / 41.28mm to 76mm



# Lotus™ RT Sit-Stand Workstation

Single: Dimensions



Maximum Monitor Size: 27" / 68.58cm

Maximum Monitor Weight: 17lbs / 8kgs

Monitor Rotation: 180°

Monitor Pan: 180°

Monitor Tilt: 100°

VESA: 75 x75 / 100 x 100

This block contains six diagrams illustrating monitor specifications: 1. A monitor with a dashed line indicating a 27-inch diagonal size. 2. A monitor with a weight icon indicating a maximum weight of 17 lbs / 8 kgs. 3. A monitor with a circular dashed line and arrows indicating 180-degree rotation. 4. A monitor with a horizontal dashed line and arrows indicating 180-degree pan. 5. A monitor with a vertical dashed line and arrows indicating 100-degree tilt. 6. A VESA mounting plate with dimensions 75 x 75 / 100 x 100.