

Zoom lens

**Description**

This zoom lens is designed for use with a Panasonic's applicable projector. The lens makes it possible to vary the projection distance by changing the focal distance.

**NOTE:** Please use the lens only on the specified Panasonic projectors.

**Specifications**

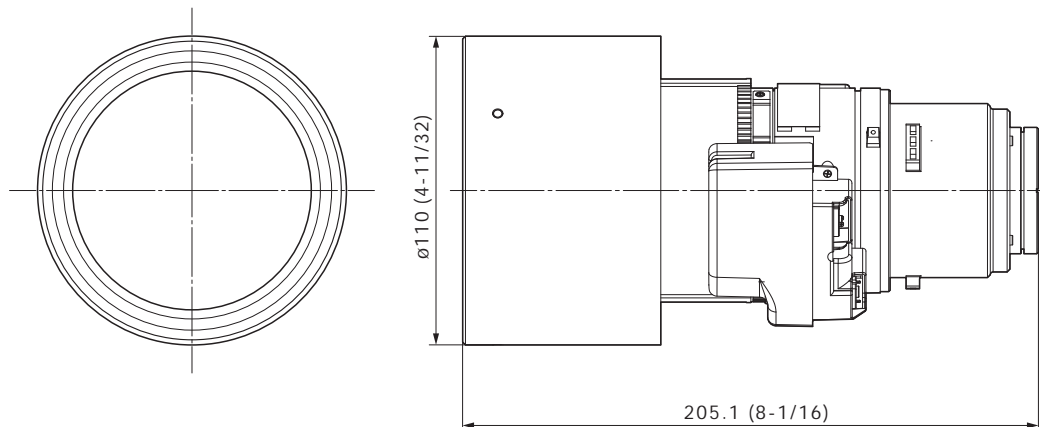
|                         |  |
|-------------------------|--|
| F value:                | 1.7-2.24   |
| Focal distance (f):     | 31.34 mm-56.79 mm  |
| Throw ratio:            | WUXGA 2.23 - 4.02:1 for PT-EZ590 (16:10 aspect ratio)<br>WXGA 2.23 - 4.02:1 for PT-EW650/EW550 (16:10 aspect ratio)<br>XGA 2.39 - 4.36:1 for PT-EX620/EX520 (4:3 aspect ratio) |
| Dimensions (W × H × D): | 110 × 110 × 205.1*1mm (4-11/32 × 4-11/32 × 8-1/16*1inches)   |
| Weight:                 | Approx. 1.52 kg*2(3.4 lbs*2)   |
| Applicable projector:   | PT-EZ590 series: PT-EZ590/EW650/EW550/EX620  |

\*1 At maximum length.

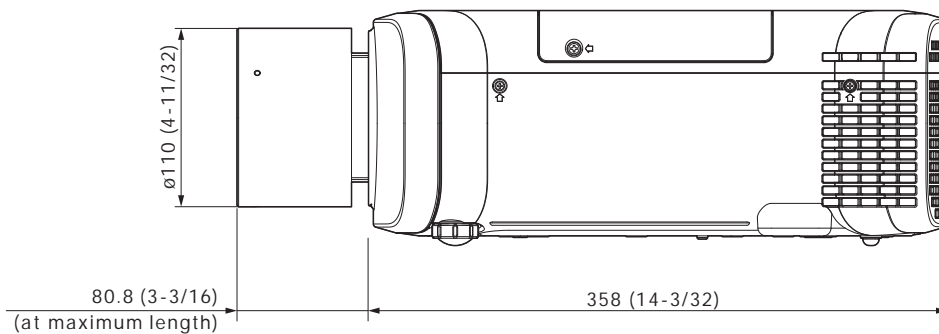
\*2 Average value. May differ depending on the actual unit.

The throw ratio is an approximate value calculated by dividing the screen width by the projection distance.

**Dimensions**



The illustration shows the lens attached to the projector.



**NOTE:** Please read the projector's instruction manual for throw distances.

Weights and dimensions shown are approximate. Specifications subject to change without notice.

unit : mm (inch)

**NOTE:** This illustration is not drawn to scale.