

Kensington®

SoleSaver™ Foot Rest

QUICK START GUIDE

GUIDE DE DEMARRAGE RAPIDE

KURZANLEITUNG

SNELSTARTGIDS

GUIDA RAPIDA

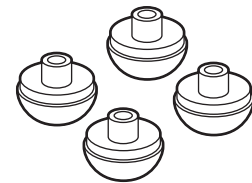
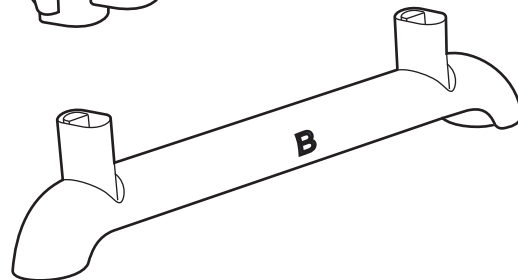
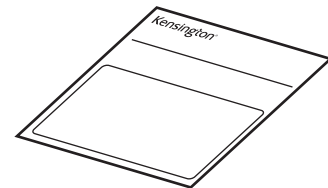
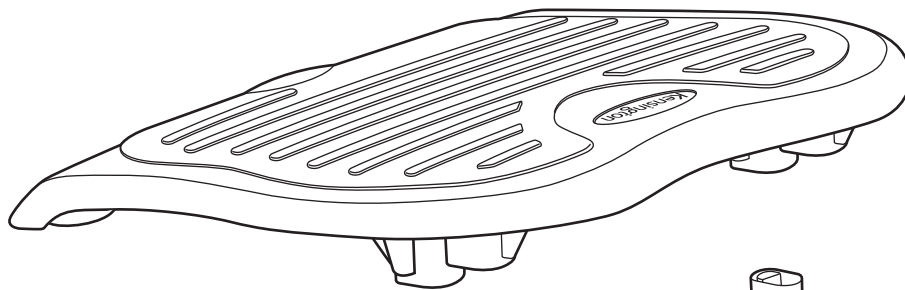
GUÍA RÁPIDA

GYORSKALAUZ

P ÍRU KA ZA ÍNÁME

SZYBKI START

MANUAL DE INÍCIO RÁPIDO



Register Now!

Enregistrer maintenant !

Jetzt registrieren!

Nu registreren

Registrar ahora

Registra adesso

Regisztráljon most!

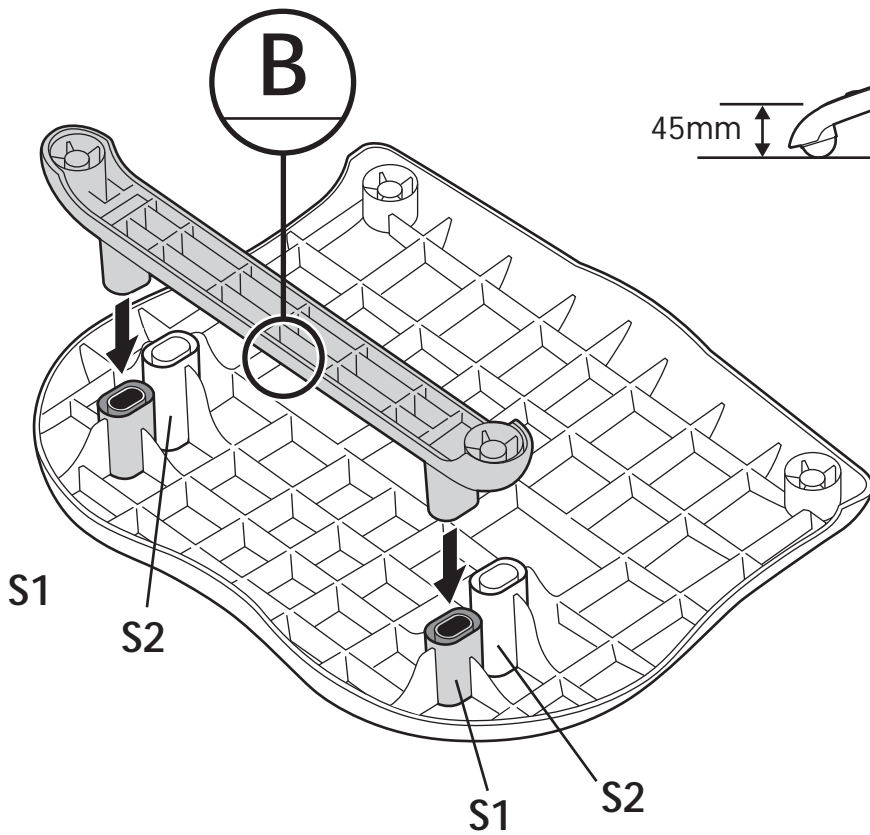
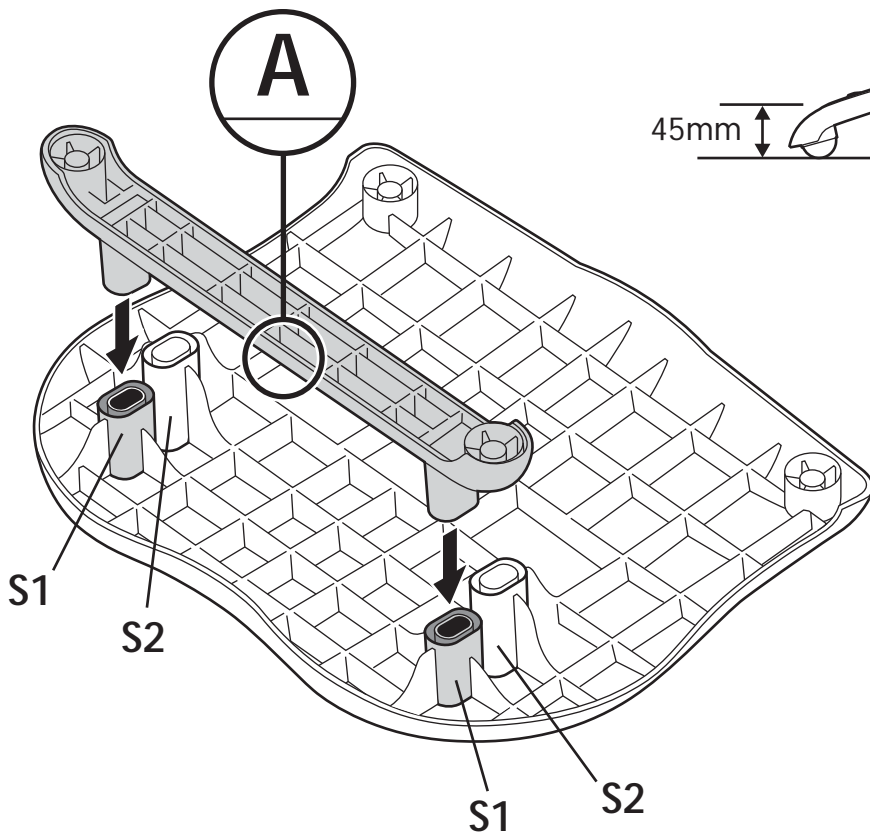
Zaregistrujte se nyní!

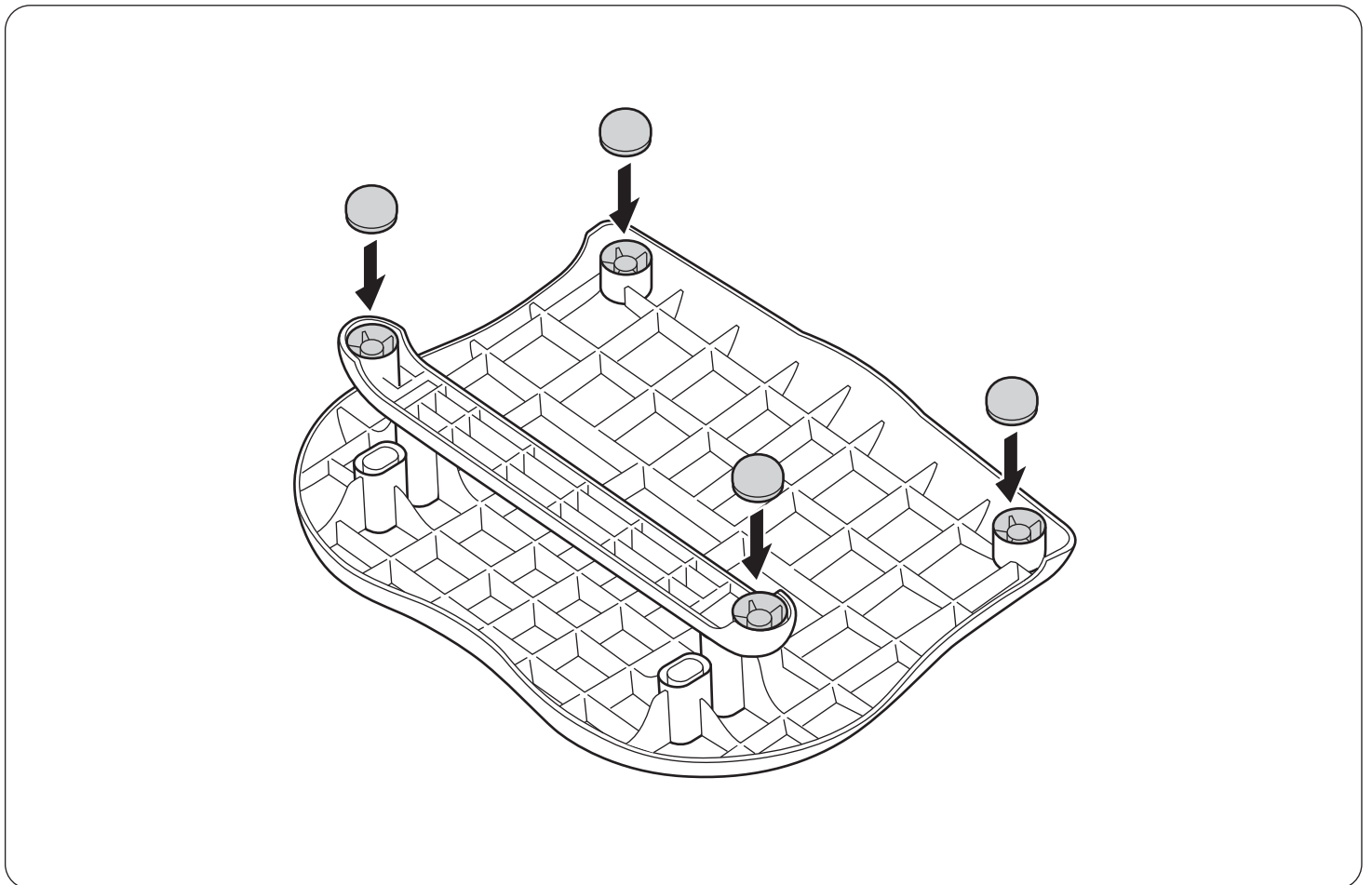
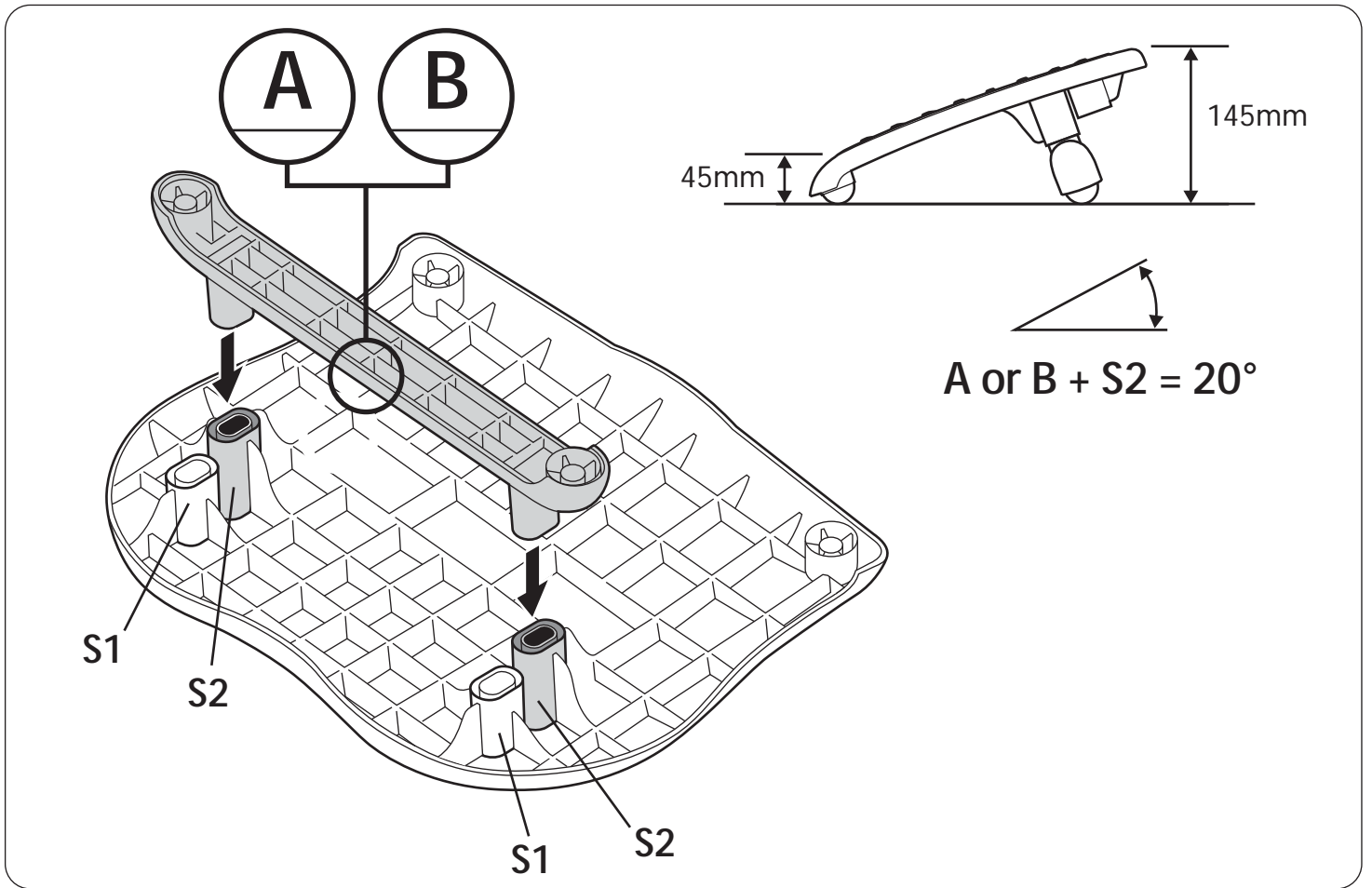
Zarejestruj si !

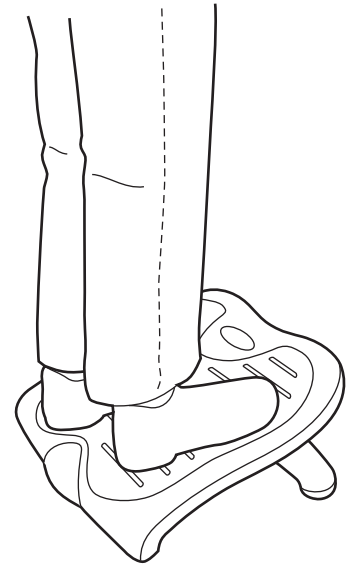
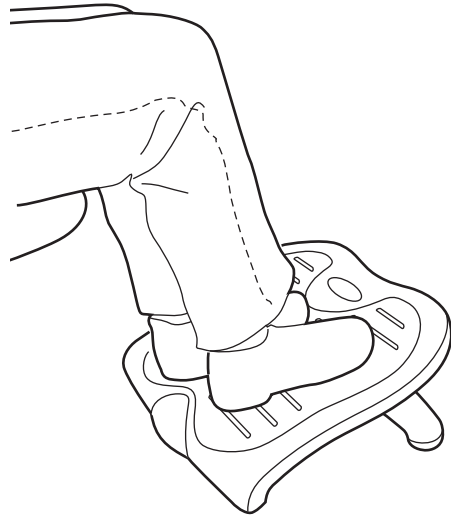
Registe-se agora!

!

register.kensington.com







Technical Support / Assistance technique / Technischer Support / Technische ondersteuning / Supporto tecnico /
 Asistencia técnica / M szaki támogatás / Technická podpora / Pomoc techniczna /
 Assistência técnica

Australia	1300 881 931	Hungary	06 20 9430 612	Portugal	800855802
België / Belgique	02 401 2395	Ireland	01 431 1395	Russia	007 495 933 5163
Brasil	14 3235-4003	Italia	02 3604 7030	Schweiz / Suisse	044 580 6667
Canada	1 800 268 3447	México	55 15 00 57 00	Sweden	08 5033 6577
Denmark	80 250966	Nederland	010 713 1882	United Kingdom	0203 364 5390
Deutschland	0692 222 3654	New Zealand	0800 539 26273	United States	1 800 535 4242
España	911 146 735	Norway	80017520	International Toll	+31 53 484 9135
Finland	0800 9 15697	Österreich	0800 677 873		
France	01 7671 0404	Polska	22 570 18 00		

Kensington and the ACCO name and design are registered trademarks of ACCO Brands. The Kensington Promise is a service mark of ACCO Brands. SoleSaver is a trade mark of ACCO Brands. All other registered and unregistered trademarks are the property of their respective owners.

©2015 Kensington Computer Products Group, a division of ACCO Brands. Any unauthorized copying, duplicating, or other reproduction of the contents hereof is prohibited without written consent from Kensington Computer Products Group. All rights reserved. 07/15



Kensington Computer Products Group
 A Division of ACCO Brands
 1500 Fashion Island Blvd, 3rd Floor
 San Mateo, CA 94404



ACCO Brands Europe
 A Division of ACCO Brands Europe
 Oxford House, Oxford Road
 Aylesbury, Buckinghamshire,
 HP21 8SZ
 United Kingdom

ACCO Brands Canada Inc
 7381 Bramalea Rd
 Mississauga,
 ON L5S 1C4

ACCO Australia
 Level 2, 8 Lord St
 Botany NSW 2019
 Australia

Importado por ACCO Mexicana
 S.A. de C.V.
 Circuito de la Industria Norte # 6,
 Corredor Industrial Toluca Lerma,
 Lerma México Cp. 52004
 R.F.C. AME640229-1W3

Acco Brands Chile S.A.,
 Avda. San Josemaría
 Escribá de Balaguer N°5773
 Vitacura, C.P. 7640870
 Santiago, Chile

Importado e Distribuído por:
 TILIBRA PRODUTOS DE PAPELARIA LTDA.
 CNPJ: 44.990.901/0001-43
 Rua Aymorés, 6-9 - Bauru/SP - Brasil
 CEP 17013-900
 www.kensington.com.br

www.kensington.com