



# DARK BASE 700

OUTSTANDING FLEXIBILITY AND SILENCE

## IDEAL APPLICATIONS

- High-end workstations and desktop PCs
- High-resolution gaming and multimedia systems
- Extremely overclocked systems
- Super silent water-cooled PCs

## HIGHLIGHTS

- Extremely versatile thanks to modular construction
- Two be quiet! SilentWings® 3 PWM fans
- Ready for water cooling radiators up to 360mm
- 4-step dual-rail fan controller
- USB 3.1 Gen 2 Type C available

### Outstanding Flexibility and Silence

The be quiet! Dark Base 700 PC case is the perfect choice for all of those who expect the highest standards when it comes to modularity, compatibility and design.

#### Highlights »

- Motherboard tray and HDD slots with enhanced possibilities for individual requirements
- Two virtually inaudible SilentWings® 3 140mm PWM fans with funnel-shaped air inlets for high air pressure
- Effective airflow system with noise-dampening vents
- 4-step dual-rail fan controller is switchable between Silence and Performance modes
- Ready for radiators up to 360mm on top, front and back
- Install fans and radiators on a provided bracket before installing it as a complete unit
- Completely sound insulated with decoupled motherboard, PSU and drives
- PSU shroud, ingenious cable routing and HDD slot covers for a neat interior
- Fully windowed side panel from tinted and tempered glass
- Exterior LEDs with six switchable colors and motherboard control option
- 3-year manufacturer's warranty
- Product conception, design and quality control in Germany

#### Dark Base 700 »

Numerous customization options for component and cable layout, illumination and cooling make every PC system one of a kind.

**+ MULTI COLOR LED**

**+ NOISE INSULATION**

**+ AIRFLOW CONTROL**

**+ SILENT WINGS**

# DARK BASE 700

OUTSTANDING FLEXIBILITY AND SILENCE

Features »



**Super flexible:** The motherboard tray can be installed alongside the left panel with redefined airflow. It is also removable for use as a bench table.



**Cooling-optimized:** The two pre-installed and virtually inaudible SilentWings® 3 PWM fans provide excellent air circulation. A removable bracket is provided to mount the optional fans or radiators on before installing the completed unit into the case. Perfect for water cooling with radiators up to 360mm.



**State-of-the art technology:** The fan controller is switchable between PWM control by the motherboard and manual 3-step mode. It can be switched between a Silence and Performance Mode and there are two separate channels to create different cooling zones. Front USB 3.1 Gen 2 Type C available.



**Elegant interior:** Stylish fully windowed side panel made of tinted and tempered glass. Ingenious cable routing concept. The five HDD covers for cable management cover the slots and make a super clean and fitted look possible inside the chassis.

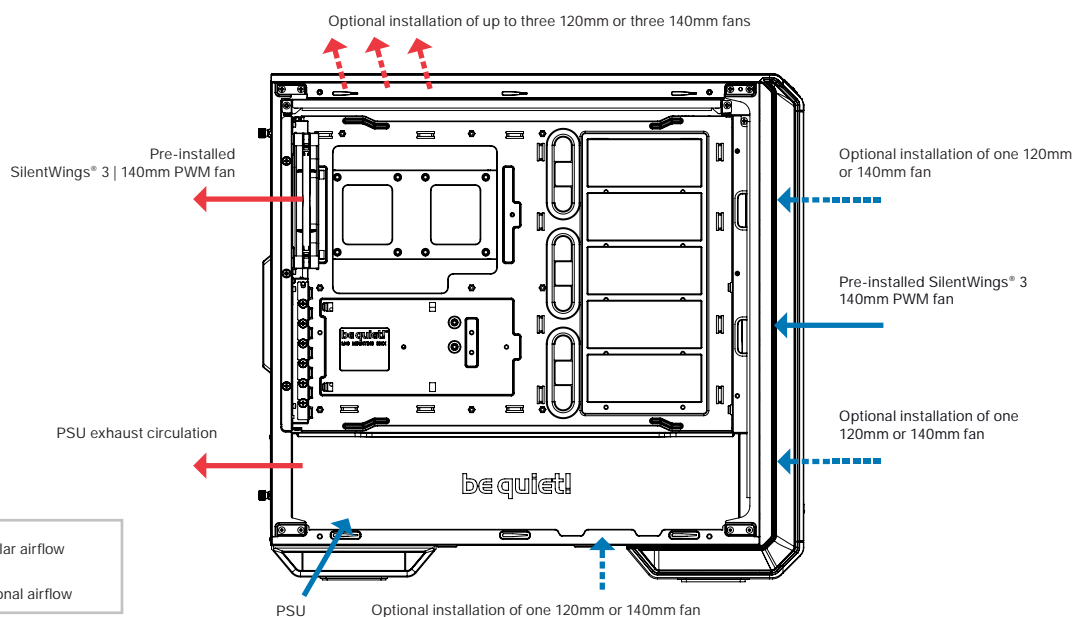


**Perfect compatibility:** Flexible installation, thanks to repositionable single HDD slots. The multifunctional PSU shroud offers space to hide drives and cables. Supports up to three HDDs or nine SSDs.



**Eye-catching LEDs:** Offering manual control via a control switch on the front panel, the exterior LED offers six colors and three modes to choose from: single color, breathing effect, and auto color changing mode. RGB LEDs can be connected to the motherboard to conveniently synchronize the case with the component illumination.

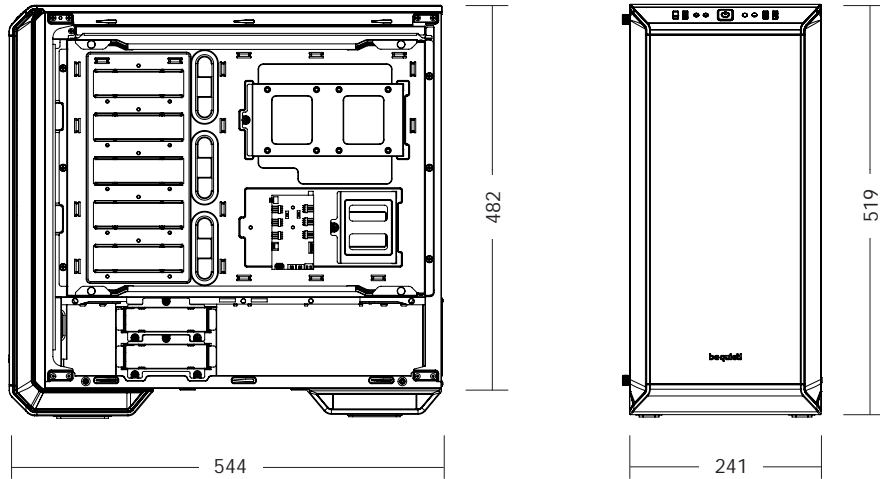
Airflow »



# DARK BASE 700

OUTSTANDING FLEXIBILITY AND SILENCE

## Dimensions (mm) »



## General Data Case »

Motherboard compatibility	E-ATX (30.5 x 27.5cm), ATX, M-ATX, Mini-ITX
Form factor PSU	ATX PS/2
Case size (L x W x H in mm)	544 x 241 x 519
Material	0.8 - 1mm steel, ABS plastic, 1.2mm aluminium, 4mm tempered glass
Weight incl. package / without package (kg)	14.37 / 13.25
I/O Panel	2x USB 3.0, 1x USB 3.1 Gen 2 Type C, HD Audio (mic + headphone jacks)
Expansion slots (pcs.)	7 + 2
RGB LED illumination	Front Panel (white, red, green, blue, orange, purple)
LEDs synchronizable with RGB controller/motherboard	✓

## Drive Bay Capacity »

3.5	7
2.5	17

## Cooling System »

Pre-installed SilentWings® 3 PWM fans (mm/rpm)	Front: 1x 140 / 1,600 Rear: 1x 140 / 1,600
Optional fans (mm)	Top: 3x 140 / 3x 120 Front: 2x 140/120 Bottom: 1x 140/120 PSU shroud: 1x 140/120
Optional liquid cooling system (radiator in mm)	Top: 120, 240, 360 Front: 120, 140, 240, 280, 360 Rear: 120, 140
Cooling solutions	Air channels (front, top, rear, bottom) 4-step dual-rail fan controller (6x 4-pin)

## Maximum Dimensions (mm) »

CPU cooler	180
PSU (without bottom fan)	285
Graphics card (standard)	286
Graphics card (w/o HDD slots)	430

## Insulation and Damping »

Sound insulation mats (top, front, side)	✓
Anti-vibration decoupled HDD / PSU / MB-tray	✓

## Logistics Data »

Product	Art. no	EAN code
Dark Base 700	BGW23	4260052185742

## Certifications »



## Contact »

Service Hotline: +49 40 7367 686 44  
(Mondays to Fridays from 9:00am to 5:30pm CET)

Mail: [service@bequiet.com](mailto:service@bequiet.com)

## + SILENT WINGS®



### Virtually inaudible cooling for your system »

The fan quality is one of the main factors contributing to the noise level of your PC. As the German specialist for outstandingly quiet computer components we have more than 10 years of experience in the field of noise reduction. That knowledge allows us to produce the quietest fans on the market.

Look for the +SilentWings Logo. It indicates our products which include our state-of-the-art fan technology and enables the perfect balance between superior cooling and serenity.