



B-TECH AV MOUNTS™

**MOUNT
BT8390 RAILS
TO A WALL**

BT8390-WFK1

SYSTEM X™

RAIL MOUNTING BRACKET - 5MM

The BT8390-WFK1 is a bracket designed to x BT8390 mounting rails onto walls, for the installation of menu boards and other multi-screen configurations. The slim yet sturdy 5mm thick plate is designed for installations using xed or tilting interface arms from the System X range and keeps the x of nished installations to a minimum.

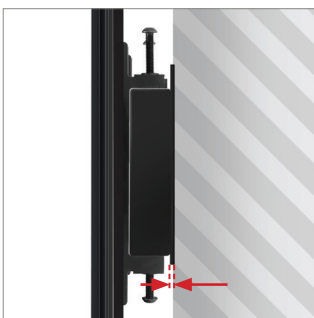
SPECIFICATION

Compatible interface arms	BT8390-VESA200F, 200T, 400F, 400T
Distance from wall (to front of rail)	35mm
Colour	Black
Brackets supplied (per pack)	1
Quantity of brackets required per rail length (landscape installs):*	
<i>Rail Length</i>	<i>Qty</i>
0 - 2000mm	2pcs
2001 - 3500mm	3pcs
3501 - 5500mm	4pcs
5501 - 7750mm	5pcs
7751 - 8500mm	6pcs

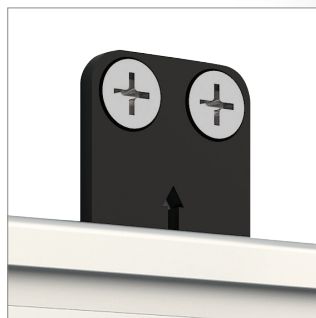
*Use B-Tech's online configuration tool to automatically calculate the quantity required based on your configuration. www.btechavmounts.com/systemx-configuration

FEATURES

- Designed to allow BT8390 horizontal rails to be mounted to the wall
- Ideal for close-to-the-wall installations, mounting rails only 5mm from the wall
- Countersunk screws sit flush with the plate for a neat installation
- All mounting hardware included



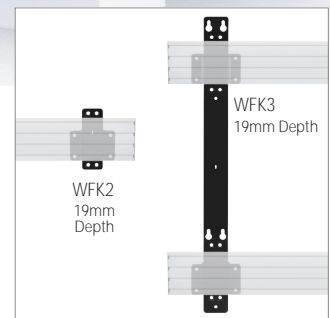
Ideal for close-to-the-wall installations, mounting rails only 5mm from the wall



Countersunk screws sit flush with the plate for a neat installation



All mounting hardware included



Alternative Rail Mounting Brackets are available, please see BT8390-WFK2 & BT8390-WFK3

