

# ControlCenter CC-3 zone controller



## Product Description

Bose® ControlCenter CC-3 zone controllers provide volume control and A/B/C/D source selection for ControlSpace® products. They are available in either black or white and fit 1-gang electrical boxes in North America, Europe, and Japan. The zone controllers use an RJ-45 connector and Cat 5 wiring for simplified wiring.

## Key Features

- **ControlCenter Series** – Remote end-user interfaces for use with Bose FreeSpace® amplifiers, PowerShare amplifiers and ControlSpace®, processors. Three control configurations offer volume control (CC-1), volume plus A/B source selection (CC-2) and volume plus A/B/C/D source selection (CC-3).
- **Variant Options** – Available in white or black and is offered in North American, Japanese, and EU form-factors to adapt to common electrical box sizes.
- **Support for Decora®-style wall plates** – North American and Japanese models are designed for use with Decora-style wall plate covers (not included). The 86×86 mm European model is supplied as a finished wall plate that supports 60 mm screw spacing.
- **Custom Labels** – Each zone controller includes a sheet of pre-printed labels, with two blanks for custom labeling.

## Technical Specifications

Electrical	
Connector	One RJ-45, TIA/EIA 568B wiring standard
Settings	None
Type	Passive controller, linear potentiometer 0- 10 kΩ and 4-position switch
Cable Requirement	Cat 5
Maximum Cable Length	152 m (500 ft), using shielded cable 30 m (100 ft), using unshielded cable
Physical	
Colors	Black or White
Electrical Box Size	1-gang
General	
Product Codes	768941-0110 ControlCenter CC-3 US Black 768941-0210 ControlCenter CC-3 US White 768941-2110 ControlCenter CC-3 EU Black 768941-2210 ControlCenter CC-3 EU White 768941-3110 ControlCenter CC-3 JP Black 768941-3210 ControlCenter CC-3 JP White
Compatible With	ControlSpace ESP-00 II engineered sound processor ControlSpace ESP-880, ESP-1240 engineered sound processors ControlSpace ESP-4120, ESP-1600 engineered sound processors
Box Contents	(1) controller, (1) color-matched pre-printed label sheet, (2) mounting screws, (1) installation guide



## Applications

- Retail stores
- Restaurants and bars
- Hospitality venues
- Religious and worship facilities
- Auxiliary zones

# ControlCenter CC-3 zone controller



## Connector Panel

**Label area:**  
For preprinted (included)  
or custom labels.

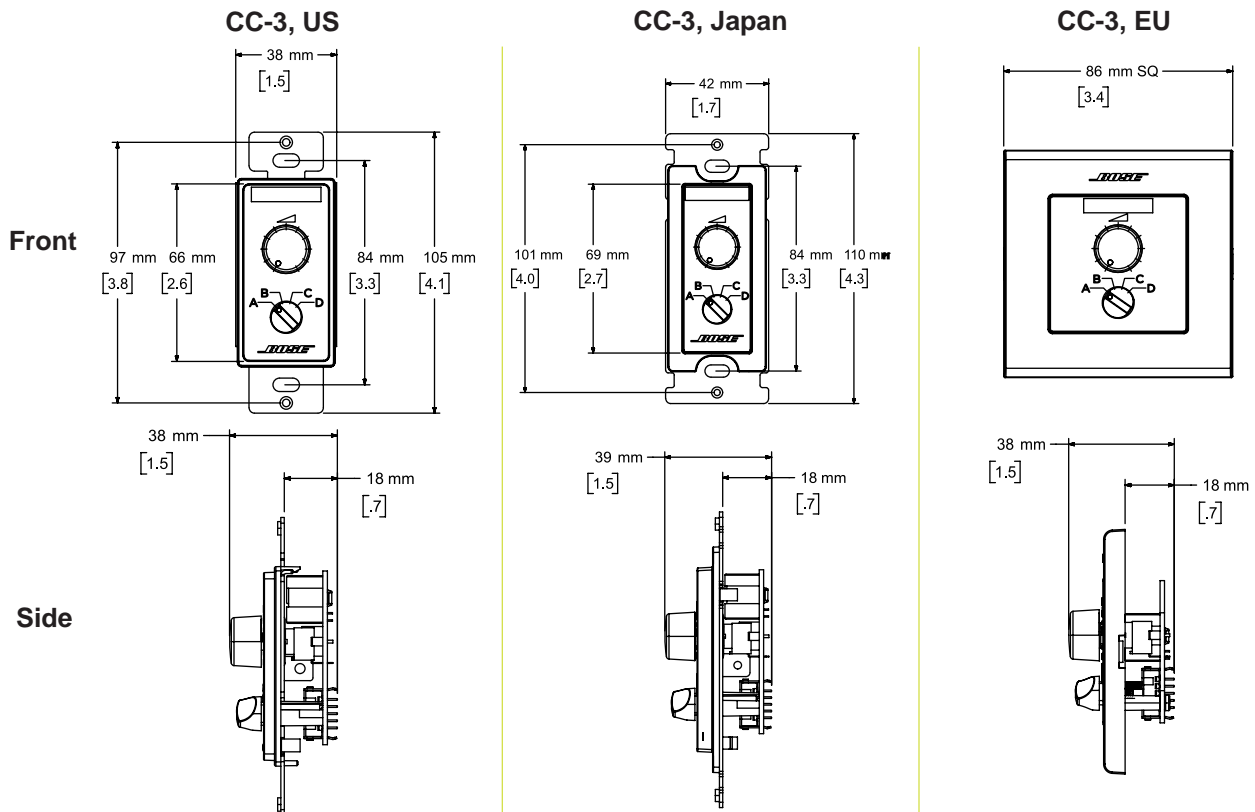
**Volume knob:**  
Linear-taper 10 k $\Omega$  potentiometer.  
Full clockwise is maximum output  
(0  $\Omega$ ), full counterclockwise is  
mute (10 k $\Omega$ ).

**Device connection:**  
RJ-45 connection for use  
with Cat 5 cable.

**Source selection switch:**  
Remote switching of  
A/B/C/D sources.



## Mechanical Files



All information subject to change without notice.  
© 2016 Bose Corporation  
All trademarks are those of their respective owners.