

FreeSpace® 3 Series I Acoustimass® bass module

BOSE

Key Features

- **Low-frequency** loudspeaker featuring one 5.25" (133mm) woofer that delivers deep, non-localized bass down to 40 Hz without audible distortion. For surface-mount applications
- **Acoustimass speaker technology** filters out audible distortion to deliver non-localized bass
- **Designed** to work with the FreeSpace 3 surface and flush satellite speakers, or existing systems where additional bass reinforcement is desired
- **Module design** allows parallel connection of multiple bass modules and can accommodate two or four FreeSpace 3 satellites per bass module
- **Selectable** 70/100V or low impedance



TECHNICAL DATA SHEET

Product Overview

The Bose® FreeSpace 3 Series I Acoustimass bass module is designed to provide surface-mount bass augmentation for new and existing background music systems. It features one 5.25" (133 mm) woofer that delivers deep bass down to 40 Hz without audible distortion.

Technical Specifications

System Performance	
Frequency Response (+/-3 dB) ¹	50 Hz - 230 Hz
Frequency Range (-10 dB) ¹	40 Hz - 315 Hz
Nominal Dispersion	Omni-directional below 200 Hz
Recommended High-Pass Filter	40 Hz high-pass filter
Loudspeaker EQ	Recommended
Overload Protection	PTC
Long-Term Power Handling ²	70/100 V: 200 W (800 W peak) mono Low impedance: 50 W (200 W peak) per channel stereo or 100 W (400 W peak) mono
Sensitivity (SPL / 1 W @ 1 m) ³	Per channel: 76 dB SPL (Mono: 79 dB SPL)
Maximum SPL @ 1 m ⁴	Per channel: 96 dB SPL (102 dB SPL peak) Mono: 102 dB SPL (108 dB SPL peak)
Nominal Impedance	5 Ω mono direct (transformer bypassed)
Transformer Taps (70/100 V)	25 W, 50 W, 100 W, 200 W
Transducers	
Driver Complement	5.25" (133 mm) dual voice coil low frequency driver
Physical	
Enclosure	High-density wood composite with solid color PVC laminate
Environmental	Indoor use only
Connectors	Screw terminal
Suspension / Mounting	Wall bracket included (attached to module)
Dimensions	14.0" H x 7.5" W x 13.5" D (356 mm x 191 mm x 342 mm) Width, bracket attached: 8.8" (222 mm)
Net Weight	17.5 lb (7.9 kg) - with bracket
Shipping Weight	25.0 lb (11.3 kg)
Product Code	
Black	040146
White	040145

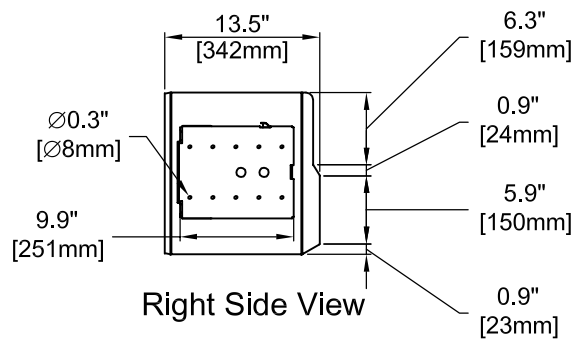
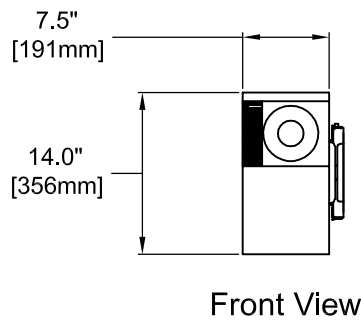
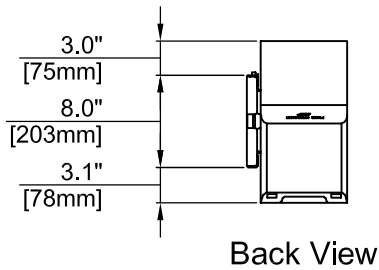
Footnotes:

- ¹ Frequency response and range measured on-axis with recommended active EQ in an anechoic environment.
- ² Power handling tested using pink noise filtered to meet IEC 268-5, 6 dB crest factor, 100 hours, with recommended EQ.
- ³ Sensitivity measured in free field (no boundary-loading gain) with recommended active EQ, referenced to 1W/1m.
- ⁴ Maximum SPL calculated from sensitivity and power handling specifications, exclusive of power compression.

FreeSpace[®] 3 Series I Acoustimass[®] bass module



Mechanical Diagrams



FreeSpace® 3 Series I Acoustimass® bass module



Architects' and Engineers' Specifications

The low-frequency loudspeaker module shall be a 200 watt ported loudspeaker containing one 5.25" (133 mm) dual voice coil low-frequency driver. The module shall have an input impedance of 5 ohms for direct connection to unequaled low impedance amplifier sources. Jumper wires shall integrate the multi-tap transformer for use of the loudspeaker in 70V or 100V systems. The transformer shall offer multiple taps of 25, 50, 100, and 200 watts.

The input connector shall consist of a spring-type barrier connector for the 70/100V inputs, and a screw-type barrier strip for direct 4-8 ohm input. Wire jumpers for transformer settings shall be provided. The input panel shall be preconfigured for 70/100V, 200 watts mono operation. A removable rear connections cover shall shield all input and jumper connections. The enclosure shall be composed of high-density wood composite with solid color PVC laminate, black or white.

The loudspeaker shall be called the Bose® FreeSpace® 3 Acoustimass® module.