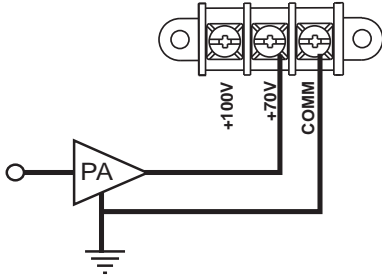


How to Modify FreeSpace 3 Wiring

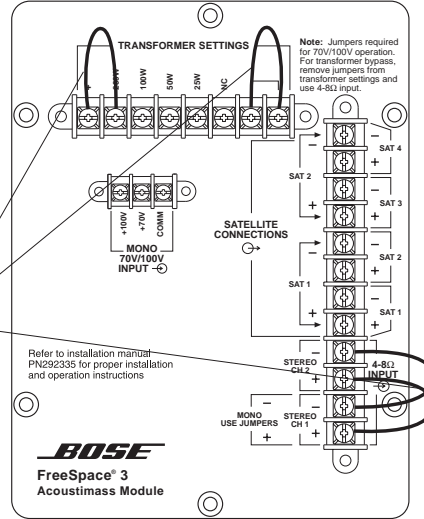
This application note illustrates how to connect an Acoustimass® bass module in three common installations.

I. Use of Transformer

Connecting an amplifier output to a single module in a 70V configuration:



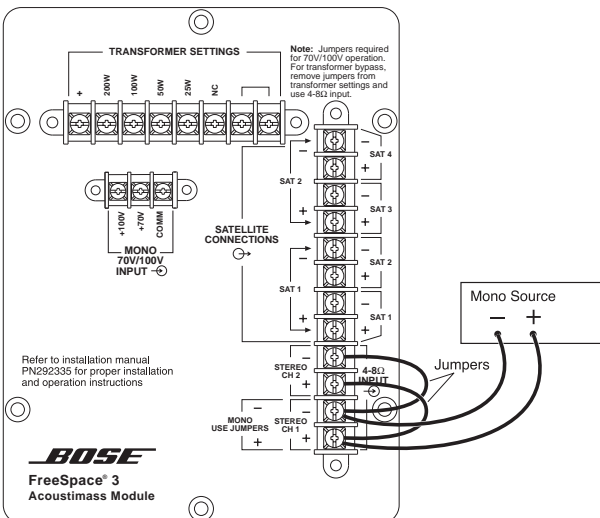
Jumpers in the factory-installed configuration for 200W use.



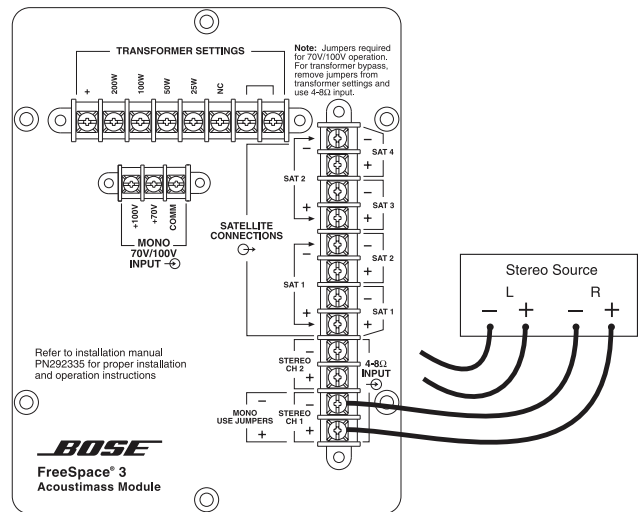
The transformer tap setting from the factory is for 200W use. To set it for lower wattage, remove the end of the '+' jumper wire connected to 200W and reattach it to the appropriate tap (100W, 50W or 25W).

II. Use of Direct Mode (Transformer Bypass)

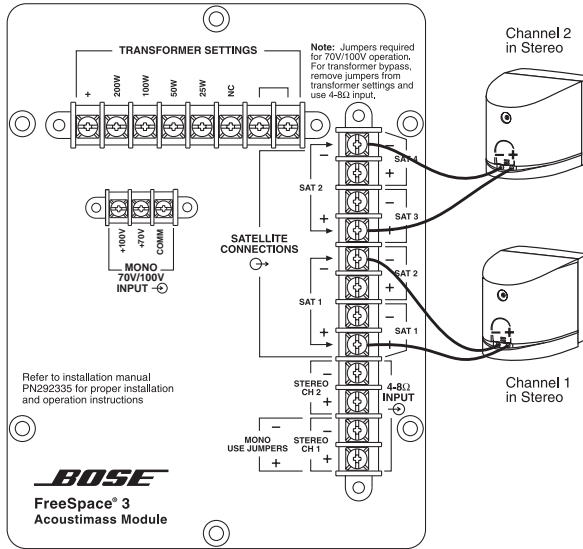
Connecting a **mono source** with the transformer bypassed:



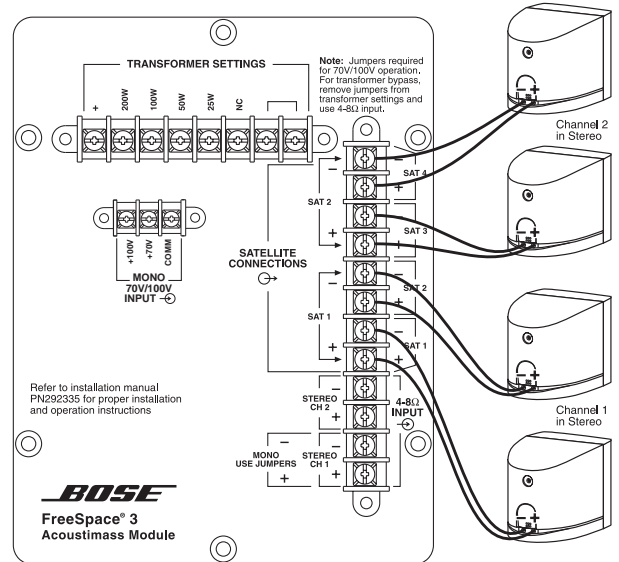
Connecting a **stereo source** with the transformer bypassed:



III. Wiring Satellites to the Module (with or without Transformer)



Using 2 satellite speakers



Using 4 satellite speakers with direct connections

For additional information on the FreeSpace 3 systems see the FreeSpace 3 Design Application note, or the FreeSpace 3 Installation Guide.