



# BT7052

## Ø50MM ACCESSORY COLLAR WITH COVERS

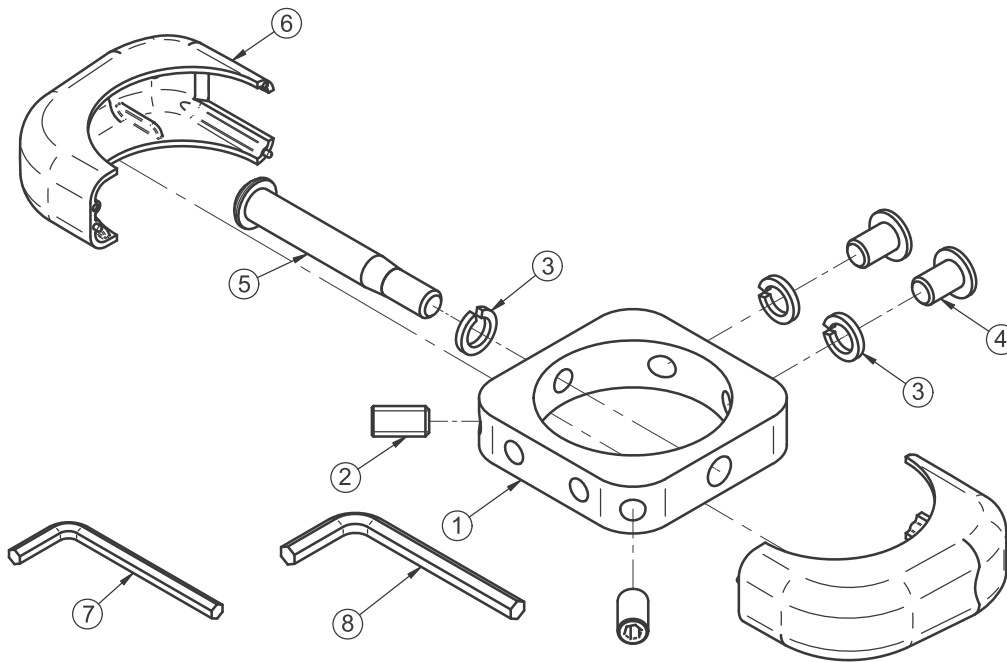
This Pack Contains 1 Collar with Covers

PLEASE KEEP THIS FOR FUTURE REFERENCE



### FEATURES

- Accessory collar for use with Ø50mm (2") poles
- Provides attachment for B-Tech modulus system mounts
- Aesthetic cover plates included to hide fasteners

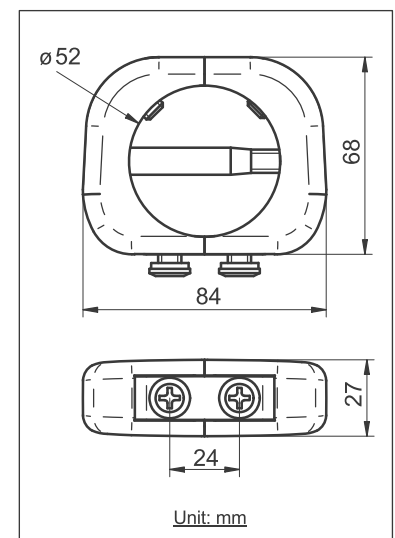
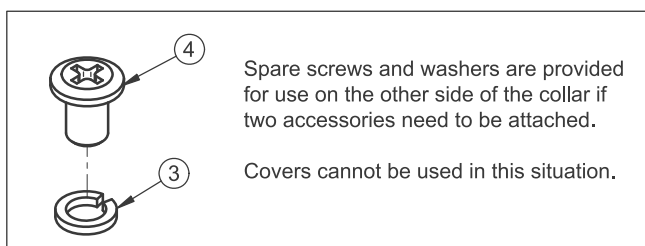


### PARTS LIST

No	PART NAME	QTY
1	BT7052 COLLAR	1
2	M8 X 15mm GRUB SCREWS	2
3	M8 SPRING WASHER	5
4	M8 X 12mm FLAT CROSS HEAD SCREW	4
5	M8 X 65mm SAFETY BOLT	1
6	BT7052 COLLAR COVER HALF	2
7	4mm ALLEN KEY	1
8	5mm ALLEN KEY	1

#### Attention!

Ensure safety bolt (Part 5) is in place before any AV equipment is fitted



## B-TECH AV MOUNTS

HEAD OFFICE

B-Tech International Limited

Bennett House, Long March, Daventry, Northants., NN11 4NR, UK

Email: info@btechavmounts.com

©2018 B-Tech International Design and Manufacturing Limited. All rights reserved. B-Tech AV Mounts is a division of B-Tech International Design & Manufacturing Ltd. B-Tech, Better By Design and System 2 are registered trademarks of B-Tech International Design & Manufacturing Ltd. All other brands and product names are trademarks of their respective owners. Photographs are for illustrative purposes only EO&E. B-Tech International Design & Manufacturing Ltd, its distributors and dealers are not responsible for damage or injury caused by improper installation, improper use, modifications, installations over the specified weight capacity and/or failure to observe these safety instructions. In such cases, any warranty will expire. It is recommended that this product should only be installed by a qualified professional / installer. For indoor use only. B-Tech does not claim any liability for any difficulties that may arise from the interpretation contained in these instructions. Failure to mount this product correctly may lead to serious injury and/or death. Please check carefully to make sure there are no missing or defective parts - defective parts must never be used. In the event of missing and/or defective parts, or technical questions, please contact an authorised dealer.

[www.btechavmounts.com](http://www.btechavmounts.com)

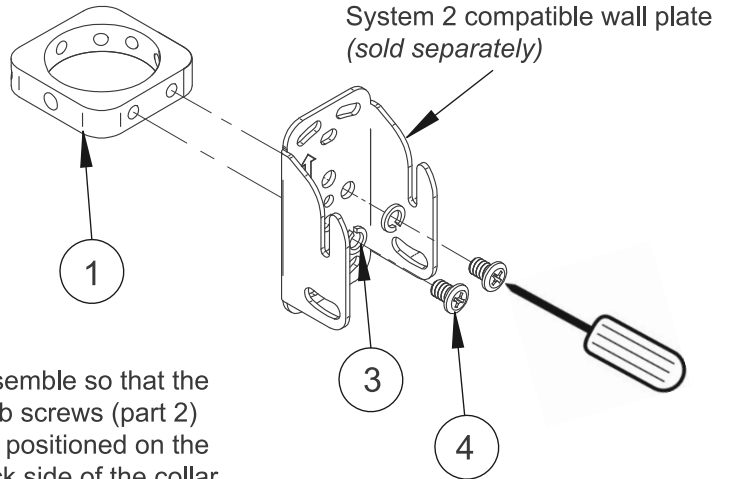
AMA-BT7052-V1.1-PROBX-0918-03 MADE IN P.R.C.

# Ø50MM POLE INSTALLATION



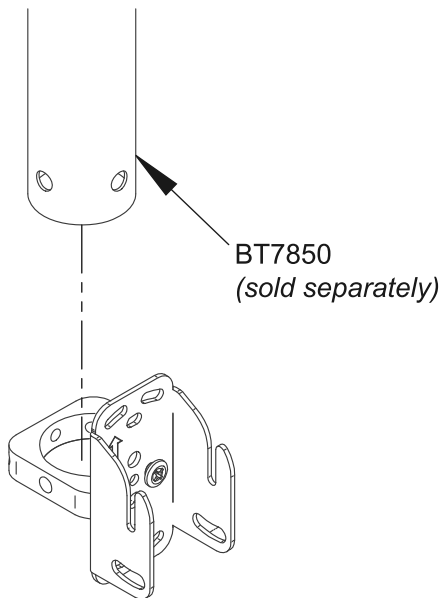
This product is compatible with the System 2 range of professional install products from B-Tech

## 1 Attach collar to wall plate

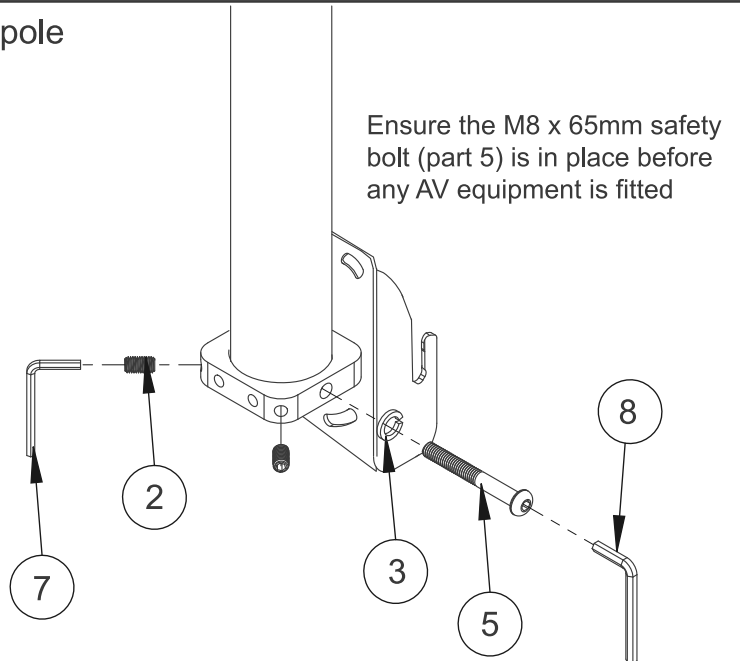


Assemble so that the grub screws (part 2) are positioned on the back side of the collar

## 2 Attach collar and wall plate to a Ø50mm pole

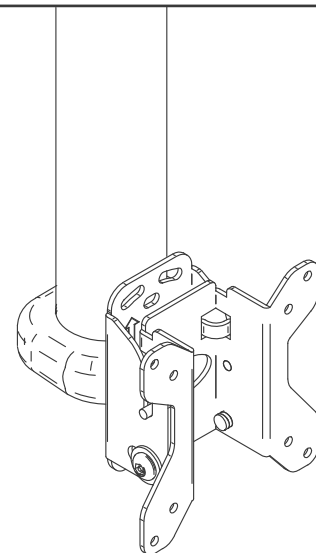
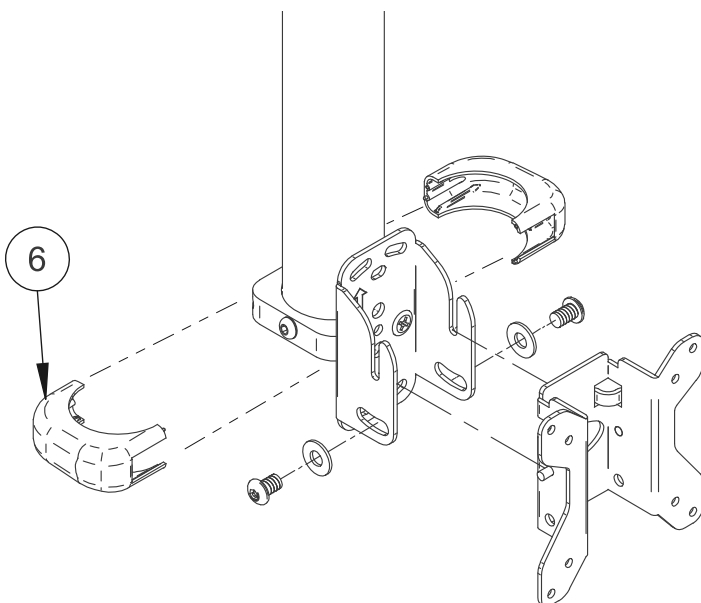


BT7850  
(sold separately)



Ensure the M8 x 65mm safety bolt (part 5) is in place before any AV equipment is fitted

## 3 Add covers and mount interface



Collar covers (part 6) cannot be used when mounting items back-to-back