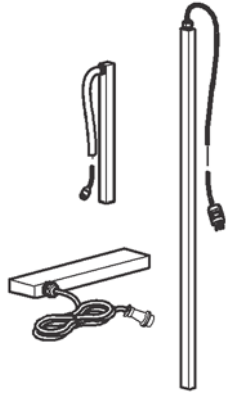


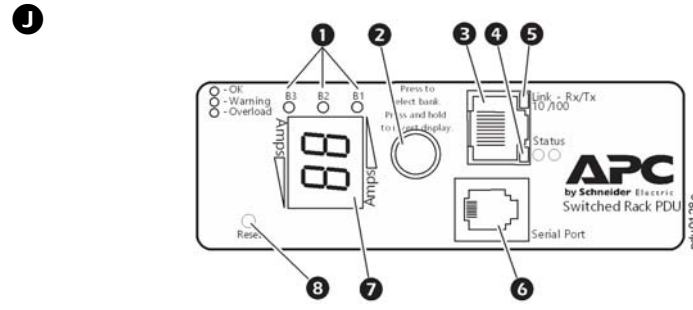
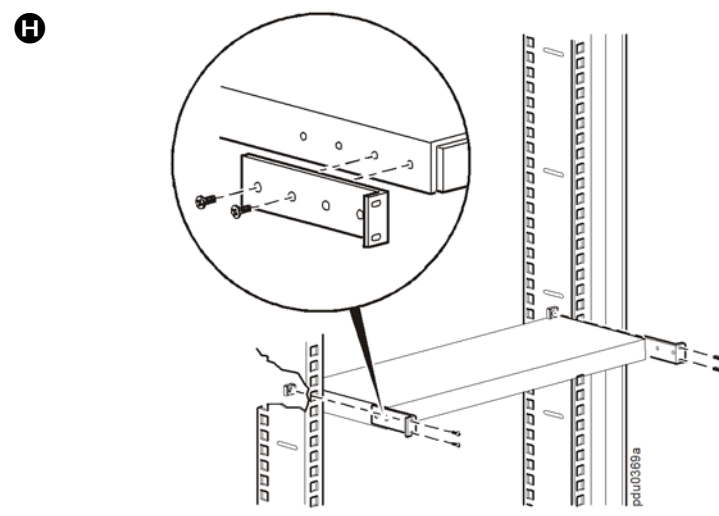
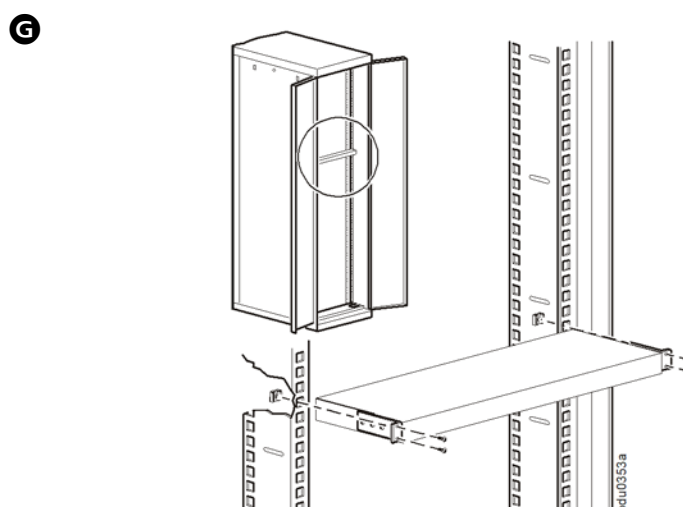
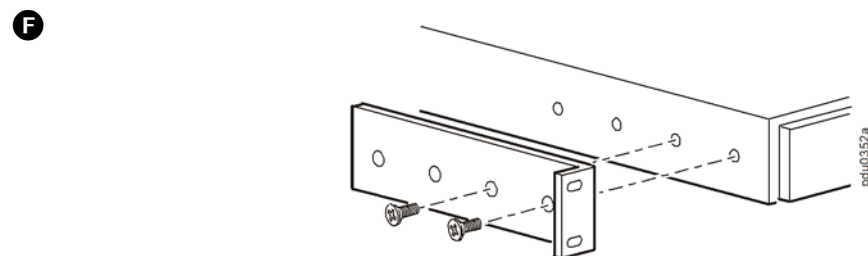
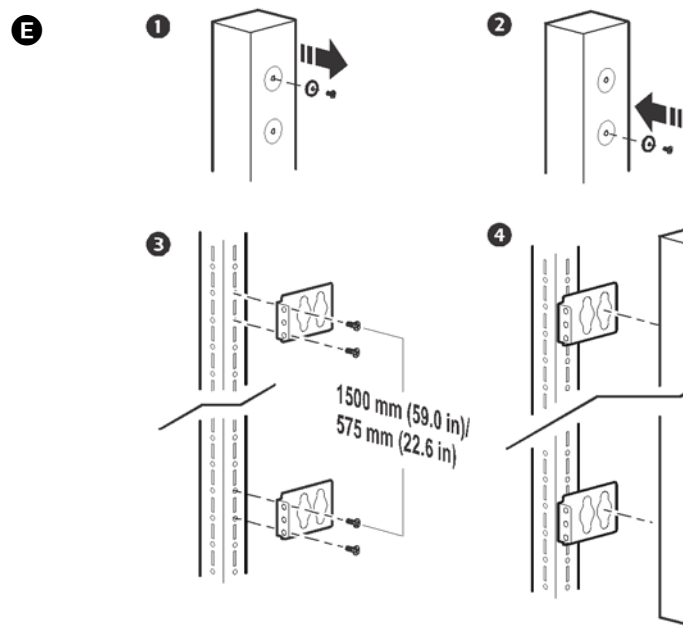
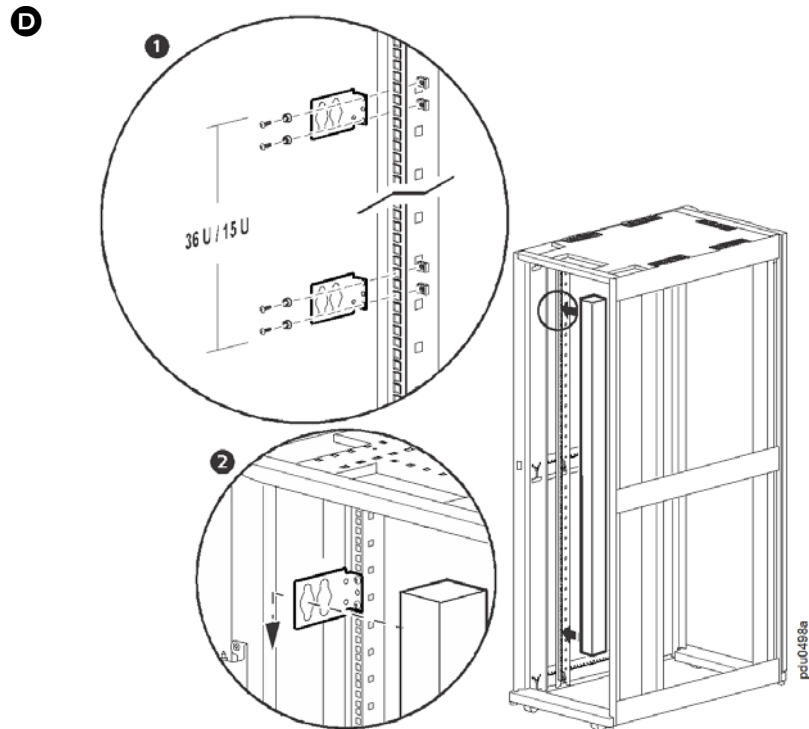
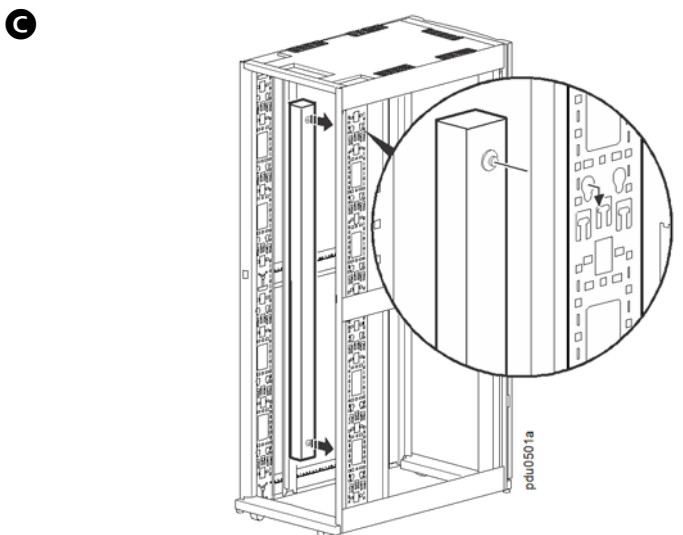
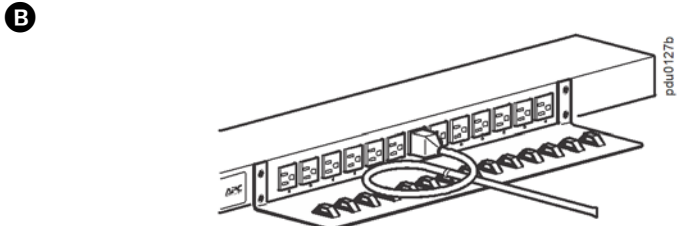
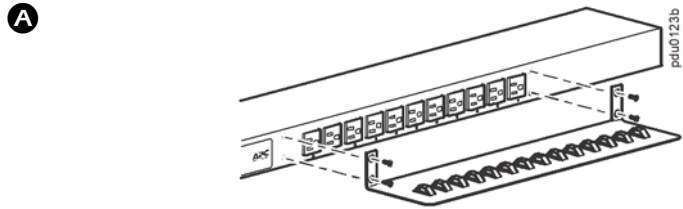
Rack Power Distribution Unit Installation Instructions



Customer support and warranty information is available at www.apc.com.

© 2019 APC by Schneider Electric. All rights reserved. APC, the APC logo and NetShelter are owned by Schneider Electric SE. All other brands property of their respective owners.

990-9944A-001
6/2019



General Information

This section contains installation information for the following equipment: AP7800B, AP7801B, AP7802B, AP7802BJ, AP7811B, AP7820B, AP7821B, AP7822B, AP7850B, AP7869B, AP7899B, AP7900B, AP7901B, AP7902B, AP7902BJ, AP7911B, AP7920B, AP7921B, AP7922B, AP7950B, AP7968B, AP7998B

Additional Resources

The *Rack PDU User Guide* contains complete operation and configuration information. Additional documentation and downloadable software and firmware is available on the applicable product page on the website www.apc.com. To quickly find a product page, enter the product name or part number in the Search field.

Inventory

Quantity	Item
1	Configuration Cable
3	Cable retention trays with 12 flat head screws and 24 wire ties
2	Vertical mounting brackets with 4 pan head screws

Safety

⚠ ⚠ DANGER

HAZARD OF ELECTRIC SHOCK, EXPLOSION, OR ARC FLASH

- This PDU is intended for indoor use only.
- Do not install this PDU where excessive moisture or heat is present.
- Never install any wiring, equipment, or PDUs during a lightning storm.
- Plug this PDU into a three-wire, grounded power outlet only. The power outlet must be connected to appropriate branch circuit/mains protection (fuse or circuit breaker). Connection to any other type of power outlet may result in a shock hazard.
- Use only the supplied brackets for mounting, and use only the supplied hardware to attach the mounting brackets.
- Do not use extension cords or adapters with this PDU.
- If a socket-outlet is not accessible to the equipment, a socket-outlet shall be installed.
- Do not work alone under hazardous conditions.
- Check that the power cord, plug, and socket are in good condition.
- Disconnect the PDU from the power outlet before you install or connect equipment to reduce the risk of electric shock when you cannot verify grounding. Reconnect the PDU to the power outlet only after you make all connections.
- Use a protective earth connector with equipment. This type of connector carries the leakage current from the load devices (computer equipment). Do not exceed a total leakage current of 3.5 mA.
- Do not handle any kind of metallic connector before the power has been removed.
- Use one hand, whenever possible, to connect or disconnect signal cables to avoid a possible shock from touching two surfaces with different grounds.
- This unit does not have any user-serviceable parts. Repairs are to be performed only by factory-trained service personnel.

Failure to follow these instructions will result in death or serious injury.

Installation

A Attach the cord retention trays

Attach the cord retention trays to the PDU, using four flat-head screws (provided) per tray.

B Attach cords to the tray

Attach a cord to the tray by looping the cord and securing it to the tray, using a wire tie (provided). Secure each cord to the tray so that you can unplug it from the PDU without removing the wire tie.

Vertical Mounting

C Toolless mounting:

NetShelter™ cabinet. In one vertical 0U accessory channel, you can mount two full-length Rack PDUs or four half-length Rack PDUs

D Brackets:

Standard EIA-310 cabinet. Secure brackets to the back of the rear vertical rails using hardware included with your cabinet. Required U-space for brackets:

- Full-length Rack PDU: 36 U
- Half-length Rack PDU: 15 U

E Mounting the Rack PDU in a third-party enclosure

⚠ ⚠ DANGER

HAZARD OF ELECTRIC SHOCK, EXPLOSION, OR ARC FLASH

To avoid possible electrical shock and equipment damage, use only the supplied hardware.

Failure to follow these instructions will result in death or serious injury.

Bracket spacing:

- Full-length Rack PDU: 1500 mm (59.0 in)
- Half-length Rack PDU: 575 mm (22.6 in)

Horizontal Mounting

You can mount the PDU in a 19-inch NetShelter or other EIA-310-D standard 19-inch rack:

- Choose a mounting position for the PDU with either the display or the rear facing out of the enclosure.
- F** Attach the mounting brackets to the PDU, using the flat-head screws (provided).
- G** Choose a location for the unit: The unit occupies one U-space. A notched hole (or a number, on newer enclosures) on the enclosure's vertical rail indicates the middle of a U-space.
 - Insert cage nuts (provided with the enclosure) above and below a notched hole on each vertical mounting rail in your chosen location.
 - Align the mounting holes of the brackets with the installed cage nuts. Insert and tighten screws.

H Recessed horizontal mounting

You can mount the PDU in a recessed configuration by attaching the brackets as shown in the illustration.

The Display Interface

Configuring network settings and accessing the Rack PDU

The Rack PDU is DHCP compatible. Connect the network cable to the network port (3) and then apply power to the unit. When the status LED (4) for the network connection is solid green, perform the following to display the IP address. (If your network does not use a DHCP server, see the *User Guide* for your Rack PDU for details on other methods for configuring the TCP/IP settings.)

- Press and hold the Control button (2) until "IP" appears on the display (7).
- Release the Control Button and the IPv4 address will be scrolled across the display twice.

To access the Web User Interface (Web UI), enter `https://<your IP address>` in your Web browser address field. You will be prompted for a user name and password. Enter the default **apc** for each to log on, then change the default password as directed. It is recommended that you use strong passwords which conform to your company's password requirements.

You may receive a message that the Web page is not secure. This is normal, and you can continue to the Web UI. The warning is generated because your Web browser does not recognize the default certificate used for encryption over HTTPS. However, information transmitted over HTTPS is still encrypted. See the Security Handbook on www.apc.com for more details on HTTPS and instructions to resolve the warning.

1	Bank/phase indicator LEDs: <ul style="list-style-type: none"> Indicate the bank/phase corresponding to the current listed in the digital display. Indicate normal (green), warning (yellow), or alarm (red) condition. NOTE: If all indicator LEDs are lit, the Rack PDU is in use at its maximum capacity.
2	Control button: <ul style="list-style-type: none"> Press to change the bank/phase of the current displayed on the digital display. Press and hold for ten seconds to view the orientation of the display; hold for an additional five seconds to change the orientation.
3	Ethernet port: Connects the PDU to your network, using a CAT5 network cable.
4	Status LED: Indicates the status of the Ethernet LAN connection and the state of the PDU. <ul style="list-style-type: none"> Off—The PDU has no power. Solid green—The PDU has valid TCP/IP settings. Flashing green—The PDU does not have valid TCP/IP settings. Solid orange—A hardware failure has been detected in the PDU. Contact Customer Support at a phone number on the back cover of this manual. Flashing orange—The PDU is making BOOTP requests.
5	Link LED: Indicates whether there is activity on the network.
6	Serial port: Access internal menus by connecting this port (RJ-11 modular port) to a serial port on your computer, using the supplied serial cable (part number 940-0144).
7	Display of the current used by the PDU and attached devices: <ul style="list-style-type: none"> Shows the aggregate current for the bank/phase corresponding to the Bank/Phase Indicator LED that is illuminated. Cycles through the banks/phases in 3-second intervals.
8	Reset switch: Resets the PDU without affecting the outlets.

Two-Year Factory Warranty

This warranty applies only to the products you purchase for your use in accordance with this manual.

Terms of warranty

APC by Schneider Electric warrants its products to be free from defects in materials and workmanship for a period of two years from the date of purchase. APC by Schneider Electric will repair or replace defective products covered by this warranty. This warranty does not apply to equipment that has been damaged by accident, negligence or misapplication or has been altered or modified in any way. Repair or replacement of a defective product or part thereof does not extend the original warranty period. Any parts furnished under this warranty may be new or factory-remanufactured.

Non-transferable warranty

This warranty extends only to the original purchaser who must have properly registered the product. The product may be registered at www.apc.com.

Exclusions

APC by Schneider Electric shall not be liable under the warranty if its testing and examination disclose that the alleged defect in the product does not exist or was caused by end user's or any third person's misuse, negligence, improper installation or testing. Further, APC by Schneider Electric shall not be liable under the warranty for unauthorized attempts to repair or modify wrong or inadequate electrical voltage or connection, inappropriate on-site operation conditions, corrosive atmosphere, repair, installation, exposure to the elements, Acts of God, fire, theft, or installation contrary to APC by Schneider Electric recommendations or specifications or in any event if the APC by Schneider Electric serial number has been altered, defaced, or removed, or any other cause beyond the range of the intended use.

THERE ARE NO WARRANTIES, EXPRESSED OR IMPLIED, BY OPERATION OF LAW OR OTHERWISE, OF PRODUCTS SOLD, SERVICED OR FURNISHED UNDER THIS AGREEMENT OR IN CONNECTION HERewith. APC by SCHNEIDER ELECTRIC DISCLAIMS ALL IMPLIED WARRANTIES OF MERCHANTABILITY, SATISFACTION AND FITNESS FOR A PARTICULAR PURPOSE. APC by SCHNEIDER ELECTRIC EXPRESS WARRANTIES WILL NOT BE ENLARGED, DIMINISHED, OR AFFECTED BY AND NO OBLIGATION OR LIABILITY WILL ARISE OUT OF, APC by SCHNEIDER ELECTRIC RENDERING OF TECHNICAL OR OTHER ADVICE OR SERVICE IN CONNECTION WITH THE PRODUCTS. THE FOREGOING WARRANTIES AND REMEDIES ARE EXCLUSIVE AND IN LIEU OF ALL OTHER WARRANTIES AND REMEDIES. THE WARRANTIES SET FORTH ABOVE CONSTITUTE APC by SCHNEIDER ELECTRIC'S SOLE LIABILITY AND PURCHASER'S EXCLUSIVE REMEDY FOR ANY BREACH OF SUCH WARRANTIES. APC by SCHNEIDER ELECTRIC WARRANTIES EXTEND ONLY TO PURCHASER AND ARE NOT EXTENDED TO ANY THIRD PARTIES.

IN NO EVENT SHALL APC by SCHNEIDER ELECTRIC, ITS OFFICERS, DIRECTORS, AFFILIATES OR EMPLOYEES BE LIABLE FOR ANY FORM OF INDIRECT, SPECIAL, CONSEQUENTIAL OR PUNITIVE DAMAGES, ARISING OUT OF THE USE, SERVICE OR INSTALLATION, OF THE PRODUCTS, WHETHER SUCH DAMAGES ARISE IN CONTRACT OR TORT, IRRESPECTIVE OF FAULT, NEGLIGENCE OR STRICT LIABILITY OR WHETHER APC by SCHNEIDER ELECTRIC HAS BEEN ADVISED IN ADVANCE OF THE POSSIBILITY OF SUCH DAMAGES. SPECIFICALLY, APC by SCHNEIDER ELECTRIC IS NOT LIABLE FOR ANY COSTS, SUCH AS LOST PROFITS OR REVENUE, LOSS OF EQUIPMENT, LOSS OF USE OF EQUIPMENT, LOSS OF SOFTWARE, LOSS OF DATA, COSTS OF SUBSTITUTES, CLAIMS BY THIRD PARTIES, OR OTHERWISE. NO SALESMAN, EMPLOYEE OR AGENT OF APC by SCHNEIDER ELECTRIC IS AUTHORIZED TO ADD TO OR VARY THE TERMS OF THIS WARRANTY. WARRANTY TERMS MAY BE MODIFIED, IF AT ALL, ONLY IN WRITING SIGNED BY AN APC by SCHNEIDER ELECTRIC OFFICER AND LEGAL DEPARTMENT.

Warranty claims

Customers with warranty claims issues may access the APC by Schneider Electric customer support network through the Support page of the APC by Schneider Electric website, www.apc.com/support. Select your country from the country selection pull-down menu at the top of the page. Select the Support tab to obtain contact information for customer support in your region.