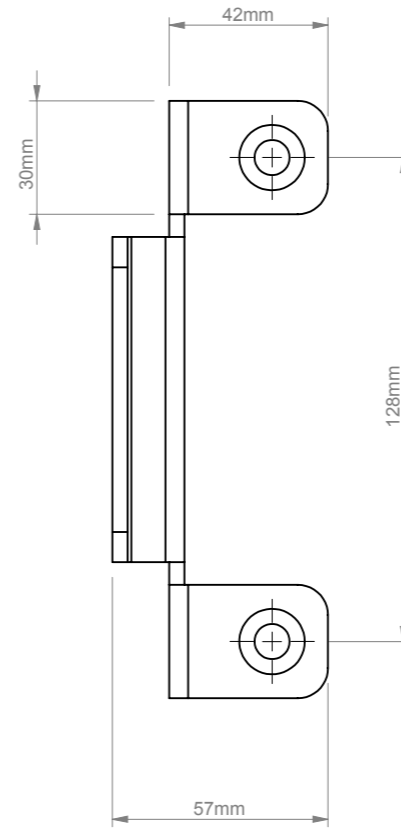
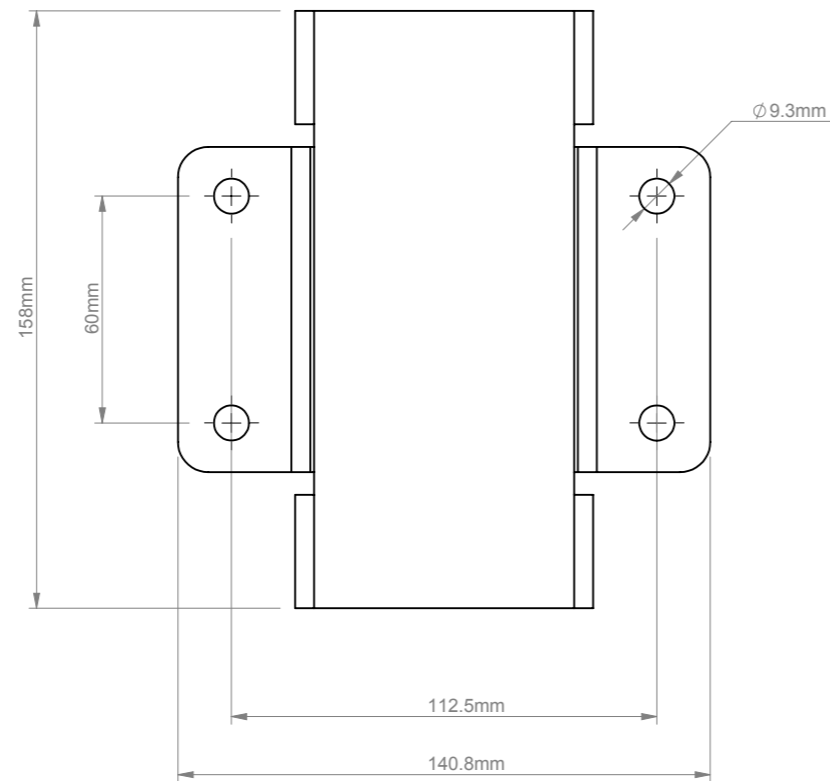
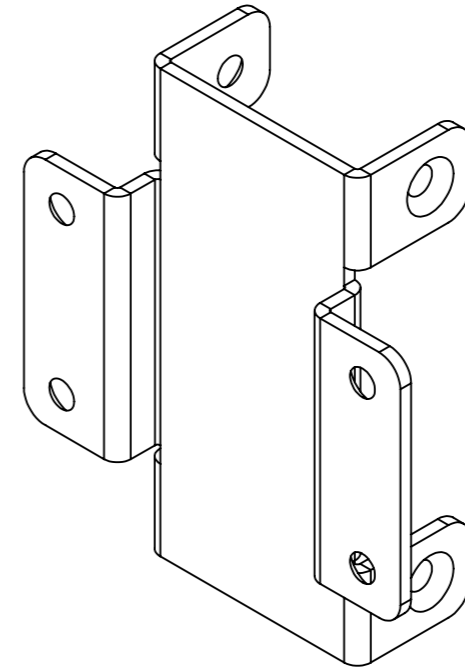
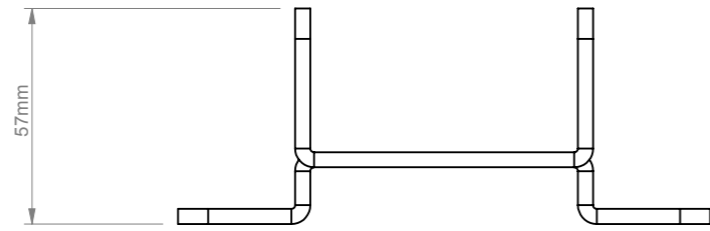



THE INFORMATION CONTAINED IN THIS DRAWING IS THE SOLE PROPERTY OF B-TECH INTERNATIONAL DESIGN AND MANUFACTURING LIMITED, ANY REPRODUCTION IN PART OR WHOLE WITHOUT THE WRITTEN PERMISSION OF B-TECH INTERNATIONAL DESIGN AND MANUFACTURING LIMITED IS PROHIBITED.



B-Tech International Design and Manufacturing Limited		B-Tech No: BT8380-JPK
Part of the B-Tech International Group of Companies		Version: V1.0
	UNLESS OTHERWISE SPECIFIED DIMENSIONS ARE IN MILLIMETERS	Title: Vertical To Horizontal Connector
	Size: A3	Revision: 0.0
Sheet: 1 of 1	Date: 10/27/2015	File Name: BTD-BT8380-JPK-R0.0