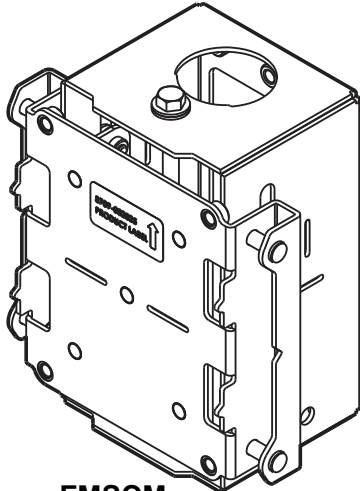
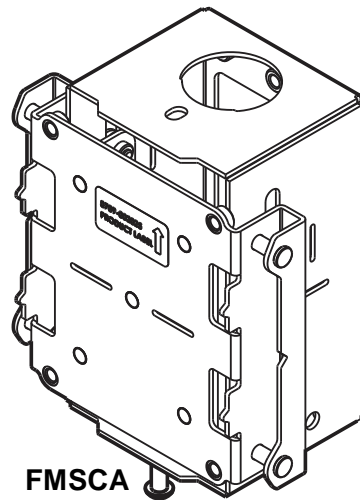

INSTALLATION INSTRUCTIONS



FMSCM



FMSCA

Fusion Modular Ceiling Heads

DISCLAIMER

Milestone AV Technologies and its affiliated corporations and subsidiaries (collectively "Milestone"), intend to make this manual accurate and complete. However, Milestone makes no claim that the information contained herein covers all details, conditions or variations, nor does it provide for every possible contingency in connection with the installation or use of this product. The information contained in this document is subject to change without notice or obligation of any kind. Milestone makes no representation of warranty, expressed or implied, regarding the information contained herein. Milestone assumes no responsibility for accuracy, completeness or sufficiency of the information contained in this document.

Chief® is a registered trademark of Milestone AV Technologies. All rights reserved.

DEFINITIONS

MOUNTING SYSTEM: A MOUNTING SYSTEM is the primary Chief product to which an accessory and/or component is attached.

ACCESSORY: AN ACCESSORY is the secondary Chief product which is attached to a primary Chief product, and may have a component attached or setting on it.

COMPONENT: A COMPONENT is an audiovisual item designed to be attached or resting on an accessory or mounting system such as a video camera, CPU, screen, display, projector, etc.



WARNING: A WARNING alerts you to the possibility of serious injury or death if you do not follow the instructions.



CAUTION: A CAUTION alerts you to the possibility of damage or destruction of equipment if you do not follow the corresponding instructions.



IMPORTANT SAFETY INSTRUCTIONS



WARNING: Failure to read, thoroughly understand, and follow all instructions can result in serious personal injury, damage to equipment, or voiding of factory warranty! It is the installer's responsibility to make sure all mounting systems / accessories are properly assembled and installed using the instructions provided.

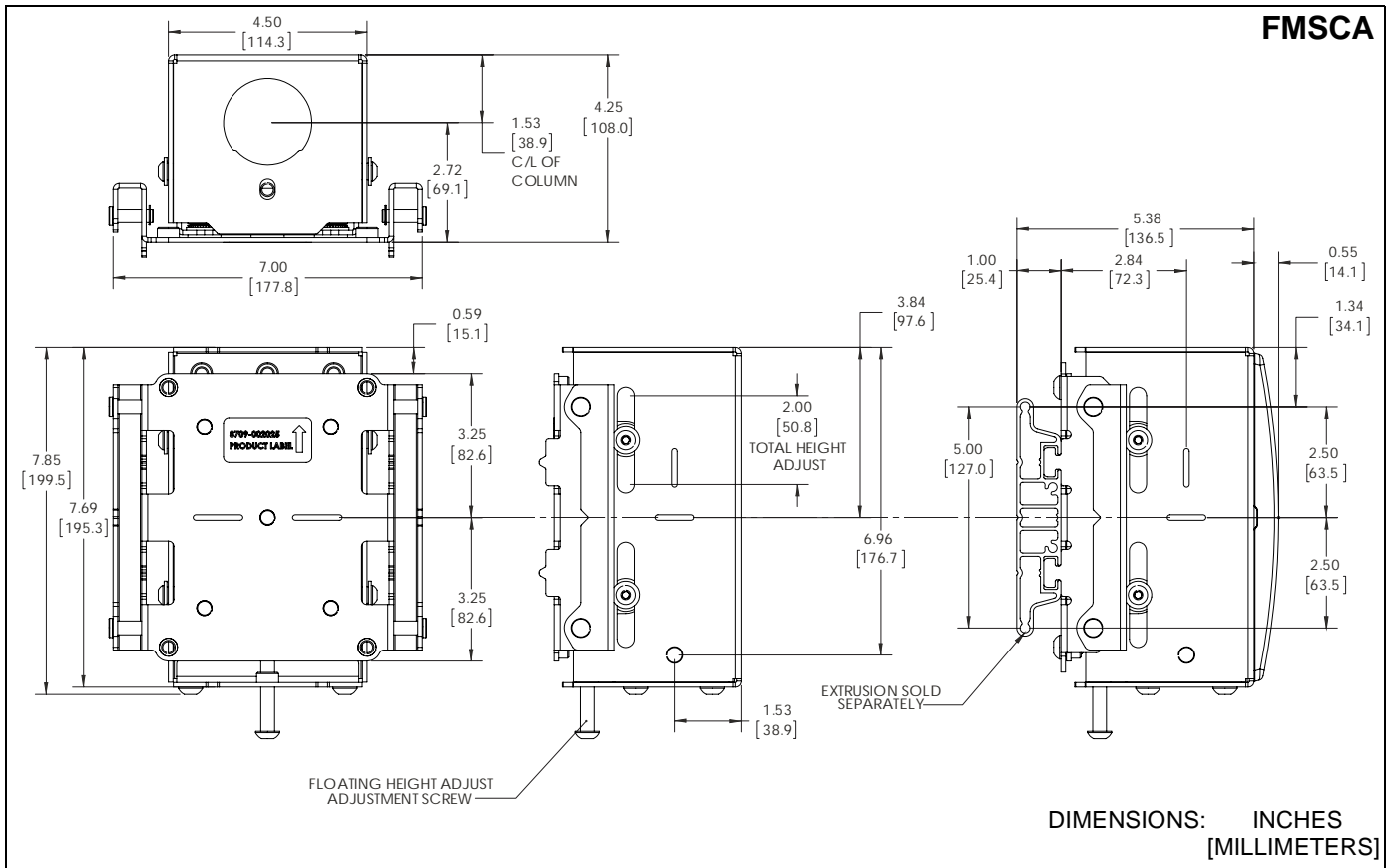
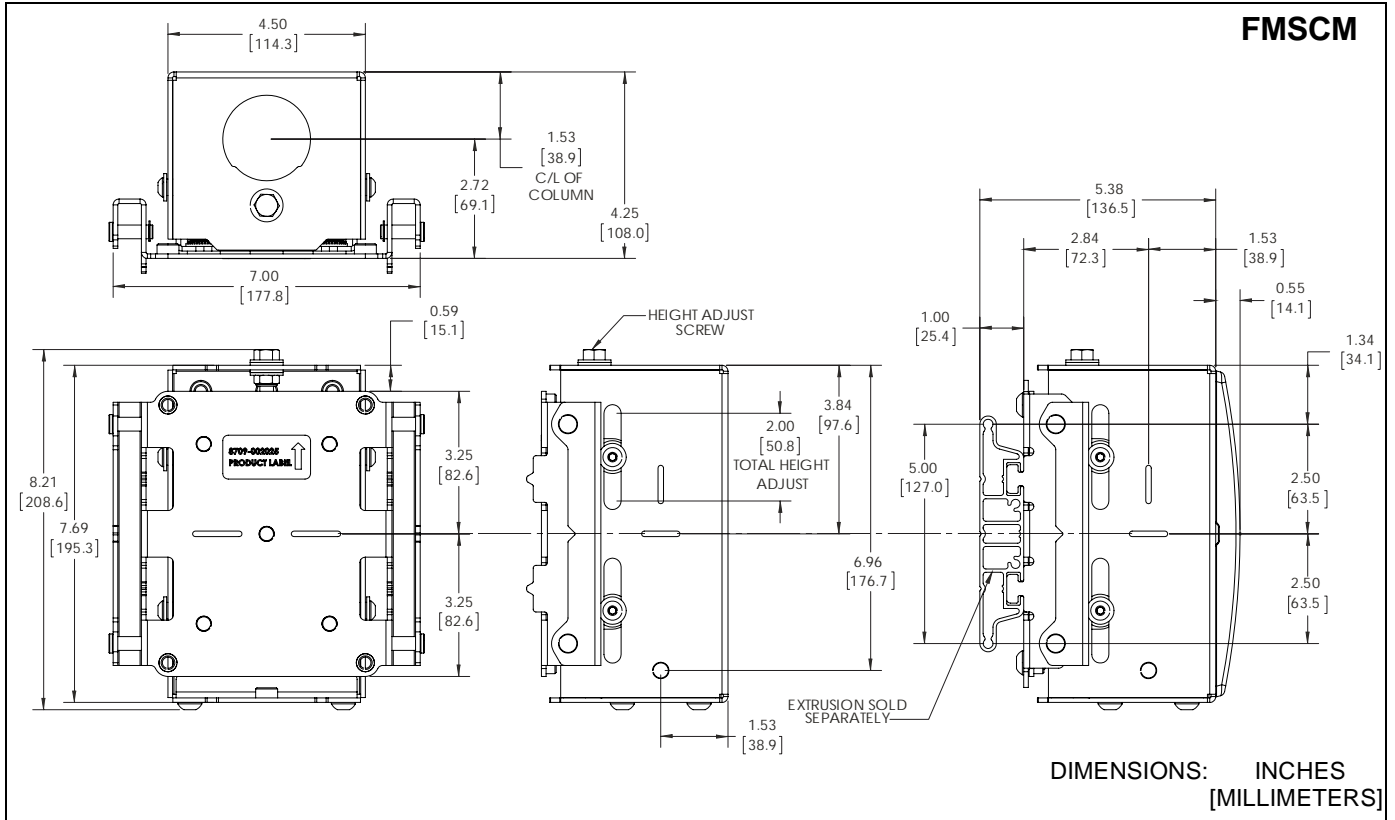


WARNING: Exceeding the weight capacity can result in serious personal injury or damage to equipment! It is the installer's responsibility to make sure the combined weight of all components attached to mounting system does not exceed the weight capacity listed in the **Fusion Modular Systems installation instructions**.



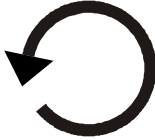









IMPORTANT ! : These installation instructions must be used in conjunction with the **Fusion Modular Systems** installation instructions.

--SAVE THESE INSTRUCTIONS--

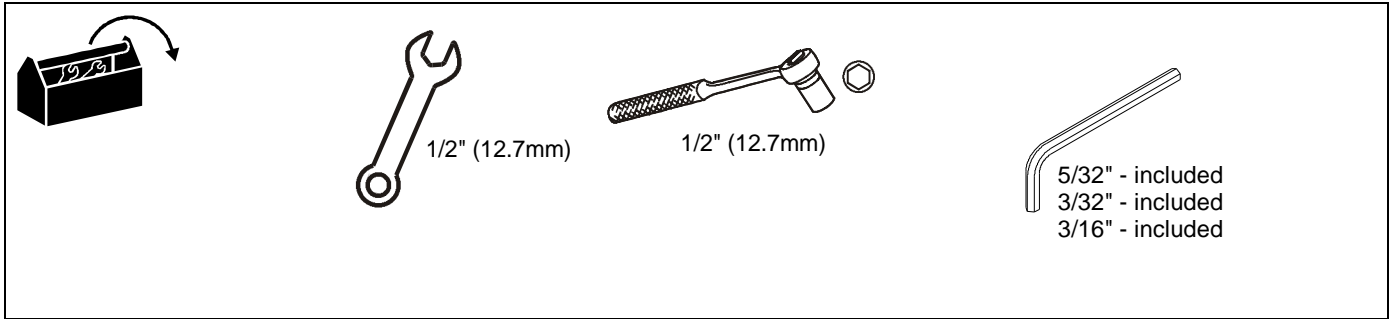
DIMENSIONS



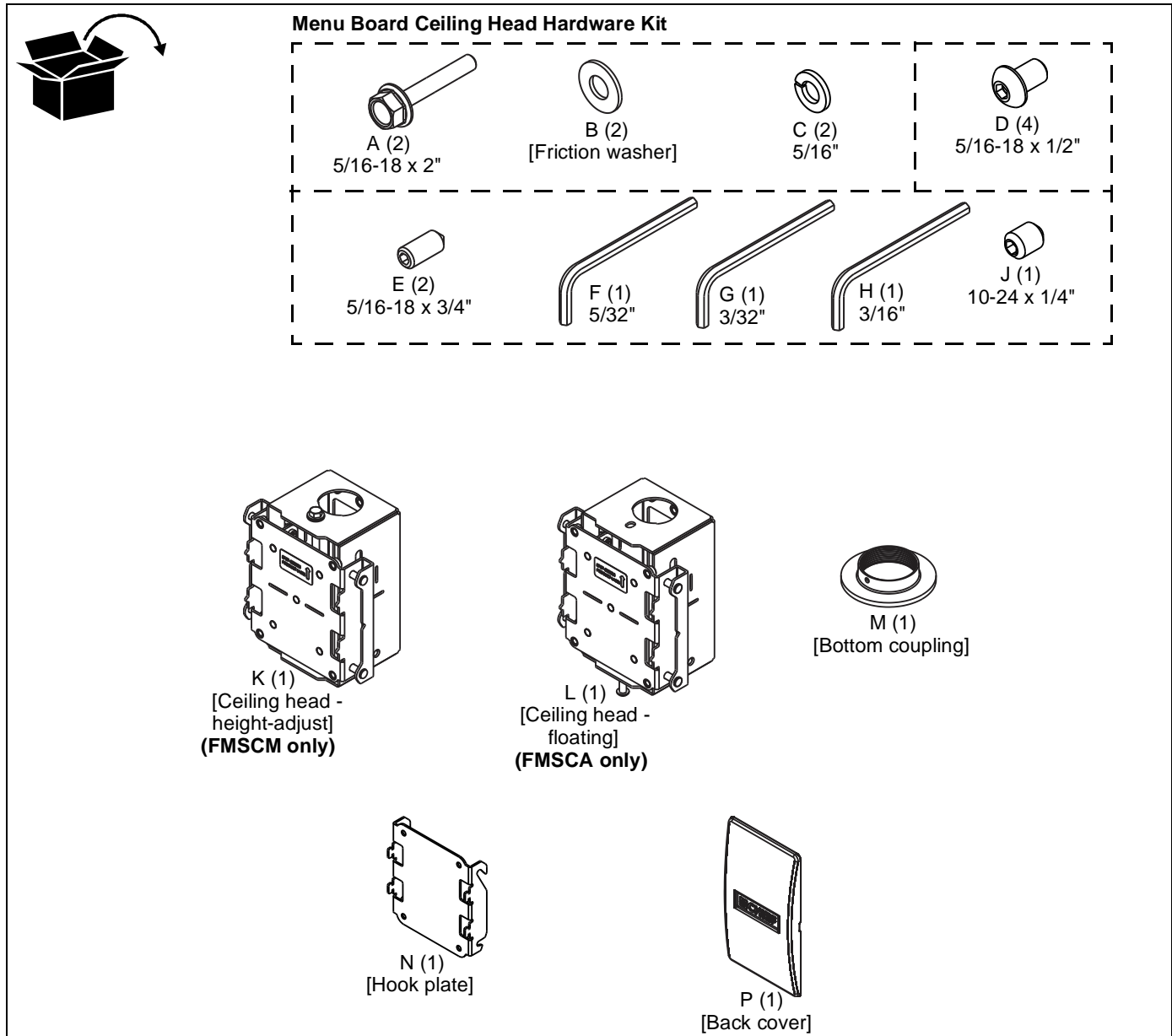
LEGEND

	Tighten Fastener Apretar elemento de fijación Befestigungsteil festziehen Apertar fixador Serrare il fissaggio Bevestiging vastdraaien Serrez les fixations		Pencil Mark Marcar con lápiz Stiftmarkierung Marcar com lápis Segno a matita Potloodmerkteken Marquage au crayon
	Loosen Fastener Aflojar elemento de fijación Befestigungsteil lösen Desapertar fixador Allentare il fissaggio Bevestiging losdraaien Desserrez les fixations		Drill Hole Perforar Bohrloch Fazer furo Praticare un foro Gat boren Percez un trou
	Phillips Screwdriver Destornillador Phillips Kreuzschlitzschraubendreher Chave de fendas Phillips Cacciavite a stella Kruiskopschroevendraaier Tournevis à pointe cruciforme		Adjust Ajustar Einstellen Ajustar Regolare Afstellen Ajuster
	Open-Ended Wrench Llave de boca Gabelschlüssel Chave de bocas Chiave a punte aperte Steeksleutel Clé à fourche		Remove Quitar Entfernen Remover Rimuovere Verwijderen Retirez
	By Hand A mano Von Hand Com a mão A mano Met de hand À la main		Optional Opcional Optional Opcional Opzionale Optie En option
	Hex-Head Wrench Llave de cabeza hexagonal Sechskantschlüssel Chave de cabeça sextavada Chiave esagonale Zeskantsleutel Clé à tête hexagonale		Security Wrench Llave de seguridad Sicherheitsschlüssel Chave de segurança Chiave di sicurezza Veiligheidsleutel Clé de sécurité

TOOLS REQUIRED FOR INSTALLATION



PARTS



INSTALLATION

NOTE: The following procedure assumes that Chief UL Listed CPA or CMA ceiling plates (not included) and extension columns (not included) have been properly installed following instructions provided with ceiling plates and extension columns.

- The ceiling plates and columns should be installed approximately spaced at center of outside screens, and spacings should not exceed those outlined in the **Fusion Modular Systems** installation instructions.

IMPORTANT ! : The weight of the system should be evenly distributed across ceiling plates.

IMPORTANT ! : Also be sure to reference ceiling system attachment guidelines in the **Fusion Modular Systems** installation instructions.

NOTE: Proceed to **Attaching Ceiling Head to NPT Column** section or **Attaching Ceiling Head to CPA Column** section, as appropriate.

Attaching Ceiling Head to 1-1/2" NPT Column

1. Slide ceiling head (K or L) up from below onto installed column (not included). (See Figure 1)
2. Thread bottom coupling (M) onto installed column until tight, with a minimum of four threads engaged. (See Figure 1)
3. Install and tighten one 10-24 x 1/4" set screw (J) into bottom coupling (M). (See Figure 1)

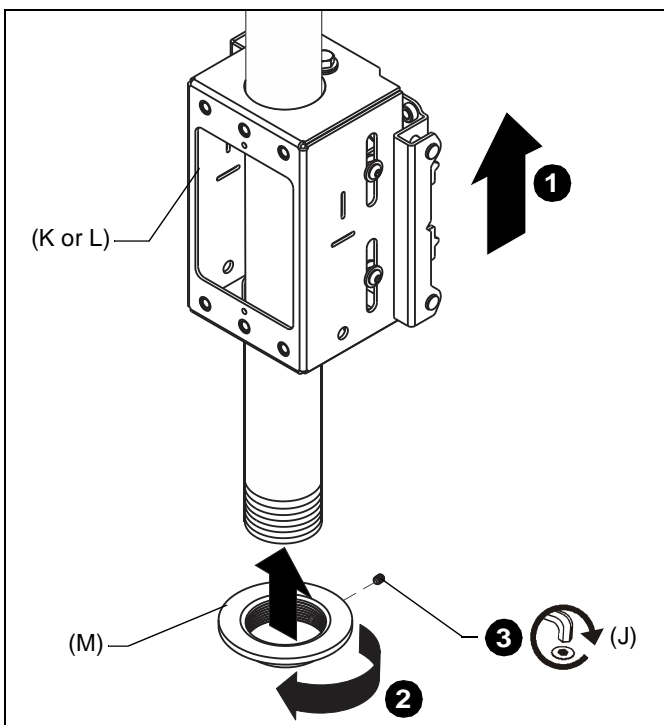


Figure 1

4. Tighten two 5/16" x 3/4" set screws (E) against column. (See Figure 2)

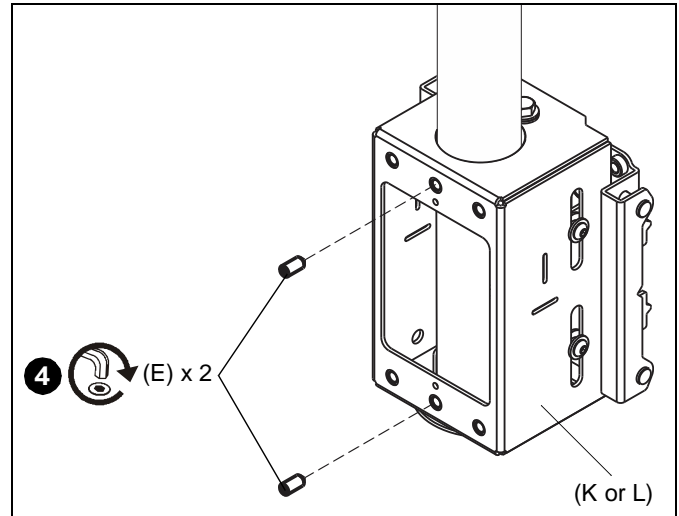


Figure 2

Attaching Ceiling Head to CPA Column

1. Slide ceiling head (K or L) up from below onto installed column (not included). (See Figure 3)
2. Line up holes in sides of ceiling head (K or L) with holes in column.

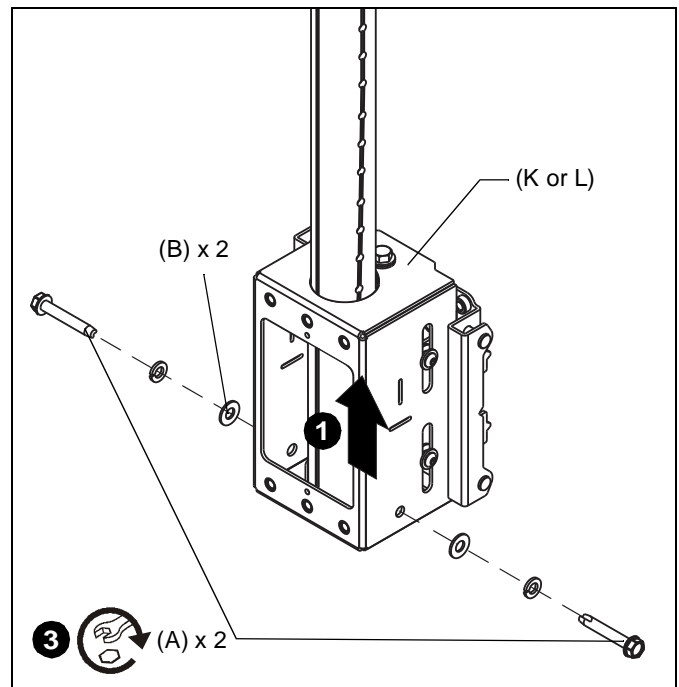


Figure 3

3. Install two 5/16" x 2" self-tapping screws (A) through two 5/16" lock washers (C), two friction washers (B), sides of ceiling head (K or L), and into installed column. (See Figure 3)

4. Install and tighten two 5/16" set screws (E) against column. (See Figure 4)

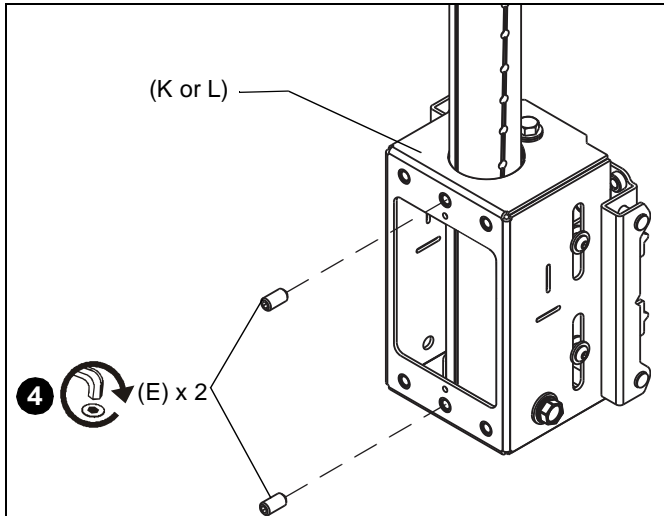


Figure 4

Attaching Mounting Rail to Ceiling Head

IMPORTANT ! : Use the FMSCM height-adjust ceiling head (K) on the outside of the mounting rails, or FMSCA floating ceiling head (L) at the center of the mounting rails.

NOTE: Attach one end cap to one end of mounting rail following instructions included with the FMSECAP.

1. Slide the hook plate (N) into mounting rail. (See Figure 5)

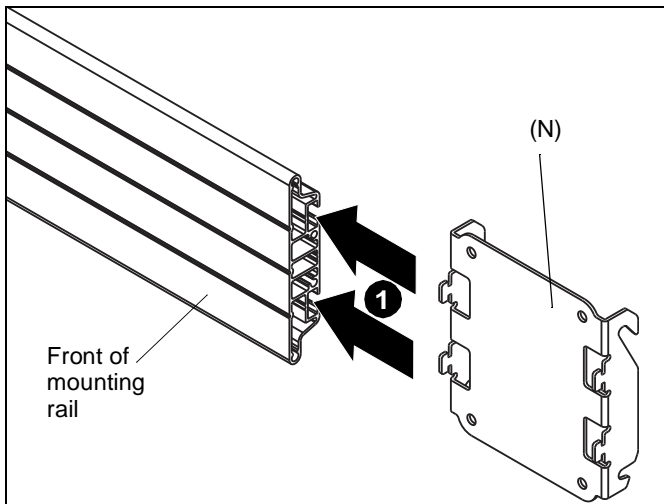


Figure 5

2. Lift the mounting rail with the hook plate up to the ceiling head (K or L). (See Figure 6)
3. Attach hook plate (N) with mounting rail to ceiling head (K or L) using four 5/16 x 1/2" button head cap screws (D). (See Figure 6)

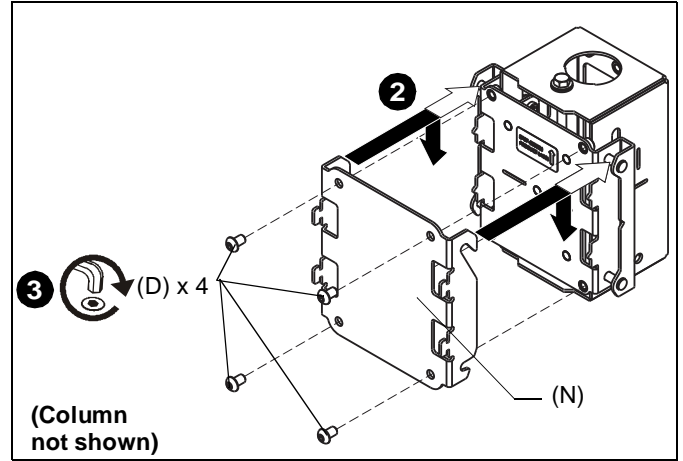


Figure 6

Adjust and Level Mounting Rail via Ceiling Head

1. Adjust the height of the ceiling head, as necessary, to level the mounting rail across the columns. (See Figure 7)
 - **Tighten** the ceiling head height-adjust screw on the FMSCM to **raise** the mounting rail.
 - **Loosen** the ceiling head height-adjust screw on the FMSCM to **lower** the mounting rail.
2. Tighten the adjustment screw at the bottom of the FMSCA ceiling head to hold the FMSCA (center) ceiling head at the same level as the FMSCM (outer) ceiling heads.

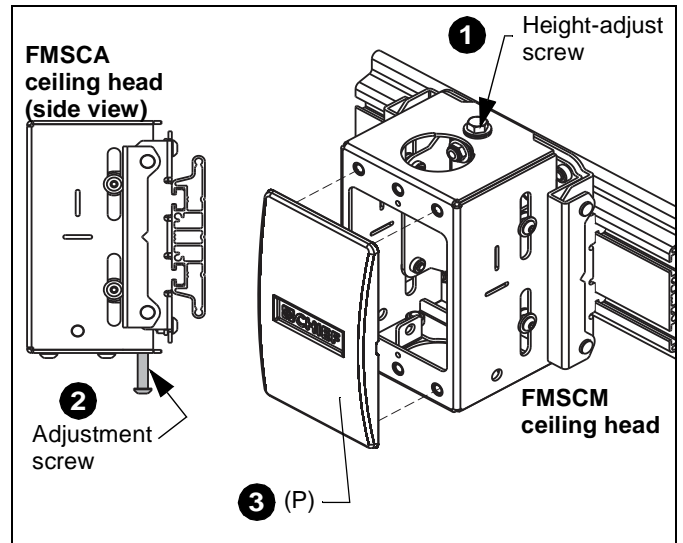


Figure 7

3. Add back cover (P) to ceiling head (K or L). (See Figure 7)
4. Attach remaining end cap to end of mounting rail following instructions included with the FMSECAP.



Our Mounts. **Your Vision.**

Chief, a products division of
Milestone AV Technologies

8800-002849 Rev00
©2016 Milestone AV Technologies
www.milestone.com
06/16

USA/International	A 6436 City West Parkway, Eden Prairie, MN 55344 P 800.582.6480 / 952.225.6000 F 877.894.6918 / 952.894.6918
Europe	A Franklinstraat 14, 6003 DK Weert, Netherlands P +31 (0) 495 580 852 F +31 (0) 495 580 845
Asia Pacific	A Office No. 918 on 9/F, Shatin Galleria 18-24 Shan Mei Street Fotan, Shatin, Hong Kong P 852 2145 4099 F 852 2145 4477

