

BT7371

FLAT SCREEN DESK MOUNT

The BT7371 is a desk mount with swivel made from durable aluminium with an anodised polished finish. Suitable for use with screens up to 28", the screen can swivel 360° on the pole and has a 360° screen rotation on the interface, making this desk mount perfect for portrait or landscape mounting. The mount can be easily fixed to the rear or side of a desk or through a grommet hole and the cable management clips ensures a neat and tidy installation.



SPECIFICATION

| | |
|-------------------------|---------------------|
| Recommended screen size | up to 28" |
| Max load | 9kg |
| VESA® compatibility | 75 x 75 & 100 x 100 |
| Tilt | + 65° / - 90° |
| Swivel at pole | 360° |
| Screen rotation | 360° |
| Colour | Black |

FEATURES

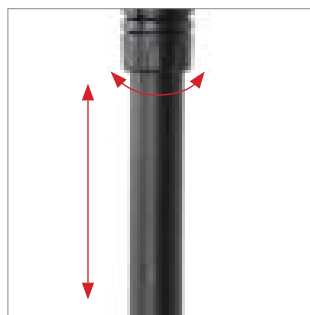
- High-end aesthetic quality with a durable anodised polished finish
- Easy lateral screen positioning
- Height adjustment using tool-less locking collar
- Supplied with a desk / grommet clamp
- Cable management clip included
- 360° screen rotation makes it easy to adjust screens from landscape to portrait
- Simple 'hook-on' installation
- All mounting hardware included



Supplied with a desk clamp that can attach either to the rear / side of a desk or through a grommet hole



Cable management clip for a neat and tidy installation



Height adjustment using tool-less locking collar



360° screen rotation makes it easy to adjust screens from landscape to portrait

