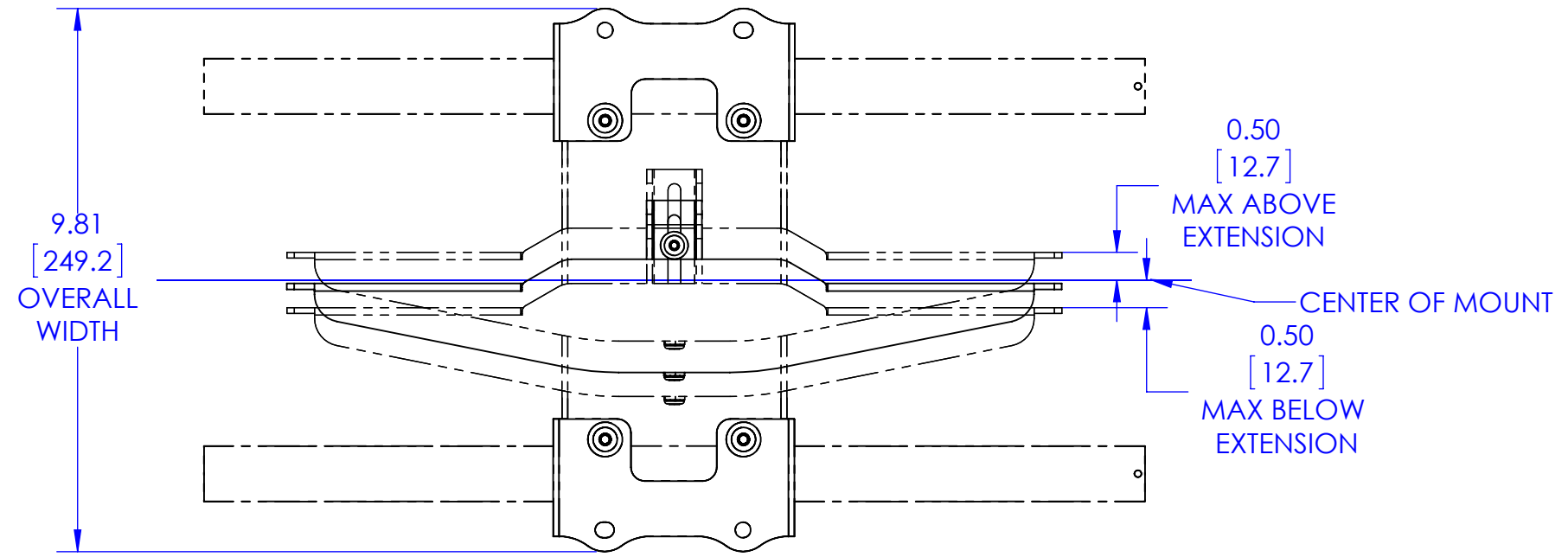
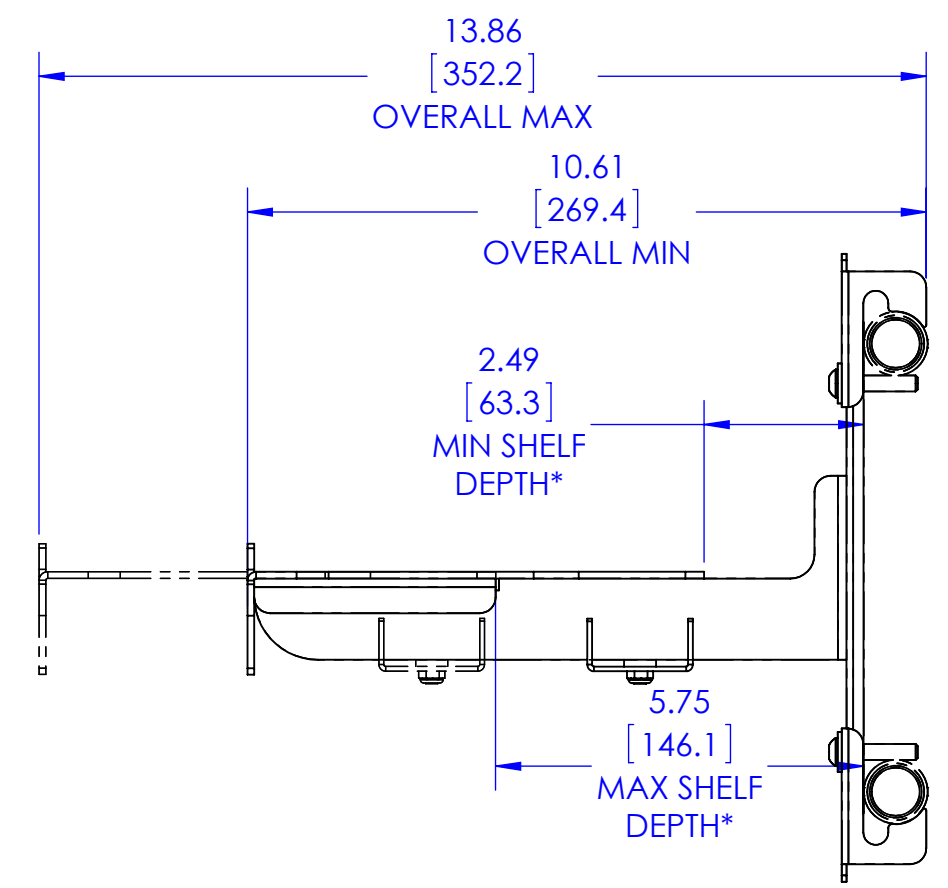
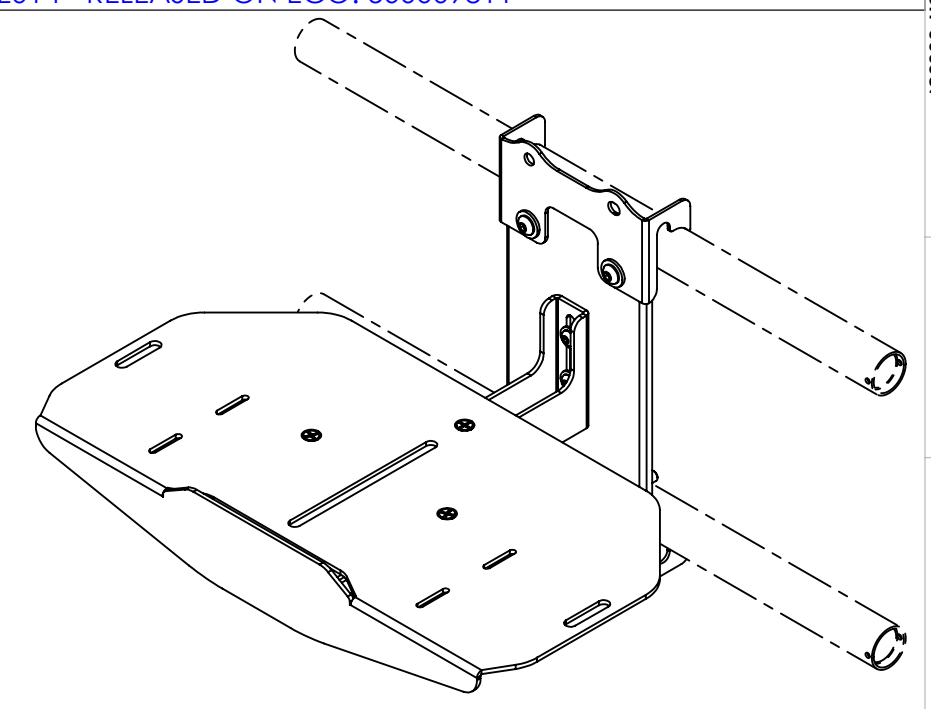
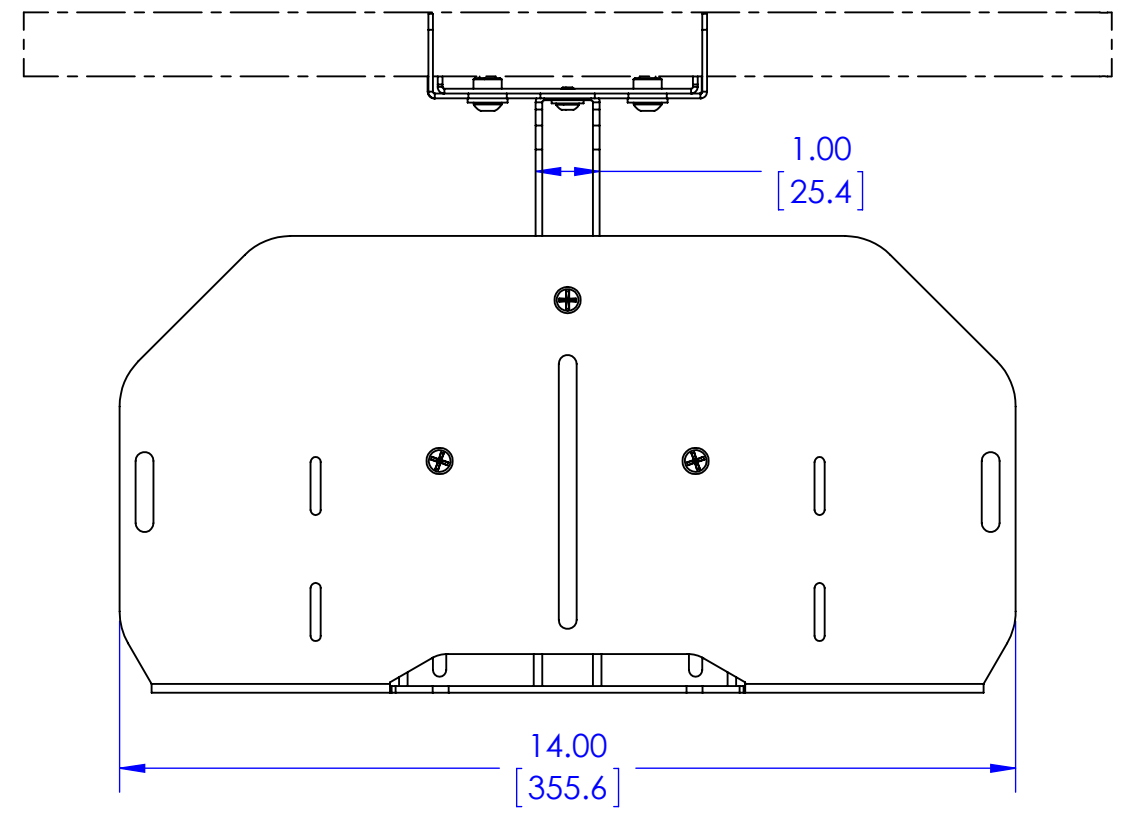


FUSION WALL MOUNT SETUP



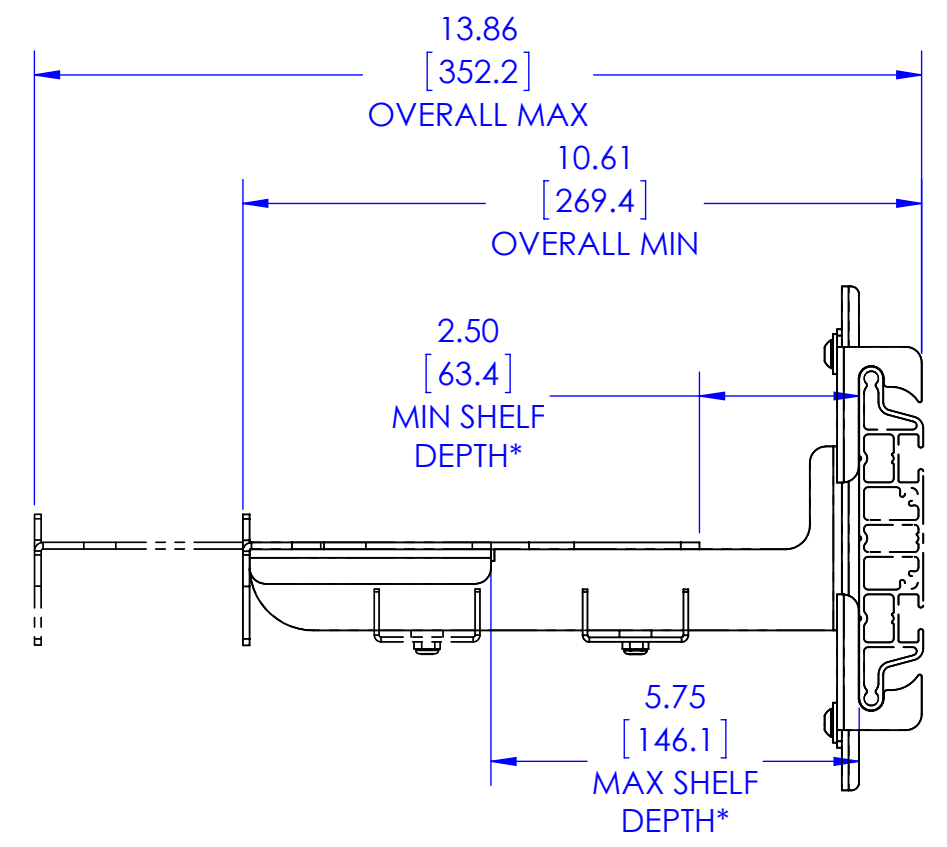
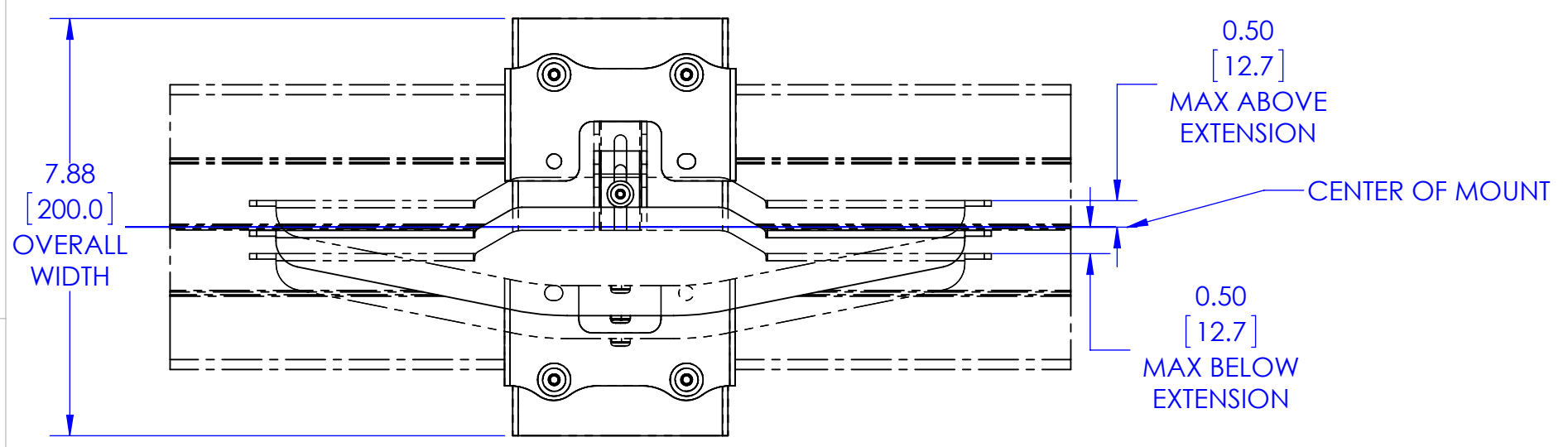
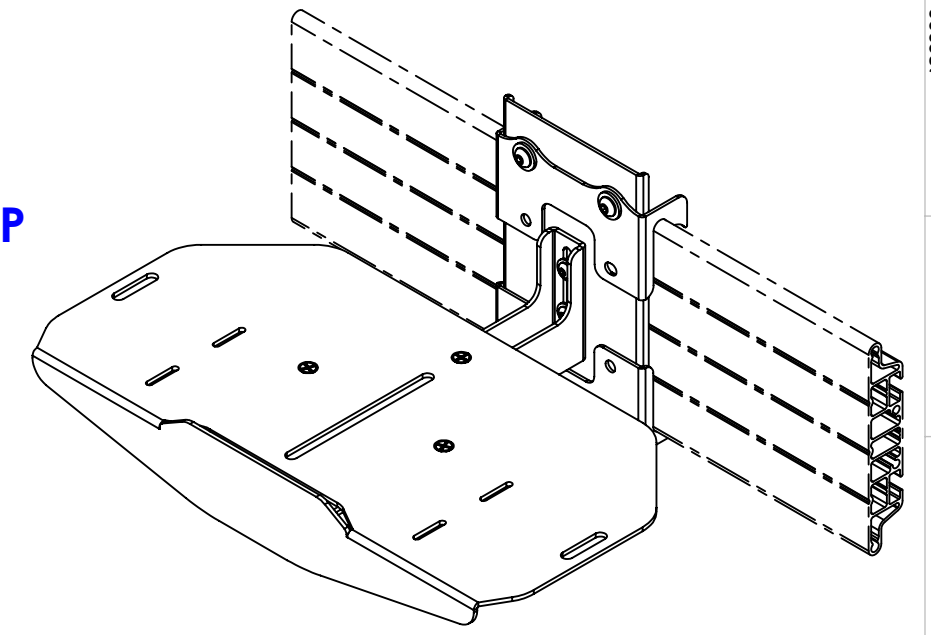
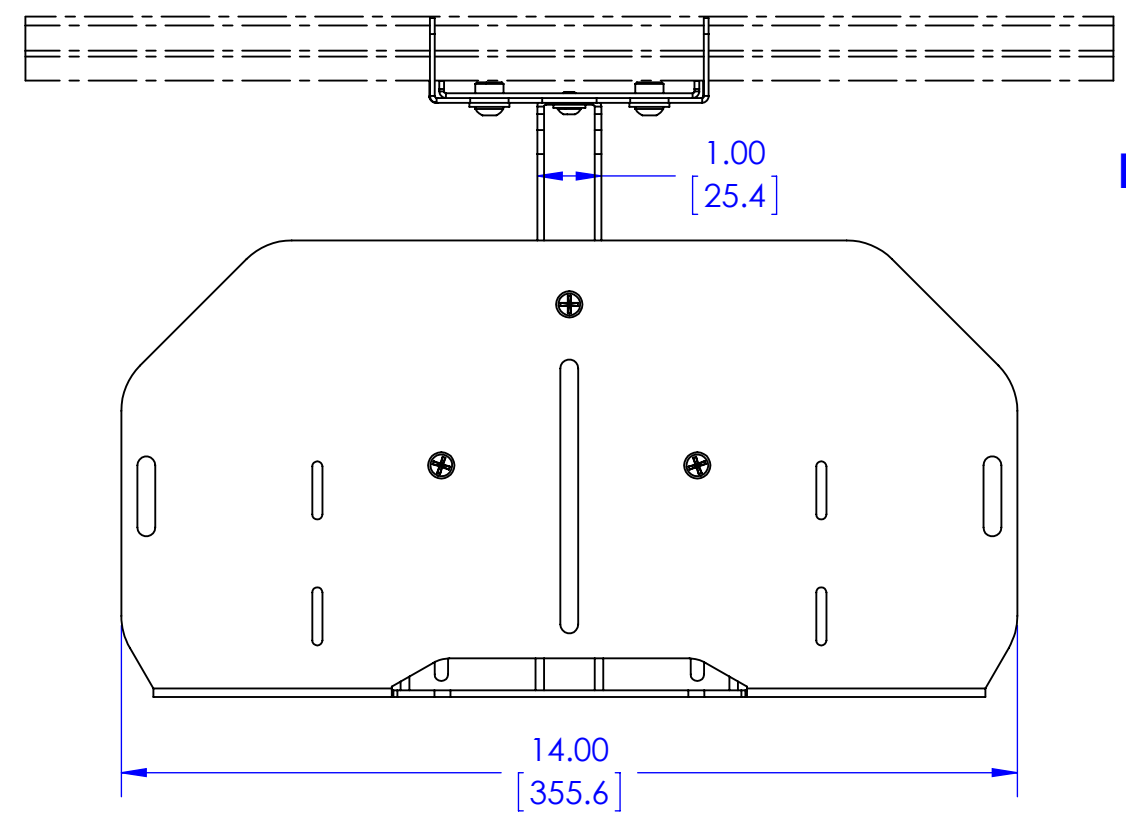
***NOTES:**

- FIXED FUSION INTERFACES ARE 0.5" DEEP
- TILT FUSION INTERFACES ARE 0.5" DEEP

THE INFORMATION AND DESIGNS CONTAINED IN THIS DRAWING ARE CONFIDENTIAL AND THE PROPRIETARY PROPERTY OF MILESTONE AV TECHNOLOGIES NEITHER THIS DESIGN NOR ANY INFORMATION CONTAINED IN THIS DRAWING MAY BE REPRODUCED OR DISCLOSED TO OTHERS WITHOUT THE EXPRESS WRITTEN CONSENT OF MILESTONE AV TECHNOLOGIES.

CAD GENERATED DRAWING, DO NOT MANUALLY UPDATE.			CHIEF		6436 CITY WEST PKWY EDEN PRAIRIE MN, 55344 PHONE: 866-977-3901 FAX: 877-894-6918
DRAWN BY	JF	4/21/2014	DESCRIPTION		
ENG APPROVAL			FCA821 FUSION CENTER CAMERA SHELF - 14"		
MFG APPROVAL			MODEL NO.		
QA APPROVAL			FCA821		
SHEET 1 OF 3		SCALE 1:3	SIZE B	DWG. NO. TECH-000587	REV. 00

FUSION CEILING/CART MOUNT SETUP



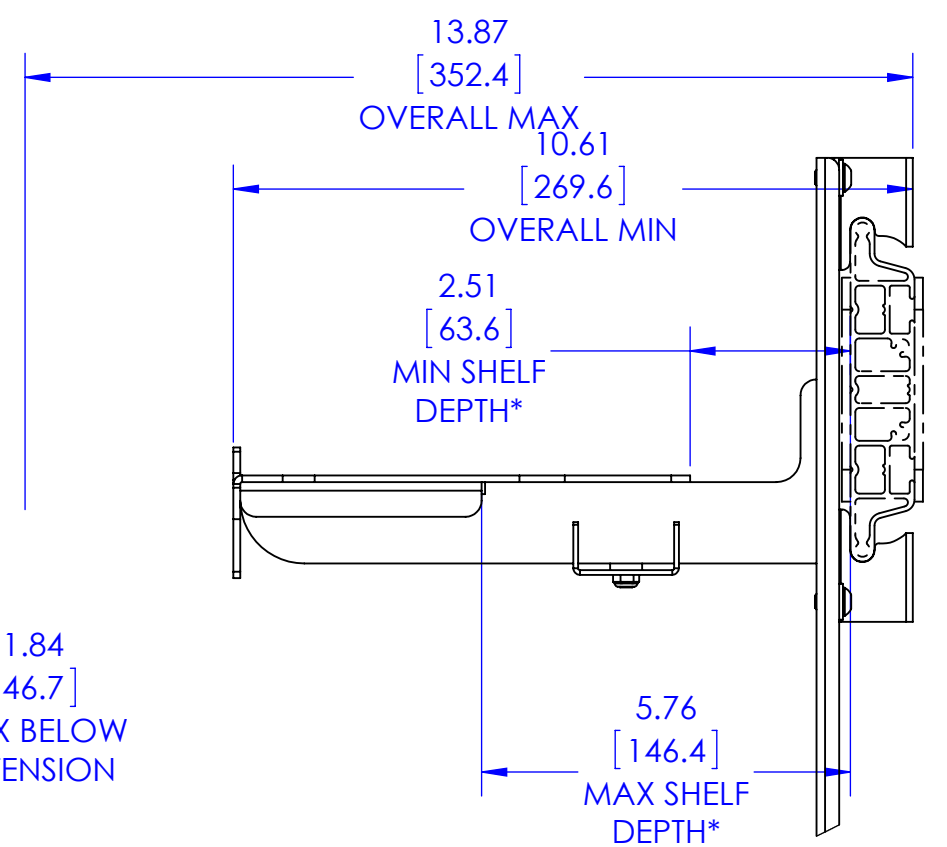
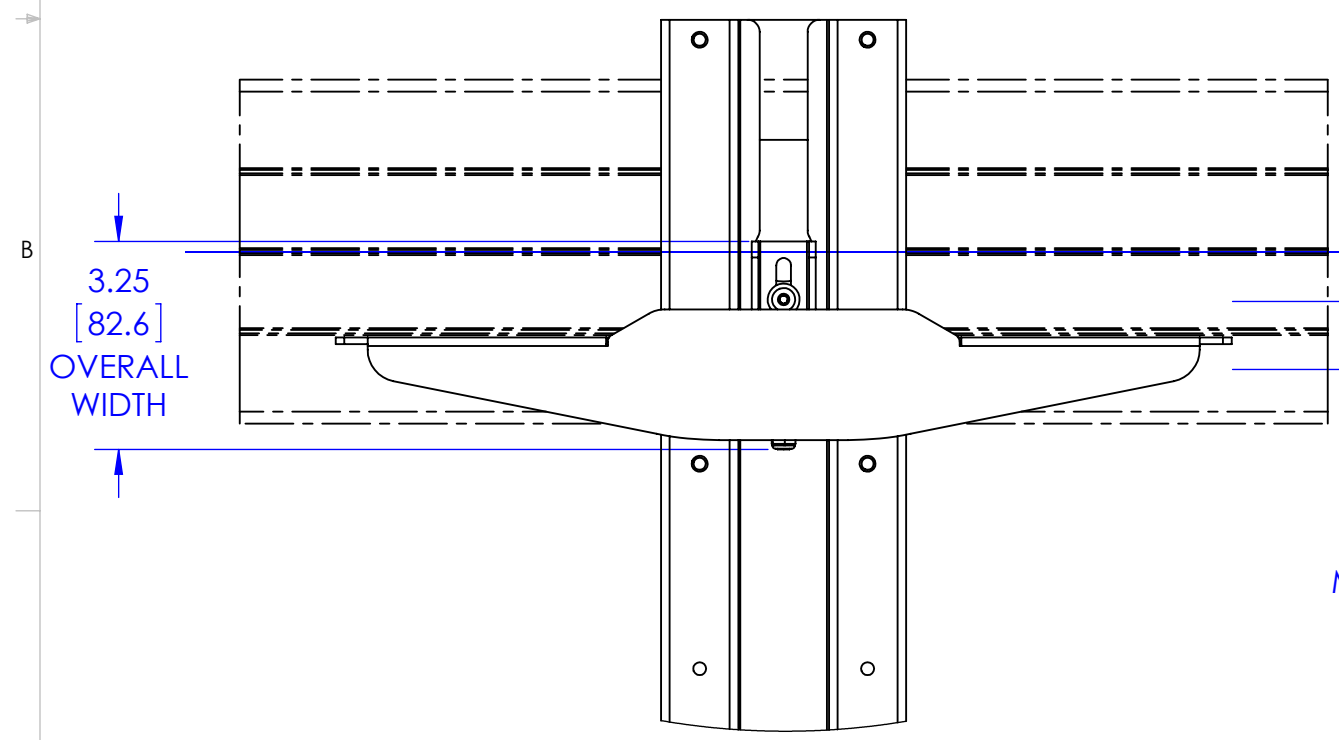
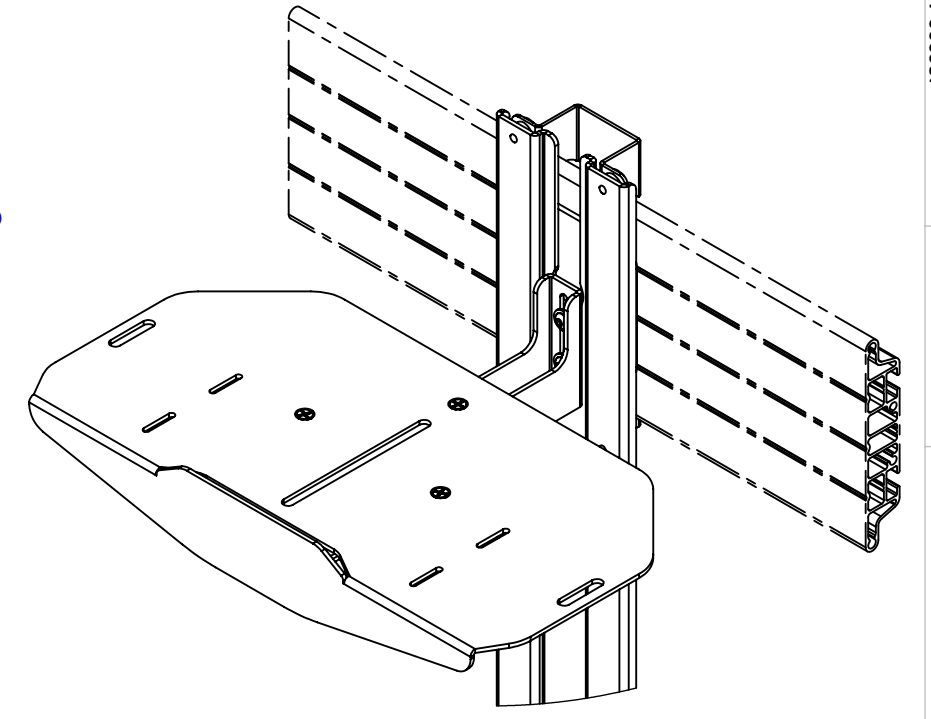
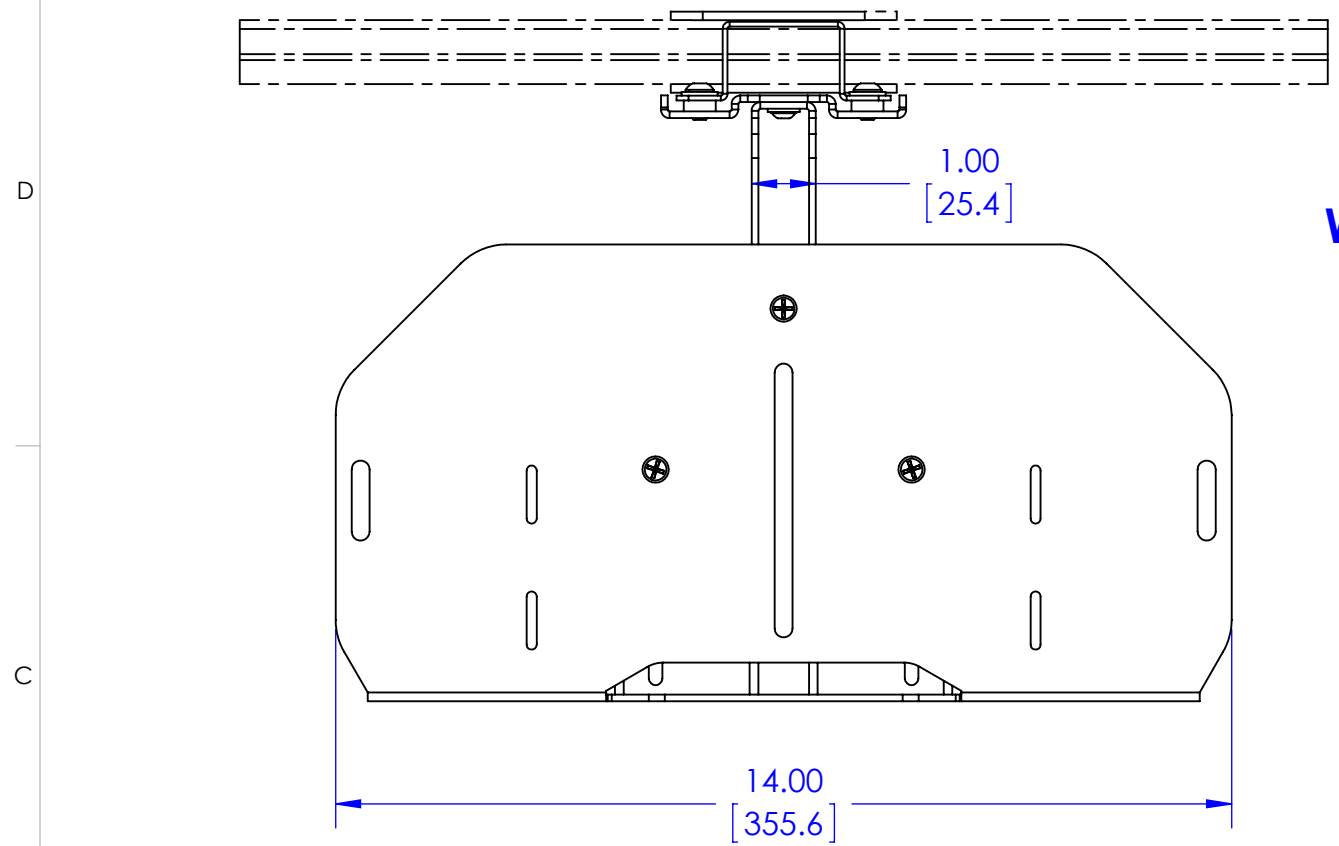
***NOTES:**

- FCA623 DUAL MONITOR INTERFACES ARE 1.4" DEEP

THE INFORMATION AND DESIGNS CONTAINED IN THIS DRAWING ARE CONFIDENTIAL AND THE PROPRIETARY PROPERTY OF MILESTONE AV TECHNOLOGIES NEITHER THIS DESIGN NOR ANY INFORMATION CONTAINED IN THIS DRAWING MAY BE REPRODUCED OR DISCLOSED TO OTHERS WITHOUT THE EXPRESS WRITTEN CONSENT OF MILESTONE AV TECHNOLOGIES.

CAD GENERATED DRAWING, DO NOT MANUALLY UPDATE.				6436 CITY WEST PKWY EDEN PRAIRIE MN, 55344 PHONE: 866-977-3901 FAX: 877-894-6918	
DRAWN BY	JF	4/21/2014		DESCRIPTION FCA821 FUSION CENTER CAMERA SHELF - 14"	
ENG APPROVAL			MODEL NO. FCA821		
MFG APPROVAL			SIZE DWG. NO. B TECH-000587		
QA APPROVAL			REV. 00		
SHEET 2 OF 3			SCALE 1:3		

FUSION CEILING/CART MOUNT WITH ABOVE OR BELOW SHELF SETUP



- *NOTES:
- FCA623 DUAL MONITOR INTERFACES ARE 1.4" DEEP

THE INFORMATION AND DESIGNS CONTAINED IN THIS DRAWING ARE CONFIDENTIAL AND THE PROPRIETARY PROPERTY OF MILESTONE AV TECHNOLOGIES NEITHER THIS DESIGN NOR ANY INFORMATION CONTAINED IN THIS DRAWING MAY BE REPRODUCED OR DISCLOSED TO OTHERS WITHOUT THE EXPRESS WRITTEN CONSENT OF MILESTONE AV TECHNOLOGIES.

CAD GENERATED DRAWING, DO NOT MANUALLY UPDATE.		6436 CITY WEST PKWY EDEN PRAIRIE MN, 55344 PHONE: 866-977-3901 FAX: 877-894-6918	
DRAWN BY	JF	4/21/2014	DESCRIPTION
ENG APPROVAL			FCA821 FUSION CENTER CAMERA SHELF - 14"
MFG APPROVAL			MODEL NO.
QA APPROVAL			FCA821
SHEET 3 OF 3	SCALE	SIZE	DWG. NO.
	1:3	B	TECH-000587
			REV.
			00