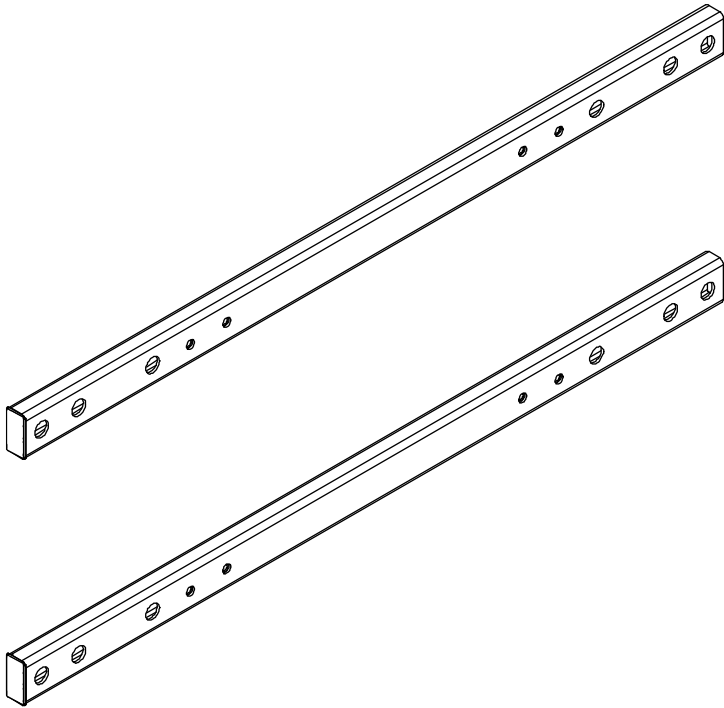




ACC-V900X

For VESA 600x400, 800x400, 900x400 Mounting Patterns
Samsung ME95C and LG 98LS95A



⚠ WARNING

ENG - Before installing make sure the supporting surface will support the combined load of the equipment and hardware. Screws must be tightly secured. Do not overtighten screws or damage can occur and product may fail. Never exceed the Maximum Load Capacity. Always use an assistant or mechanical lifting equipment to safely lift and position equipment. This product is intended for indoor use only. Use of this product outdoors could lead to product failure or personal injury. Be careful not to pinch fingers when operating the mount. For support please call customer care at 1-800-865-2112.

ENG Symbols



ENG WARNING

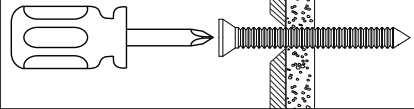


ENG Screws must get at least three full turns and fit snug.

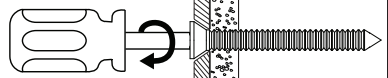


ENG To properly tighten screws: Tighten until screw head makes contact, then tighten another 1/2 turn. Do not overtighten screws.

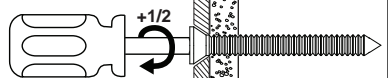
1



2



3



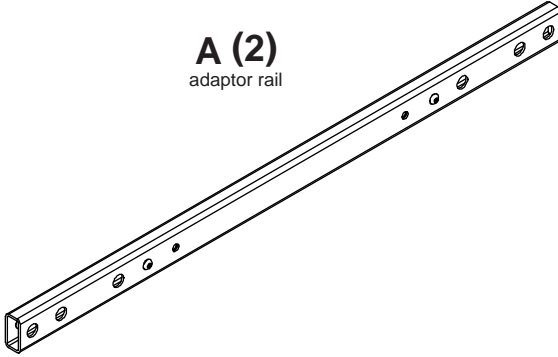
4



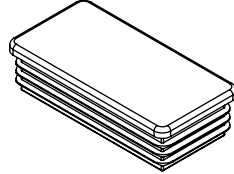
ENG Parts (Before beginning, make sure you have all parts shown below).

Parts List		
Description	Qty	Part #
A adaptor rail	2	202-1708
B M8 x 15mm	4	520-1068
C 4mm allen wrench	1	560-9646
D M8 x 20mm	4	520-1120
E tube cap	4	590-1334

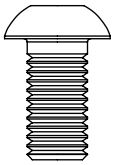
A (2)
adaptor rail



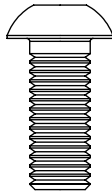
E (4)
tube cap



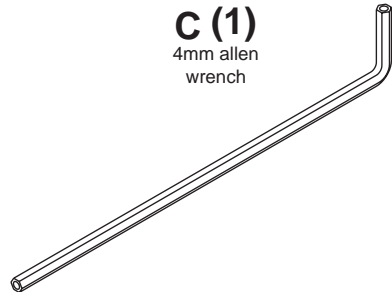
B (4)
M8 x 15mm



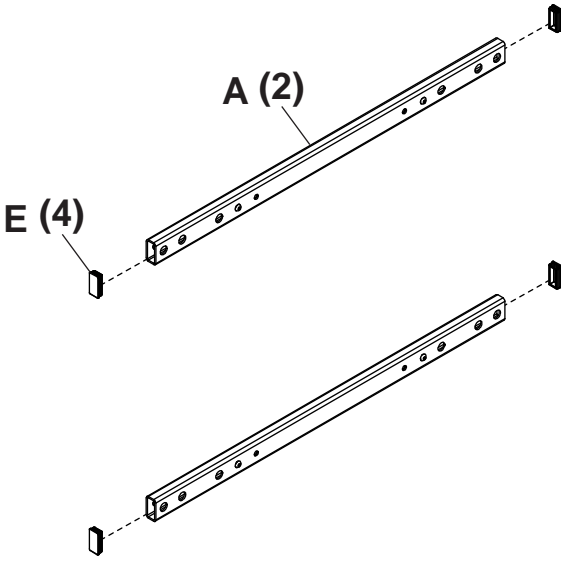
D (4)
M8 x 20mm



C (1)
4mm allen wrench

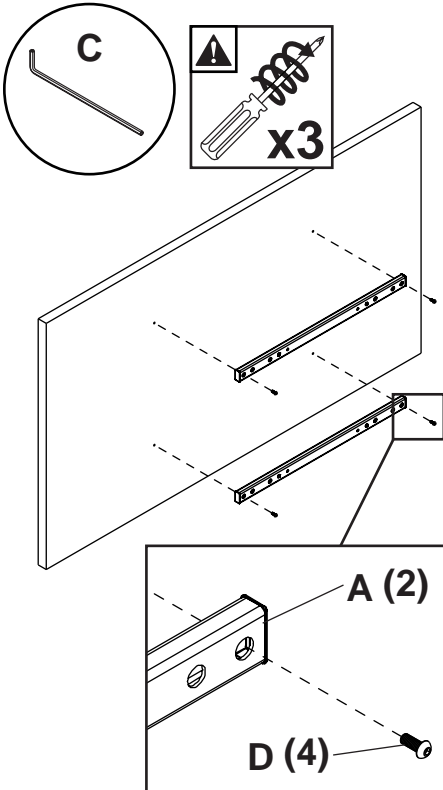


1



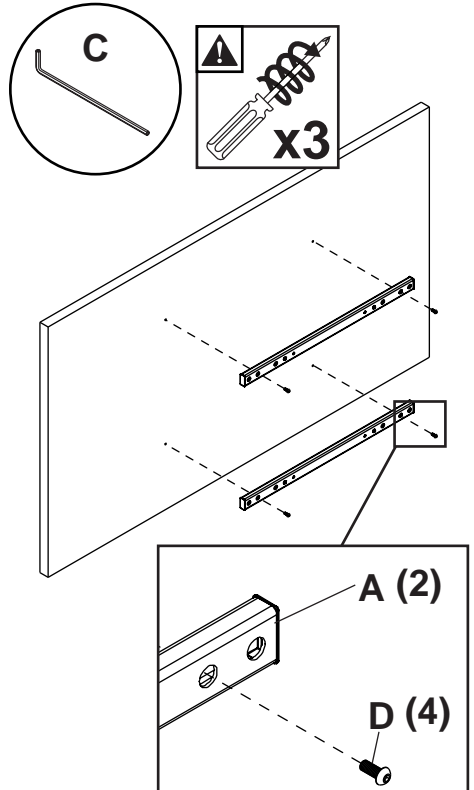
2a

ENG SAMSUNG ME95C



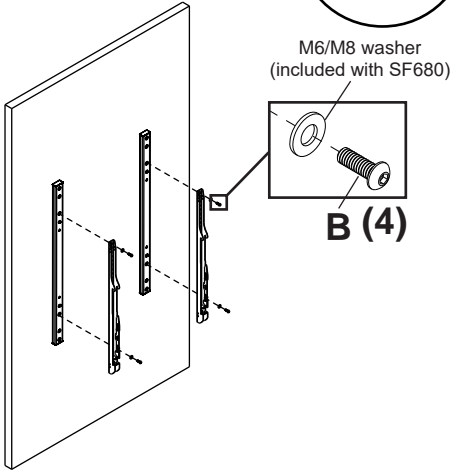
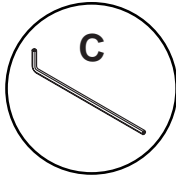
2b

ENG LG 98LS95A



3a

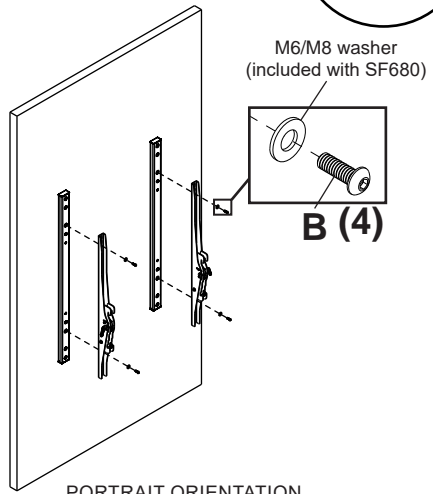
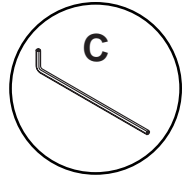
ENG SF680: ACC-V900X not required for landscape orientation



PORTRAIT ORIENTATION

3b

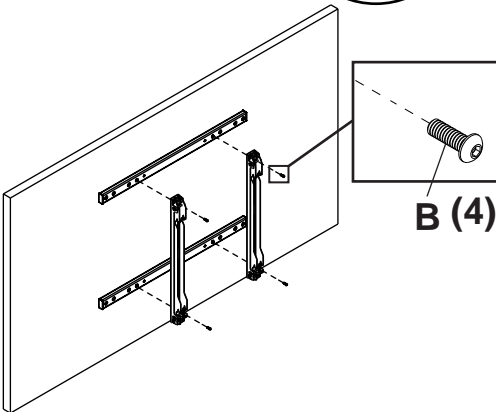
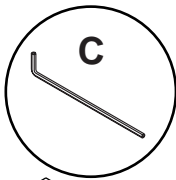
ENG ST680: ACC-V900X not required for landscape orientation



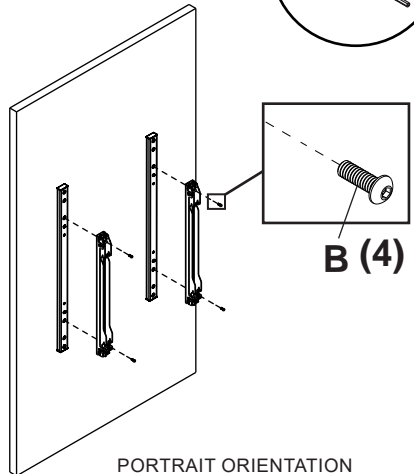
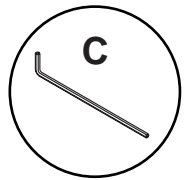
PORTRAIT ORIENTATION

3c

ENG DS-VW795-QR



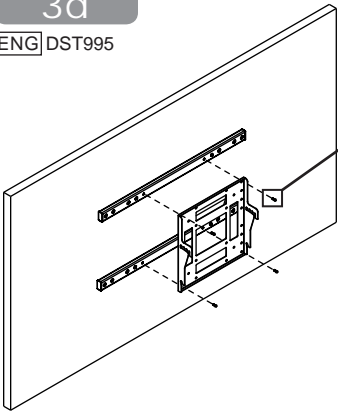
LANDSCAPE ORIENTATION



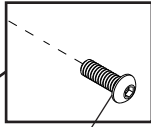
PORTRAIT ORIENTATION

3d

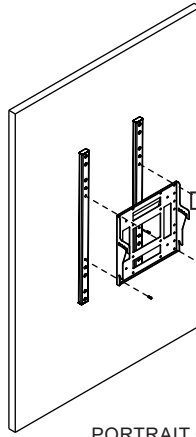
ENG DST995



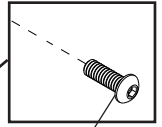
LANDSCAPE ORIENTATION



B (4)



PORTRAIT ORIENTATION



B (4)

ENG This page was intentionally left blank

LIMITED FIVE-YEAR WARRANTY

Peerless Industries, Inc. ("Peerless-AV") warrants to original end-users that each Peerless-AV® mounting product will be free from defects in material and workmanship, under normal use, for the applicable warranty period (from date of the original installation of the product). At its option, Peerless-AV will repair or replace, or refund the purchase price of, any product which fails to conform with this warranty.

Any implied warranty of merchantability or fitness for a particular purpose shall be limited to the period of the express warranty set forth below.

In no event shall Peerless-AV be liable for incidental or consequential damages, whether or not secured by a security device which may be included with the product.

Some states do not allow limitations on how long an implied warranty lasts, or the exclusion of incidental or consequential damages, so the above limitation and/or the above exclusion may not apply to you.

This warranty does not cover damage caused by incorrect selection, installation or the failure to follow Peerless-AV instructions or warnings when installing, using or storing the product.

This warranty gives specific legal rights, and you may also have other rights which vary from state to state. To make a warranty claim in North America, contact Peerless-AV customer care at 1-800-865-2112. See complete global warranty information for regions outside North America at www.peerless-av.com/en-uk/customer-care/warranties-returns.

The logo for Peerless-AV features the word "peerless" in a bold, lowercase, red sans-serif font. To its right, the letters "AV" are rendered in a red outline font, with a registered trademark symbol (®) to the upper right of the "V".

Peerless-AV
2300 White Oak Circle
Aurora, IL 60502
Email: tech@peerlessmounts.com
Ph: (800) 865-2112
Fax: (800) 359-6500
www.peerless-av.com

Peerless-AV Europe
Unit 3 Watford Interchange,
Colonial Way, Watford, Herts,
WD24 4WP, United Kingdom
Customer Care
44 (0) 1923 200 100
www.peerless-av.com

Peerless-AV de Mexico
Ave de las Industrias 413
Parque Industrial Escobedo
Escobedo N.L Mexico 66062
Servicio al Cliente
01-800-849-65-77
www.peerless-av.com