

## ACC-V900X



Display size  
**46"-98"**



Max load  
**200lb (91kg)**

# Accessory Adaptor Rails

For VESA® 600, 800 and 900mm wide mounting patterns

Increase your mounts' compatibility with the ACC-V900X by Peerless-AV®. This low cost adaptor rail solution for displays with VESA® 600, 800 or 900mm wide mounting patterns allows the display to be mounted in either landscape or portrait orientation by reducing the width of the mounting hole pattern to 400 or 500mm.

*Obtain mount compatibility by reducing the display VESA® pattern with the ACC-V900X.*



## Additional Features

- Adaptor rail solution for displays with 600, 800 and 900mm wide mounting patterns
- Attaches to the mounts with a 400 or 500mm wide mounting patterns
- Allows the display to be mounted in portrait or landscape
- Security hardware deters tampering and theft



Shown with DS-VW765-LAND mount (sold separately)



**ACC-V900X**    Accessory Adaptor Rails for VESA® 600, 800 or 900mm wide mounting patterns

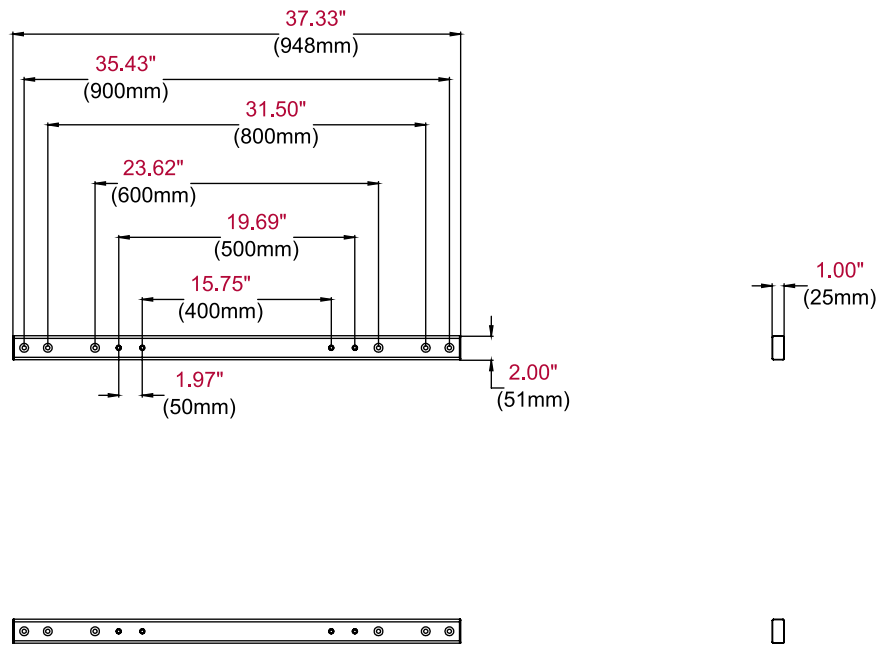
**Product Specifications**

	DIMENSIONS (W x H x D)	PRODUCT WEIGHT	LOAD CAPACITY	FINISH	AVAILABLE COLORS
ACC-V900X	37.33" x 1.00" x 2.00" (948 x 25 x 51mm)	13.0lb (5.9kg)	200lb (91kg) Be careful not to exceed the max load of the mount	Powder Coat	Black

**Package Specifications**

	PACKAGE SIZE (W x H x D)	PACKAGE SHIP WEIGHT	PACKAGE UPC CODE	PACKAGE CONTENTS	UNITS IN PACKAGE
ACC-V900X	38.5" x 3.75" x 3.75" (978 x 95 x 95mm)	14.5lb (6.6kg)	735029301868	Adaptor rails and mounting hardware	1

All dimensions = inch (mm)



**FRONT VIEW**

**SIDE VIEW**

**Architect Specifications**

The Accessory Adaptor Rails shall be a Peerless-AV model ACC-V900X and shall be located where indicated on the plans. Assembly and installation shall be done according to instructions provided by the manufacturer.

Visit [peerless-av.com](http://peerless-av.com) to see the complete line of AV solutions from Peerless-AV, including outdoor displays, wireless, kiosks, digital audio, display mounts, projector mounts, carts/stands, and a full assortment of accessories.

**Peerless-AV**  
2300 White Oak Circle  
Aurora, IL 60502 USA  
**(800) 865-2112**  
**(630) 375-5100**  
**Fax: (800) 359-6500**

**Peerless-AV Europe**  
Unit 3 Watford Interchange  
Colonial Way, Watford  
Herts, WD24 4WP  
United Kingdom  
**+44 (0) 1923 200100**  
**Fax: +44 (0) 1923 200101**

**Peerless-AV de México**  
Ave de las Industrias 413  
Parque Industrial Escobedo  
Escobedo, N.L.,  
Mexico 66050  
**+52 (81) 8384-8300**  
**Fax: +52 (81) 8384-8360**

