



POP-IN,
POP-OUT
MOUNT

BT8310

PROFESSIONAL VIDEO WALL MOUNT WITH QUICK LOCK PUSH SYSTEM



Designed to make video wall installations as quick and simple as possible, this modular video wall mount can be used to create unlimited video wall configurations in both landscape and portrait format. The BT8310 features a pop-in, pop-out system which enables quick and easy access to the rear of mounted screens for servicing and maintenance and 8 point micro-adjustment, making accurate screen alignment quick and easy.

SPECIFICATION

For screen sizes	42" - 70"
Max load	70kg
VESA® compatibility (as standard)	200 x 100 to 400 x 400
VESA® compatibility (with included adaptors)	up to 600 x 400*
Flat to wall depth	101mm* (+/-7mm with micro-adjustment)
Popped out depth	293mm* (+/-7mm with micro-adjustment)
Colour	Black

FEATURES

- Modular mount for unlimited wall display configurations
- Suitable for landscape or portrait screen mounting
- Push to open / push to close system provides quick and easy service access
- Tool-less micro-adjustments at 8 points for seamless display alignment
- Suitable for both wall or pole mounting
- Integrated cable management
- Screen specific wall plate spacers (available separately) dramatically shorten install times by eliminating guesswork and on-site calculations
- Perfect solution for mounting screens into a recessed wall
- Locking kit (BT8310-LK) to prevent accidental pop-out of mount is also available (separately)
- Safety screws help prevent unauthorised removal of screens
- Includes Interface Adaptor Arms as standard (pictured below) for use with screens with VESA 600 x 400 fixings
- All mounting hardware included

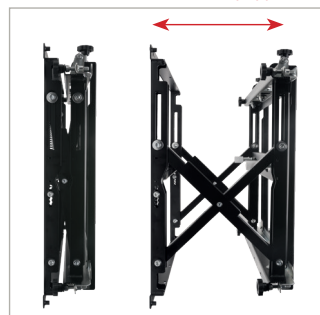


70" 177cm | VESA 600 x 400 | 70KG PER SCREEN | MICRO ADJUSTMENT | c UL US

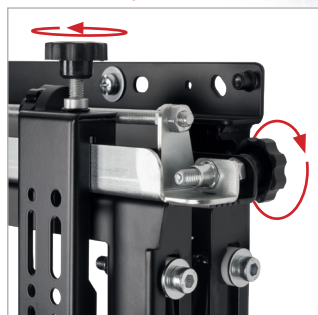
*Please note using the included Interface Adaptor Arms to mount VESA 600 x 400 screens will increase the total depth of the product by 6mm, for a total depth of 107mm, or 299mm whilst popped out (+/-7mm micro-adjustment).



Modular mount allows video wall assembly in an unlimited number of configurations



Push to open / push to close system provides quick and easy service access



Tool-less micro-adjustment at 8 points for seamless display alignment



Optional Interface Adaptors for VESA 600 x 400 fixings included as standard

