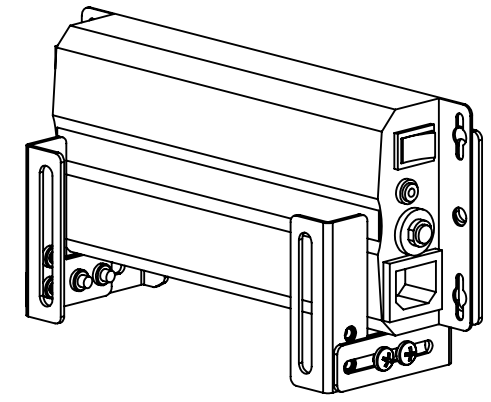
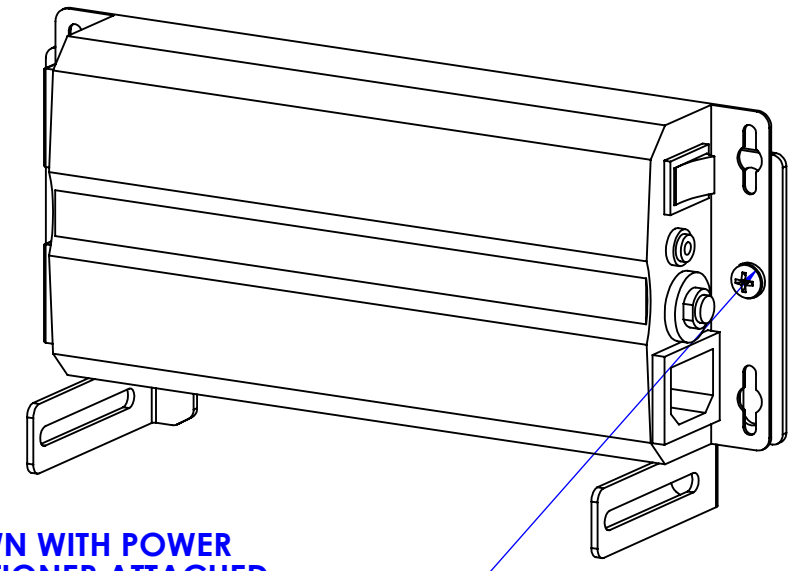


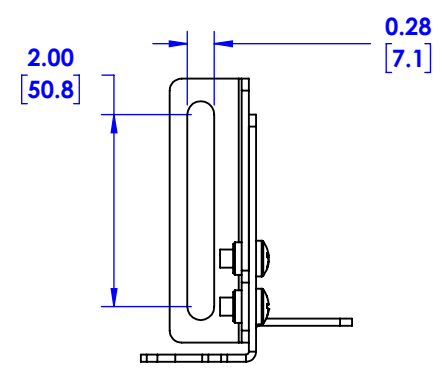
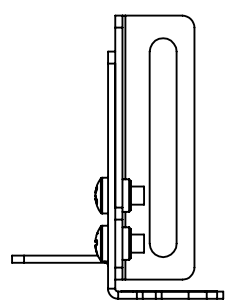
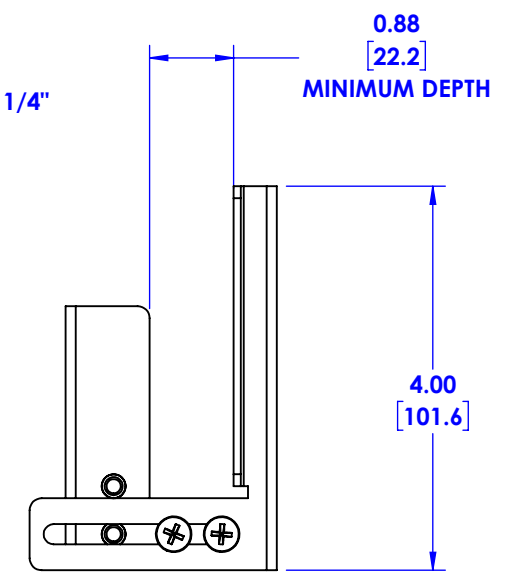
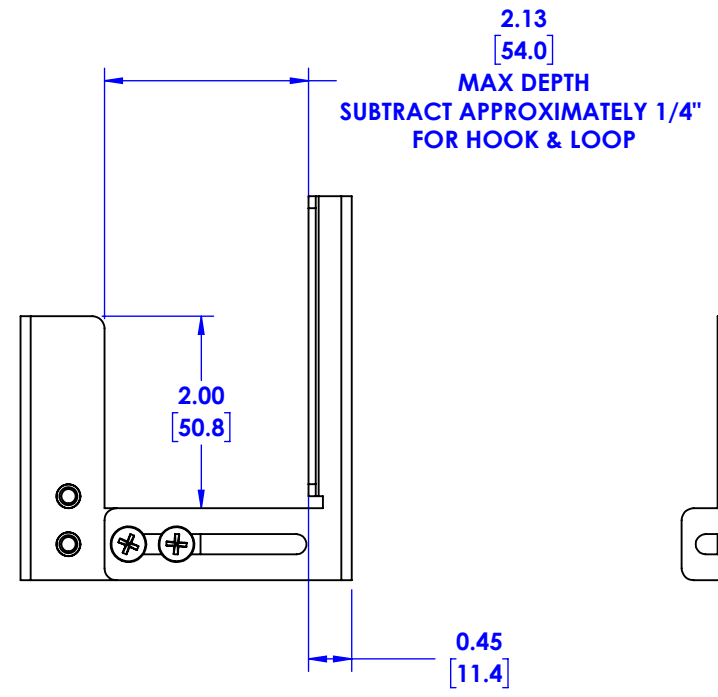
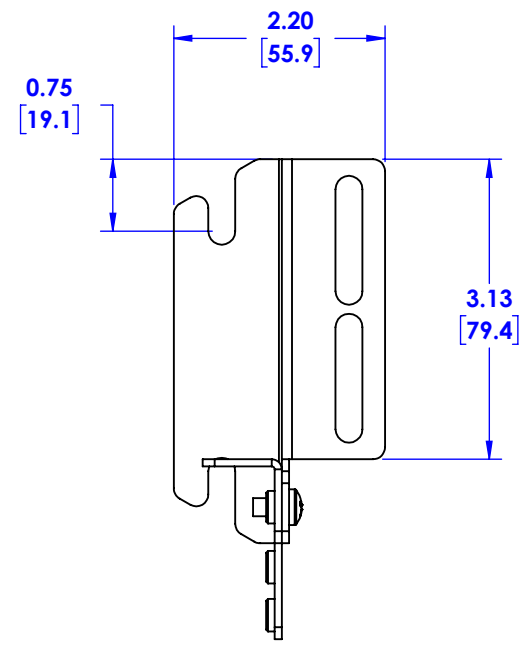
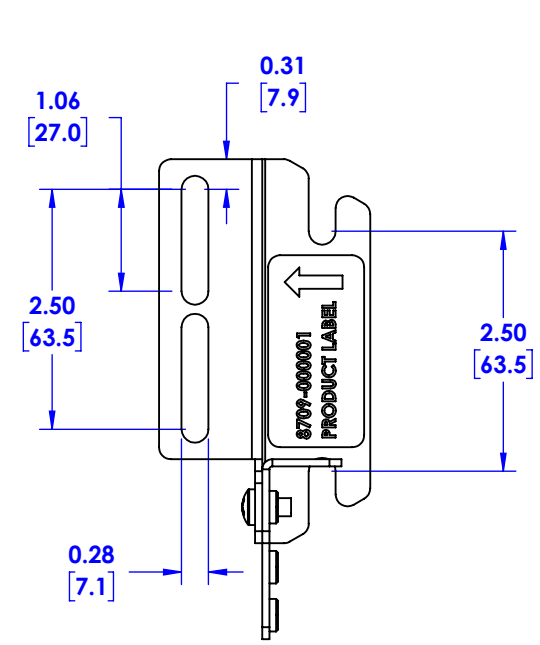
**SHOWN WITH RAXXES 12 OUTLET POWER STRIP**



**SHOWN WITH SIMULATED POWER CONDITIONER**



**SHOWN WITH POWER CONDITIONER ATTACHED DIRECTLY TO BRACKET WITH SCREWS AND NUTS (NOT INCLUDED)**



THE INFORMATION AND DESIGNS CONTAINED IN THIS DRAWING ARE CONFIDENTIAL AND THE PROPRIETARY PROPERTY OF MILESTONE AV TECHNOLOGIES NEITHER THIS DESIGN NOR ANY INFORMATION CONTAINED IN THIS DRAWING MAY BE REPRODUCED OR DISCLOSED TO OTHERS WITHOUT THE EXPRESS WRITTEN CONSENT OF MILESTONE AV TECHNOLOGIES.

CAD GENERATED DRAWING, DO NOT MANUALLY UPDATE.			6436 CITY WEST PKWY EDEN PRAIRIE MN, 55344 PHONE: 866-977-3901 FAX: 877-894-6918	
DRAWN BY	JAB	9/21/2012		
ENG APPROVAL			DESCRIPTION	
MFG APPROVAL			FCA520	
QA APPROVAL			MODEL NO.	
SHEET 1 OF 1			SCALE	1:2
			SIZE	B
			DWG. NO.	TECH-000212
			REV.	01