

BT7823

INTERNAL POLE JOINER

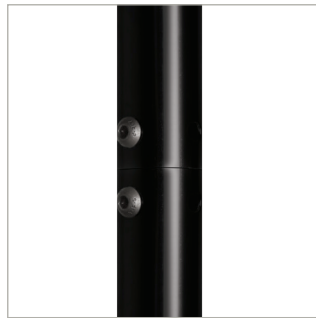
The BT7823 is an internal joining kit for Ø50mm poles which is designed to extend the drop of System 2 installations. The joiner is made from a single piece of 4mm thick heavy duty steel, which easily bolts to the inside of the poles to create a rigid, seamless join whilst still allowing cables to pass through unimpeded.

FEATURES

- Allows a rigid join of 2x Ø50mm poles
- Heavy duty steel supports substantial loads with minimal movement
- Hidden from view once installed for a seamless pole join
- Allows cables to pass through the poles and joiner
- One-piece design for a quick install
- Poles sold separately



One-piece design for a quick install



Creates a seamless pole join

CREATES A SEAMLESS JOIN BETWEEN POLES



SPECIFICATION

Colour

Zinc

BT7824

EXTERNAL POLE JOINER

The BT7824 is an external joining kit for Ø50mm poles which is designed to extend the drop of System 2 installations. Made from a single piece of 4mm thick heavy duty steel, the joiner easily bolts to the outside of the poles to create a rigid join. The open tube design allows cables to pass through unimpeded and also provides a cable access point at the joint location.

FEATURES

- Allows a rigid join of 2x Ø50mm poles
- Heavy duty steel supports substantial loads with minimal movement
- Includes grub screws which allow micro-adjustment of pole angle
- Allows cables to pass through the poles and joiner
- Provides a cable access point at the pole join
- Supplied with safety bolts for secure installation
- Poles sold separately



Grub screws which allow micro-adjustment of pole angle



Supplied with optional short safety bolts to allow cables to pass through

GRUB SCREWS ALLOW MICRO-ADJUSTMENT OF POLE ANGLE



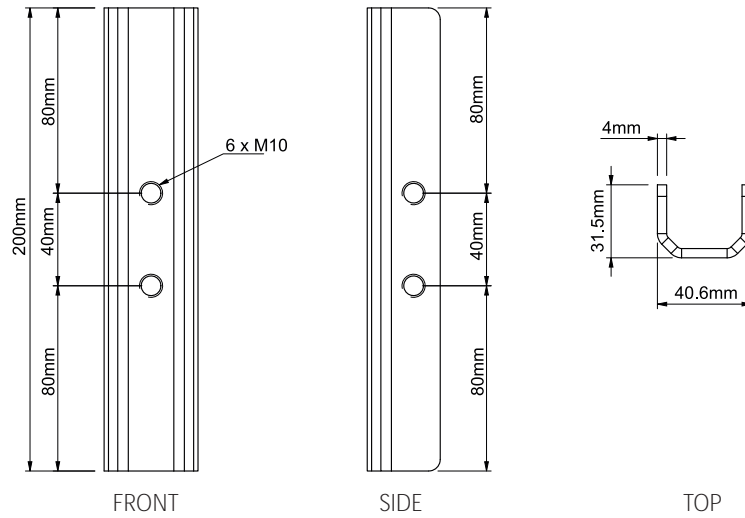
SPECIFICATION

Colour

Black

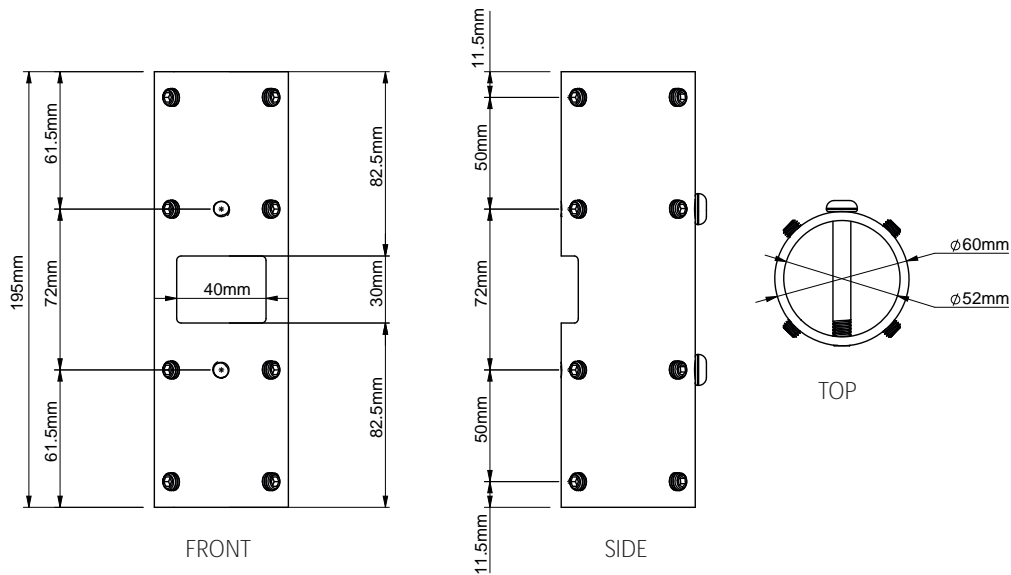
INTERNAL Ø50MM POLE JOINER

BT7823



EXTERNAL Ø50MM POLE JOINER

BT7824



PACKING INFORMATION

| COLOUR: | ORDER REF: | EAN CODE: | MASTER CARTON QTY: | INNER CARTON QTY: | MASTER CARTON WEIGHT: | MASTER CARTON CUBE |
|---------|------------|---------------|--------------------|-------------------|-----------------------|--------------------|
| Zinc | BT7823/Z | 5019318756030 | 30 | 0 | 20.5kg | 0.026cbm |
| Black | BT7824/B | 5019318078385 | 1 | 0 | 1.11kg | 0.0017cbm |

RELATED PRODUCTS



BT7850
Ø50mm Poles up to 3m in length



BT7822
Heavy Duty Floor / Ceiling Mount
for use with Ø50mm poles



BT7807
Heavy Duty Twin Floor / Ceiling Mount
for use with Ø50mm poles



BT7808
Ceiling / Wall Mount with Tilt
for use with Ø50mm poles

© 2015 B-Tech Mounts (UK) Ltd. All rights reserved. The information in this specification is subject to change without notice. This is not intended to be a contract. B-Tech Mounts (UK) Ltd. is not responsible for any damage caused by misuse or modification of the product. Any reproduction or transmission of any part of this specification without the prior written permission of B-Tech Mounts (UK) Ltd. is prohibited.

SS-50MM POLE JOINERS-V1-151215