

HP455



Display size
32"-55"



Max load
75lb (34kg)

Universal Desktop Swivel Mount

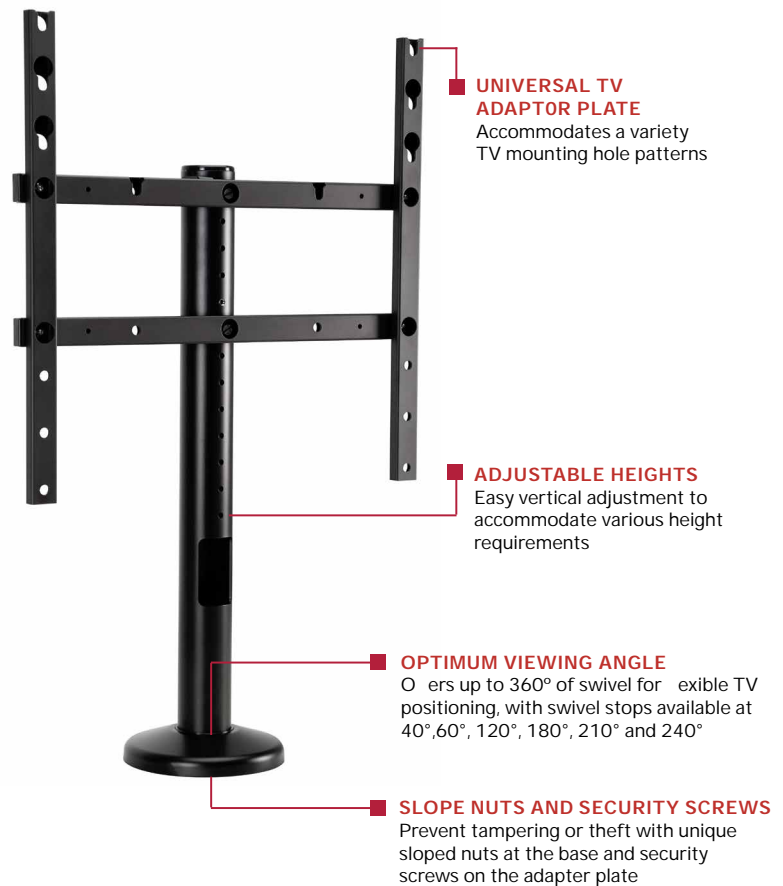
FOR 32" TO 55" TVs

The HP455 Flat Panel Desktop Swivel Mount offers a secure, functional and sleek mounting solution for use with a variety of flat panel TVs in hospitality applications. This mounting solution features a unique adaptor plate that works with a variety of VESA® compliant mounting hole patterns and comes with security screws to deter tampering and theft. A swivel range from 0° to 360° makes it a versatile desktop mount for any room configuration. Completing this mount is an internal cable management system and a decorative base that delivers a stylish, clean and clutter-free installation.

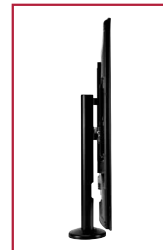
No matter the viewing angle, the HP455 provides a secure and functional way to mount a hospitality TV with max VESA® up to 400 x 400mm.

Additional Features

- Built-in swivel up to 360° allows for optimum viewing angle
- Base bolts down for safety and security
- Adjustable height allows for greater flexibility
- Cable management internally through the mount and down through the mounting surface
- Decorative base is aesthetically pleasing and hides desktop mounting hardware
- Built in VESA® adaptor plate
- Includes security hardware that helps deter tampering and theft



Swivel stops



Height adjustable



Slope nut security (shown without desktop surface)



RoHS

HP455 Universal Desktop Swivel Mount for 32" to 55" Flat Panel TV

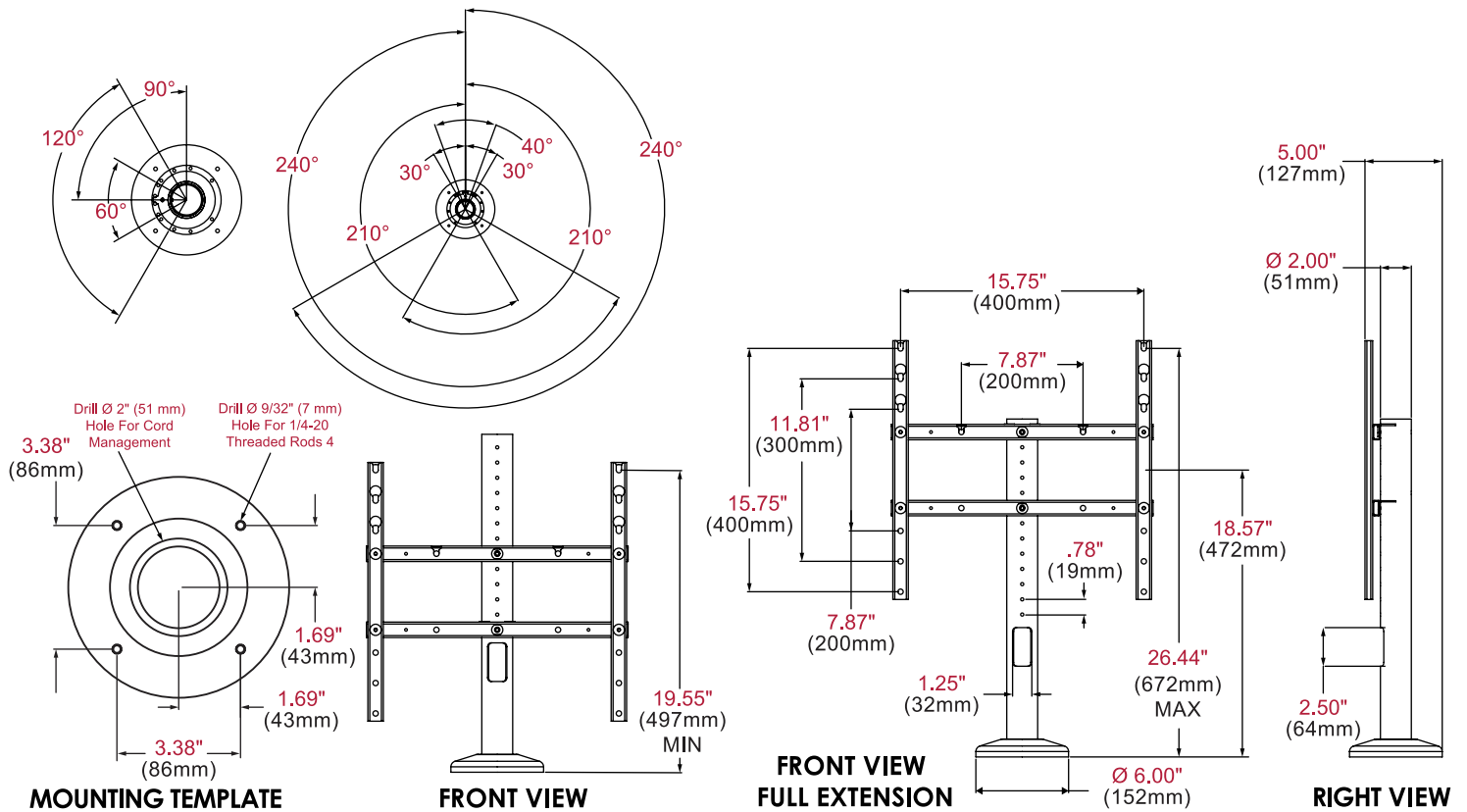
Product Specifications

	DIMENSIONS (W x H x D)	PRODUCT WEIGHT	LOAD CAPACITY	FINISH	AVAILABLE COLORS
HP455	17.00" x 27.00" x 6.00" (432 x 686 x 152mm)	9.3lb (4kg)	75lb (34kg)	Powder Coat	Black

Package Specifications

	PACKAGE SIZE (W x H x D)	PACKAGE SHIP WEIGHT	PACKAGE UPC CODE	PACKAGE CONTENTS	UNITS IN PACKAGE
HP455	31.75" x 8.50" x 3.75" (806 x 216 x 95mm)	11lb (5kg)	10735029291609	Base, Pole, Adaptor Brackets and Mounting Hardware	1

All dimensions = inch (mm)



Architect Specifications

The Universal Desktop Swivel Mount shall be a Peerless-AV model HP455 and shall be located where indicated on the plans. Assembly and installation shall be done according to instructions provided by the manufacturer.

Visit peerless-av.com to see the complete line of AV solutions from Peerless-AV, including outdoor displays, wireless, kiosks, digital audio, display mounts, projector mounts, carts/stands, and a full assortment of accessories.

Peerless-AV
2300 White Oak Circle
Aurora, IL 60502 USA

(800) 865-2112
(630) 375-5100
Fax: (800) 359-6500

Peerless-AV Europe
Unit 3 Watford Interchange
Colonial Way, Watford
Herts, WD24 4WP
United Kingdom
+44 (0) 1923 200100
Fax: +44 (0) 1923 200101

Peerless-AV de México
Ave de las Industrias 413
Parque Industrial Escobedo
Escobedo, N.L.,
Mexico 66062
+52 (81) 8384-8300
Fax: +52 (81) 8384-8360

