

## FPMA-D700DDV

### SPECIFICATIONS

#### GENERAL

Min. screen size*	10 inch
Max. screen size*	27 inch
Min. weight	0 kg (per screen)
Max. weight	6 kg (per screen)
Screens	2
VESA minimum	75x75 mm
VESA maximum	100x100 mm
Desk mount	Grommet Stand

#### FUNCTIONALITY

Type	Full motion Tilt Rotate Swivel
Height adjustment	0-70 cm
Depth adjustment	13 cm
Tilt (degrees)	180°
Swivel (degrees)	180°
Rotate (degrees)	360°
Adjustment type	Manual

#### INFORMATION

Color	Black
Main material	Steel
Warranty	5 year
EAN code	8717371444181

\*Please note: The inch sizes stated are just an indication, combined with the weight and VESA sizes. The maximum weight and VESA size are absolute restrictions for the products and should not be exceeded.

## NEOMOUNTS MONITOR DESK MOUNT



Neomounts



Neomounts

### Neomounts Tilt/Turn/Rotate Dual monitor desk mount (stand & grommet) for two 10-27" Monitor Screens ONE ABOVE OTHER, Height Adjustable - Black

The Neomounts desk mount, model FPMA-D700DDV is a tilt-, swivel and rotatable desk mount for 2 flat screens up to 27". This mount is a great choice for space saving placement on desks using a desk stand or grommet mount.

Neomounts versatile tilt (180°), rotate (360°) and swivel (180°) technology allows the mount to change to any viewing angle to fully benefit from the capabilities of the flat screen. The mount is manually height adjustable from 0 to 70 centimetres. Depth 13 centimetres.

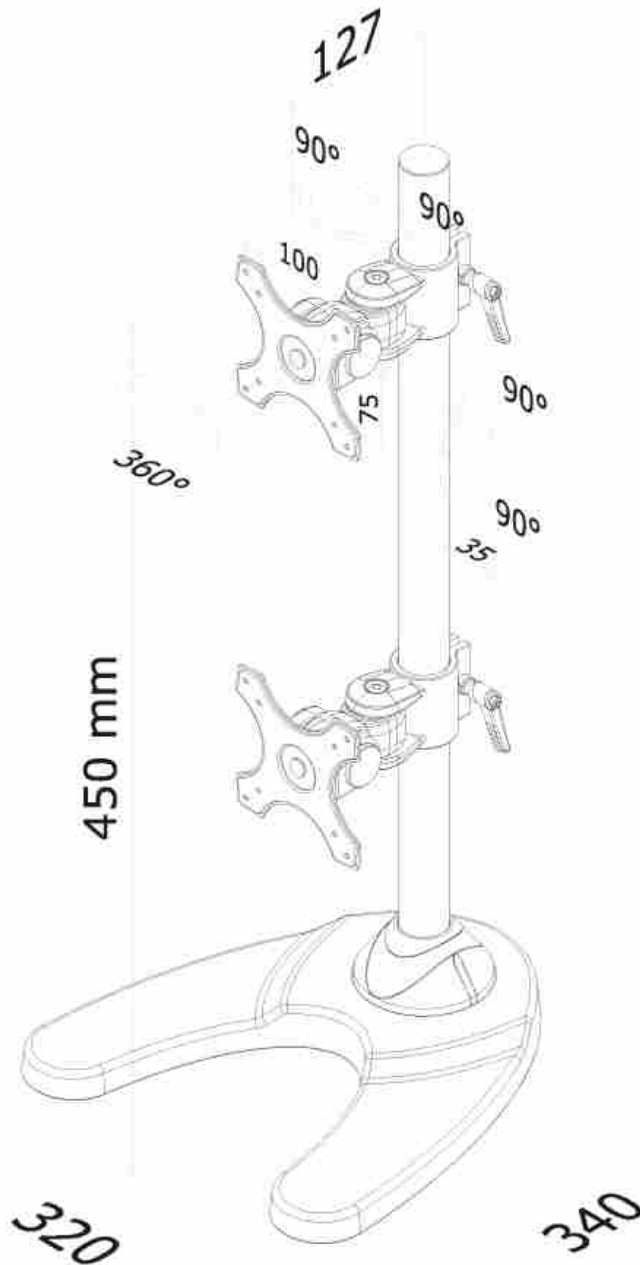
Neomounts FPMA-D700DDV has two pivot points and is suitable for screens up to 27" (69 cm). The weight capacity of this product is 6 kg each screen. The desk mount is suitable for screens that meet VESA hole pattern 75x75 or 100x100mm. Different hole patterns can be covered using Neomounts VESA adapter plates.

By using an ergonomic mount neck- and back complaints can be avoided. Ideal for use in offices and on counters or in a reception area.

All installation material is included with the product.

FPMA-D700DDV

NEOMOUNTS MONITOR DESK MOUNT



Neomounts

Measuring unit: mm