



FOR
 Yealink /
 Logitech /
 Poly Studio

BT7875

MOUNTING PLATE FOR LOGITECH MEETUP, POLY STUDIO X30 & YEALINK UVC40 / A20 / MEETINGEYE 400

The BT7875 is a mounting plate designed for mounting a Yealink UVC40, A20, MeetingEye 400, Poly Studio X30 or a Logitech MeetUp all-in-one video conferencing camera to a variety of B-Tech products. Using an adjustable accessory mounting arm, the BT7875 can be positioned above or below a screen mounted on a B-Tech at screen wall mount or to a BT8390 rail. The mounting plate is also compatible with Ø50mm collars for pole mounting, or alternatively can attach directly to B-Tech columns. The BT7875 platform is also suitable for mounting small VC cameras.

SPECIFICATION

Max Load	3kg
Dimensions	W: 90mm x D: 60mm x H: 63mm
Steel thickness	3mm
Colour	Black

FEATURES

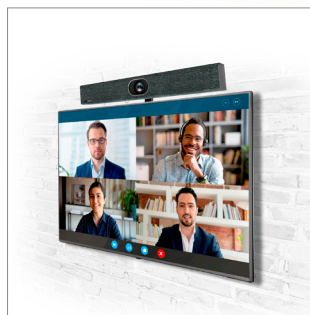
- Designed to mount Yealink UVC40, A20, MeetingEye 400, Poly Studio X30 and Logitech MeetUp VC cameras to a range of B-Tech products
- Also suitable for mounting a small VC camera using the central slot on the platform
- Mounts directly to a BT8380 / BT8381 Column
- Compatible with BT7052 / BT7841 Collars for use with Ø50mm Poles
- Use with a BT7031 Accessory Mounting Arm to mount on to a BT8431 / BT8432 / BT8441 / BT8442 / BT9901 / BT9903 Flat Screen Wall Mount
- Use with a BT8390-SA Accessory Mounting Arm to position camera above or below a screen mounted on a BT8390 System X Rail
- Simple installation
- All mounting hardware included



Suitable for Yealink UVC40 / A20 / Meeting Eye 400, Poly Studio X30 & Logitech MeetUp video conferencing cameras



Use with a BT8390-SA to mount speakers onto a BT8390 rail.

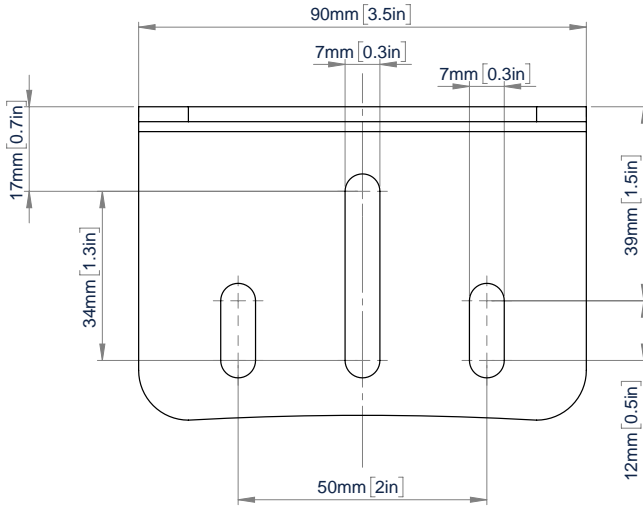


Suitable for mounting speakers above or below the screen.

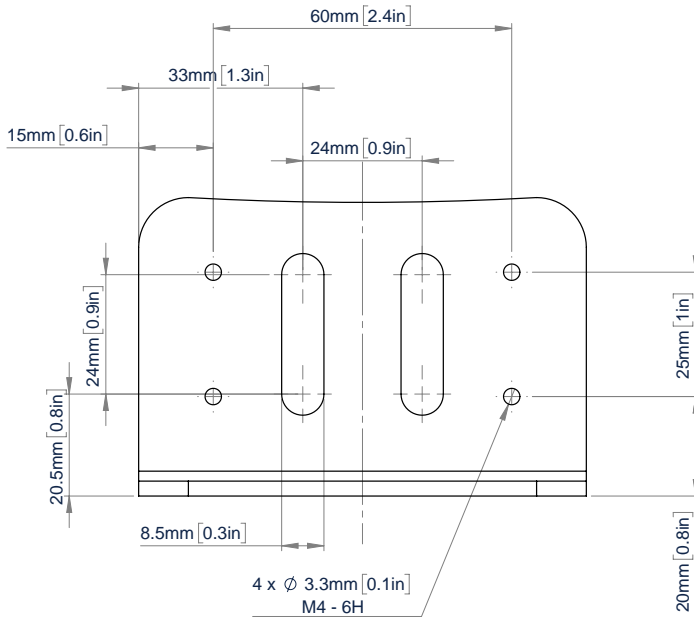


Mounts directly a B-Tech column or can be pole mounted using a Ø50mm collar

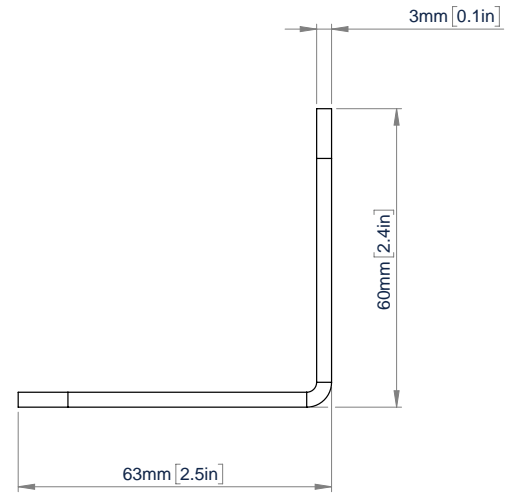




TOP VIEW



FRONT VIEW



SIDE VIEW

PACKING INFORMATION

COLOUR:	ORDER REF:	EAN CODE:
Black	BT7875/B V2	5019318307034

ACCESSORIES AND RELATED PRODUCTS



BT7031
Adjustable Accessory Mounting Arm allows mounted accessories to be positioned above or below the screen(s) on compatible B-Tech at screen wall mounts



BT8390-SA
Adjustable Accessory Mounting Arm allows mounted accessories to be positioned above or below the screen(s) from BT8390 System X Rails



BT8380 / BT8381 / BT8385
Mounts to any B-Tech Column for a fixed, freestanding or mobile applications



BT7871
Mounting Plate for UC/VC Video Bars allows the user to fit a Jabra Panacast 50, Poly Studio / X50 / X70 to a range of B-Tech products

© 2022 B-Tech Mounts Ltd. All rights reserved. This information is provided for informational purposes only. B-Tech Mounts Ltd. is not responsible for any damage or loss of data caused by the use of this product. B-Tech Mounts Ltd. is not responsible for any damage or loss of data caused by the use of this product. B-Tech Mounts Ltd. is not responsible for any damage or loss of data caused by the use of this product.