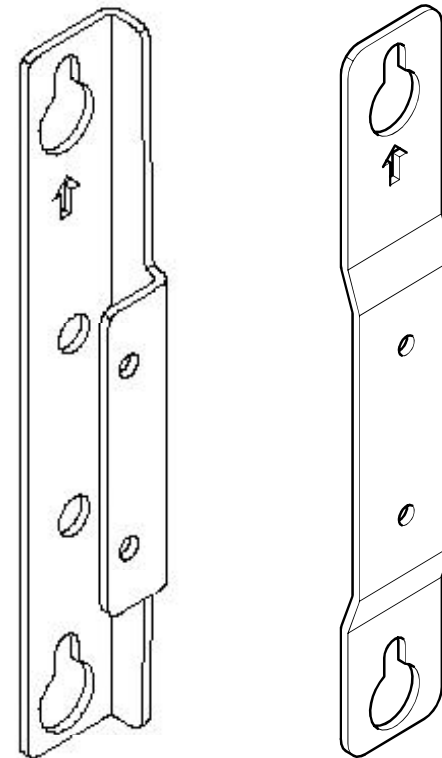


# Installation Guide

**SPDS2110 + SPDS2111**

**Wall Rail brackets**





## CAUTION

This product must be installed by a professional installer. It is recommended that more than one person are involved in the installation of this product.

This product is designed to be wall mounted. Before installing please verify that the wall can bear the combined weight of the solution and hardware. The recommended maximum distance between the brackets is 2 metres. Standard fixings for wooden material and fixings for concrete material are supplied as part of the product, but they will not be suitable for all types of walls.

Do not exceed the stated weight limits. The maximum weight limit on this product is 150 kg pr. wall mount.

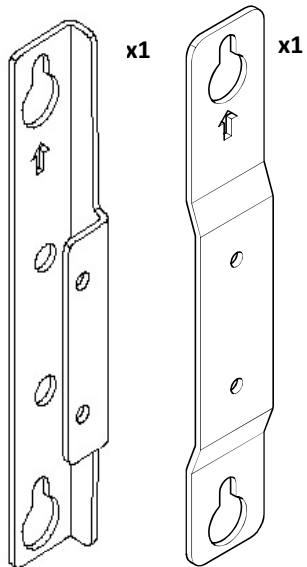
This product is intended for indoor use only. If these installation instructions are not followed precisely, it could lead to product failure and potential personal injury.

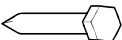

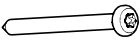



Ergonomic Solutions cannot be held responsible for any failure or injury, if the installation instructions are not followed correctly.

## Box content

SPDS2110

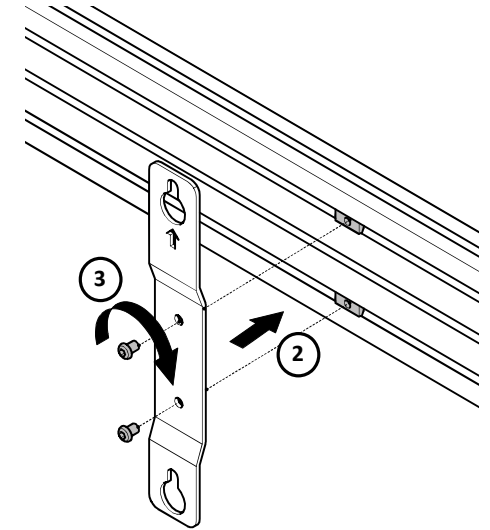
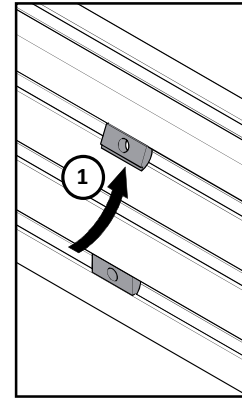
SPDS2111



-  x2 M8 x 60mm screw
-  x2 M10 x 50mm wall plug
-  x2 M6 x 70mm screw
-  x2 M8 washer
-  x2 M6 swivel in nut
-  x2 M6 x 10mm screw

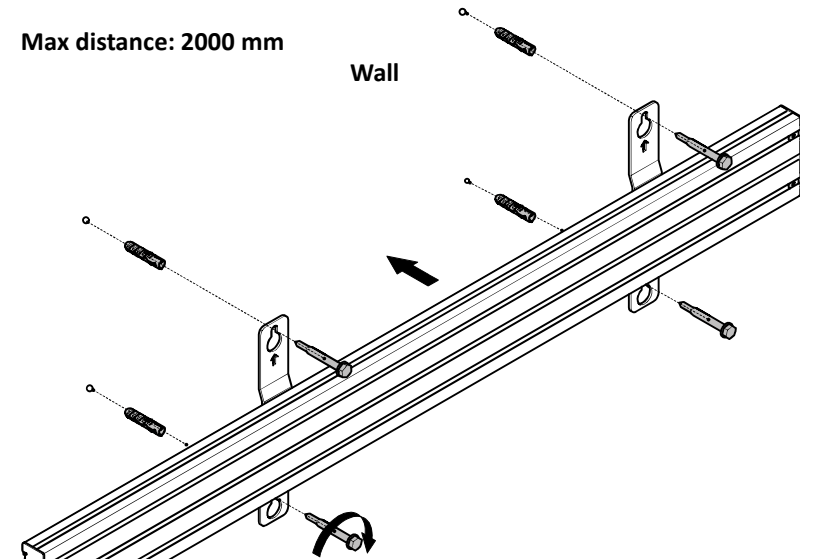
## 1 Mount wall bracket on rail

Swivel in nuts



## 2 Mount rail on wall

Max distance: 2000 mm



**WARNING:** Ensure that appropriate wall fixings are used