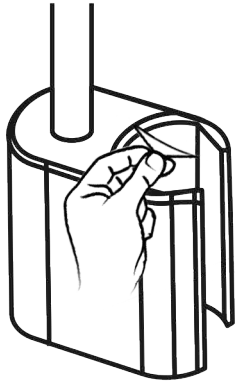


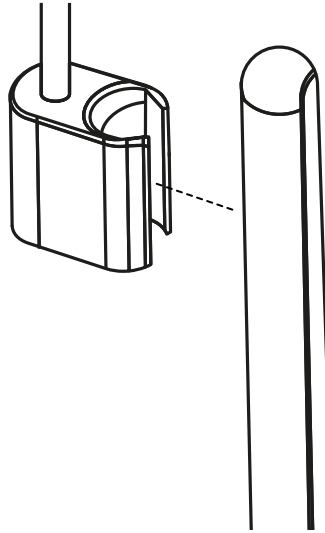
Apple Pen Cable Lock

Assembly Instructions

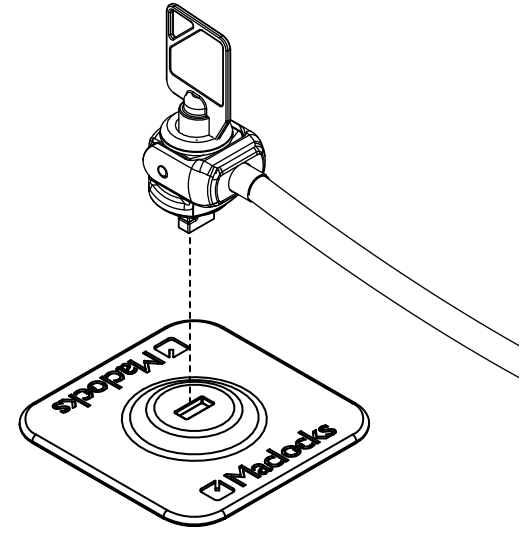
1 Remove the backing of the tape inside the pen holder of Apple Pen Cable Lock.



2 Stick the Apple Pen inside the holder.

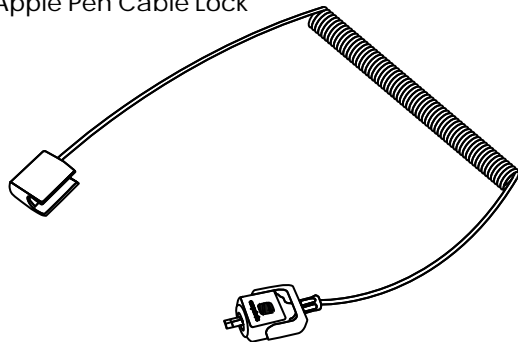


3 Lock the Lock Head of the Cable Lock (A) to the Universal Adhesive Security Plate (C).

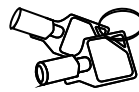


IN THE BOX

A Apple Pen Cable Lock



B Key



C Universal Adhesive Security Plate

