

PLCM-2  
PLCM-4



Display size  
up to 90"



Max load  
150lb (68.2kg)

**SMARTMOUNT.**

# Ceiling Mount Tilt Boxes

FOR UP TO 90" DISPLAYS

The SmartMount® PLCM-2 and PLCM-4 Ceiling Mount Tilt Boxes work with all 1.5" NPT extension pipes for versatility, support, and connection. The 1.5" NPT threaded pipes make it simple to customize each mount to your specific application. The PLCM Tilt Boxes can be used in conjunction with Peerless-AV's AEC or EXT columns, along with the PLP adaptor plates for custom ceiling mount applications. These tilt boxes provide -5° to 20° of forward tilt, and 360° of swivel, making it possible to find the perfect viewing angle.

*With 360° of side-to-side swivel you can create endless viewing possibilities from anywhere within your application.*



## Additional Features

- -5° to 20° adjustable tilt and 360° swivel
- PLCM-2 compatible with standard 1.5" NPT pipe (sold separately)
- PLCM-4 mounts in-line onto 1.9" or 2.0" extension columns for stacking multiple displays
- VESA® 75 x 75 and 100 x 100mm mounting pattern provided (display mounting hardware ACC918 not included)
- Additional display mounting adaptor plates available (sold separately)
- Ceiling plate and extension columns required (sold separately)

### HEAVY GAUGE CONSTRUCTION

Made entirely from cold rolled steel, providing maximum strength and reliability

### EASY ADJUSTMENT

5° back and up to 20° forward tilt helps set the perfect viewing angle

### MAXIMUM VIEWING POSSIBILITIES

360° of side-to-side swivel creates endless viewing possibilities from anywhere in the room



PLCM-2



Clamp-on Stackable Tilt Box, PLCM-4



Universal I-Shaped Adaptor plates PLP-UNM and PLCM-UNL, sold separately



PLCM-2: cULus RoHS

PLCM-2: Tilt Box for up to 90" Displays  
 PLCM-4: Stackable Tilt Box for up to 90" Displays

**Product Specifications**

	DIMENSIONS (W x H x D)	PRODUCT WEIGHT	LOAD CAPACITY	FINISH	AVAILABLE COLORS
PLCM-2	5.60" x 5.53" x 3.54" (142 x 140 x 90mm)	2.7lb (1.2kg)	150lb (68.2kg)	Powder Coat	Black
PLCM-4	5.60" x 6.09" x 3.54" (142 x 155 x 90mm)				

**Package Specifications**

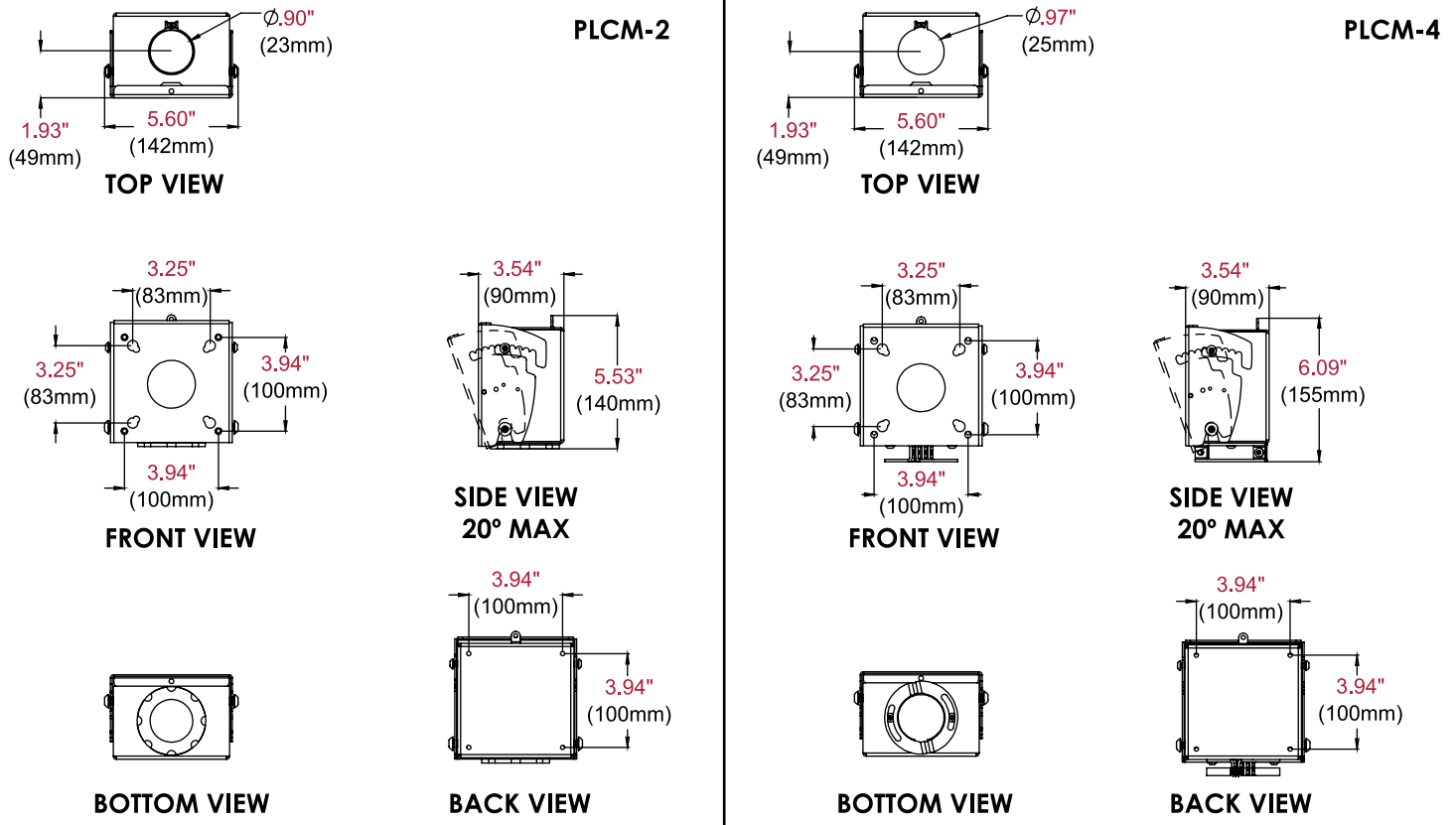
	PACKAGE SIZE (W x H x D)	PACKAGE SHIP WEIGHT	PACKAGE UPC CODE	PACKAGE CONTENTS	UNITS IN PACKAGE
PLCM-2	5.75" x 4.00" x 6.00" (146 x 102 x 152mm)	3.8lb (1.72kg)	735029214212	Tilt Box, mounting collar and installation instructions	1
PLCM-4			735029252023	Tilt box, stacking clamp and installation instructions	

**Accessories**

ACC, CMJ, DCS, DCT Models: Ceiling Plates  
 AEC Models: Adjustable Length Extension Columns  
 EXT Models: Fixed Length Extension Columns

PLP-UNM Universal I-Shaped Adaptor for 22" to 50" Displays  
 PLP-UNL: Universal I-Shaped Adaptor for 32" to 90" Displays  
 PLP-V models: Dedicated Display Adaptor  
 ACC918: VESA® 75 x 75 & 100 x 100mm Security Fasteners

All dimensions = inch (mm)



**Architect Specifications**

The Smartmount® Tilt Box shall be a Peerless-AV model PLCM-2 or PLCM-4 and shall be located where indicated on the plans. Assembly and installation shall be done according to instructions provided by the manufacturer.

Visit [peerless-av.com](http://peerless-av.com) to see the complete line of AV solutions from Peerless-AV, including outdoor displays, wireless, kiosks, digital audio, display mounts, projector mounts, carts/stands, and a full assortment of accessories.

**Peerless-AV**  
 2300 White Oak Circle  
 Aurora, IL 60502 USA  
 (800) 865-2112  
 (630) 375-5100  
 Fax: (800) 359-6500

**Peerless-AV Europe**  
 Unit 3 Watford Interchange  
 Colonial Way, Watford  
 Herts, WD24 4WP  
 United Kingdom  
 +44 (0) 1923 200100  
 Fax: +44 (0) 1923 200101

**Peerless-AV de México**  
 Ave de las Industrias 413  
 Parque Industrial Escobedo  
 Escobedo, N.L.,  
 Mexico 66050  
 +52 (81) 8384-8300  
 Fax: +52 (81) 8384-8360

