

HP432-002

# Desktop Swivel Mount

For 26" to 37" (66 to 94 cm) at panel TVs  
with VESA® 200 x 100, 100 x 200, 100 x 100 or 200 x 200 mm  
mounting hole patterns



The HP432-002 flat panel desktop swivel mount is designed as a functional and secure solution for desktop-mounted displays in hospitality applications. The mount directly bolts-down to the desktop surface for safety and security, with security screws that attach the display to the mount adapter plate. With up to 30-degrees of swivel each direction, this mount provides a low-cost solution to fit a variety of needs and room configurations.



TV size: 26"-37" (66-94 cm)



Max load: 80 lb (36 kg)

## FEATURES

- Built-in 60° maximum swivel, 30° each side allows for a variety of viewing angles
- Base plate bolts down for safety and security
- Adjustable height\* allows for flexibility of display sizes and levels
  - \* 21.76" to 15.7" (measured from the desktop to the top mounting hole)
- Built in adapter plate is VESA® 200 x 200, 200 x 100, 100 x 200 and 100 x 100 mm compatible
- Security screws prevent tampering and theft

### ■ SECURE INSTALLATION

Prevent tampering or theft with security screws attaching the mounting adapter plate to the display

### ■ VIEWING FLEXIBILITY

Offers up to 60° of swivel for flexible TV positioning, 30° each side

### ■ ADJUSTABLE HEIGHTS

Easy vertical adjustment to accommodate a variety of display model sizes

### ■ SIMPLE INSTALLATION

Four bolts quickly attach to the desktop surface to secure the display and mount in-place



HP432-002	Desktop Swivel Mount for 26" to 37" (66 to 94 cm) flat panel TVs with VESA® 200 x 100, 100 x 200, 100 x 100 or 200 x 200 mm mounting hole patterns
-----------	--

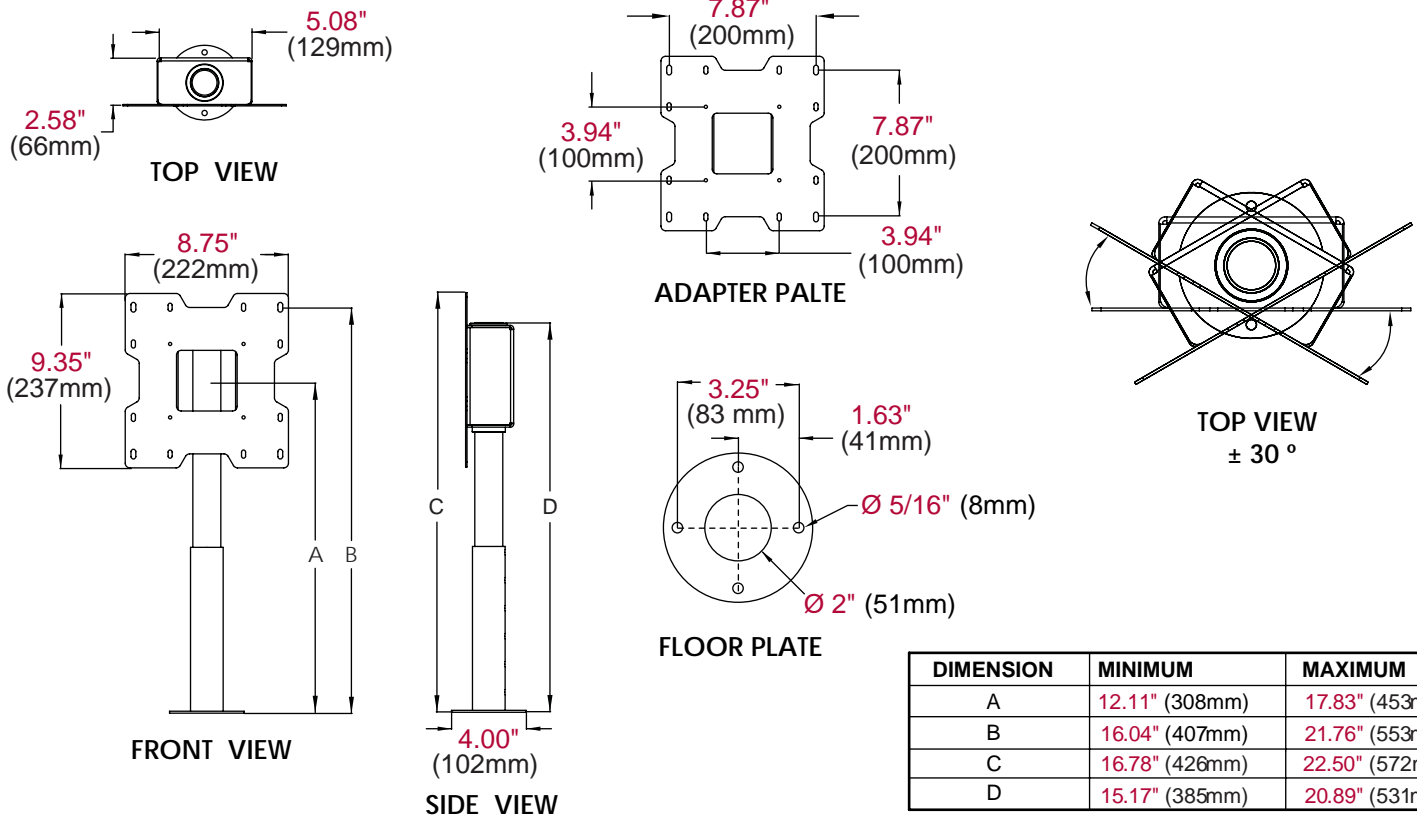
Product Specifications

	DIMENSIONS (W x H x D)	PRODUCT WEIGHT	LOAD CAPACITY	FINISH	AVAILABLE COLORS
HP432-002	8.75" x 22.5" x 4" (222 x 572 x 102 mm)	6 lb (2.72 kg)	80 lb (36 kg)	Scratch resistant fused epoxy	Black

Package Specifications

	PACKAGE SIZE (L x W x H)	PACKAGE SHIP WEIGHT	PACKAGE UPC CODE	PACKAGE CONTENTS	UNITS IN PACKAGE
HP432-002	9.75" x 5.63" x 19.38" (248 x 143 x 492 mm)	6.7 lb (3.04 kg)	735029252375	Swivel tube, base tube, adapter plate, adapter box, fastener packet	1

All dimensions = inch (mm)



DIMENSION	MINIMUM	MAXIMUM
A	12.11" (308mm)	17.83" (453mm)
B	16.04" (407mm)	21.76" (553mm)
C	16.78" (426mm)	22.50" (572mm)
D	15.17" (385mm)	20.89" (531mm)

ARCHITECTS SPECIFICATIONS

The Desktop Swivel Mount shall be a Peerless model HP432-002 and shall be located where indicated on the plans. The finish shall be scratch resistant black fused epoxy. Assembly and installation shall be done according to instructions provided by the manufacturer.

Peerless Industries, Inc. ■ 2300 White Oak Circle ■ Aurora, IL 60502 ■ (800) 865-2112 ■ (630) 375-5100 ■ Fax: (800) 359-6500 ■ peerless-av.com

Visit peerless-av.com to see the complete line of AV solutions from Peerless-AV, including at panel mounts, projector mounts, carts/stands, furniture, cables, screen cleaners and a full assortment of accessories.