

SF630(P)



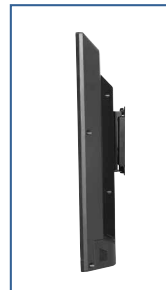
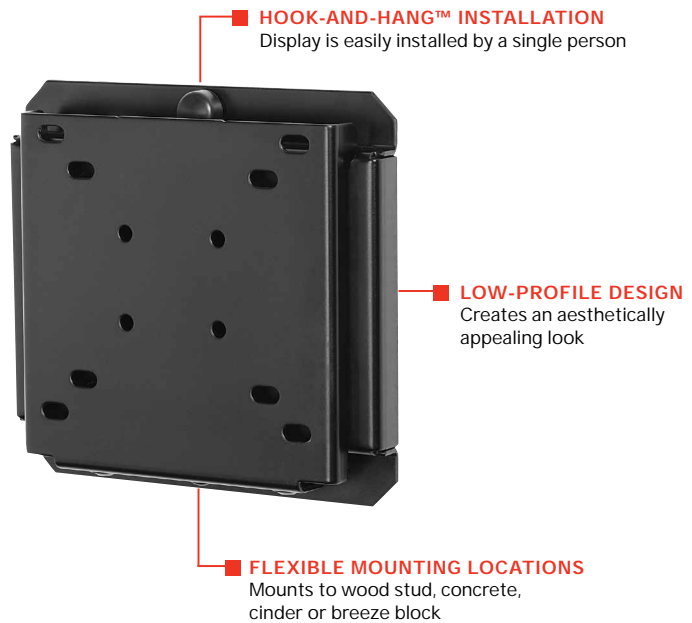
	<b>Mounting Pattern</b>		<b>Max Load</b>
	75 x 75, 100 x 100mm		80lb (36kg)

# SMARTMOUNT® Flat Wall Mount

FOR 10" TO 29" DISPLAYS\*

The SmartMount® Flat Wall Mount series offers the most versatile installation features and mounting options. The SF630(P) models' low-profile design offers a sleek, aesthetically pleasing look to fit into any décor. Security screws provided in the SF630 model deter tampering and theft. The display can now simply be installed by a single person with the Hook-and-Hang™ system. The Easy-Glide™ adaptors hook onto the wall plate for an overall quick, simple and secure installation.

- Accommodates 75 x 75 or 100 x 100mm VESA® mounting patterns
- Slim design positions the display only 0.96" (24mm) from the wall
- Display adaptor simply slides into the wall plate for quick and easy installation
- Includes all necessary wall and display attachment hardware
- Integrated security options available
- Design is UL listed and tested to four times stated load capacity
- For mounts requiring theft resistant hardware, installed with security tool (included), please purchase SF630
- For mounts requiring standard hardware, installed with a Phillips screwdriver, please purchase SF630P



Low-profile design for a sleek, yet compact installation.



Comes in color packaging with included installation hardware and easy to follow instructions.



Please visit [peerless-av.com/en-us/patents](http://peerless-av.com/en-us/patents) for patent information.

\*This display size range is simply a guideline for product selection. Displays larger than the screen size range may still be compatible as long as they fall within the VESA® pattern and max weight of the Peerless-AV® product.

SF630P	SmartMount® Flat Wall Mount for 10" to 29" Displays - Standard Models
SF630	SmartMount® Flat Wall Mount for 10" to 29" Displays - Security Models

Product Specifications

	DIMENSIONS (W x H x D)	PRODUCT WEIGHT	LOAD CAPACITY	FINISH	AVAILABLE COLORS
SF630(P)	6.02" x 5.75" x 0.96" (153 x 146 x 24mm)	1.55lb (0.70kg)	80lb (36kg)	Scratch Resistant Fused Epoxy	Semi-Gloss Black

Package Specifications

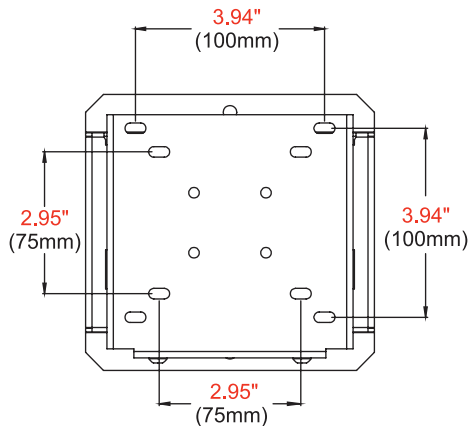
	PACKAGE SIZE (W x H x D)	PACKAGE SHIP WEIGHT	PACKAGE UPC CODE	PACKAGE CONTENTS	UNITS IN PACKAGE
SF630(P)	9.38" x 2.90" x 8.25" (238 x 74 x 210mm)	2.2lb (1.0kg)	SF630: 735029236191 SF630P: 735029236214	Wall Mount, Wall and Display Installation Hardware, Installation Instructions	1

Accessories

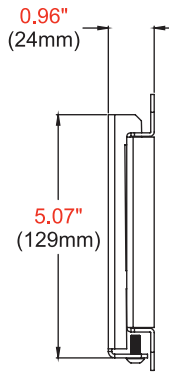
ACC215: 2-pack Metal Stud Fastener Kit  
ACC2X1: VESA® 200 x 100mm Adaptor Plate

ESHV models: AV Wall Shelves  
IBA4-W: Easy Mount Recessed Low Voltage Cable Plate  
IBA5-W: Recessed Low Voltage Media Plate with Duplex Surge Suppressor

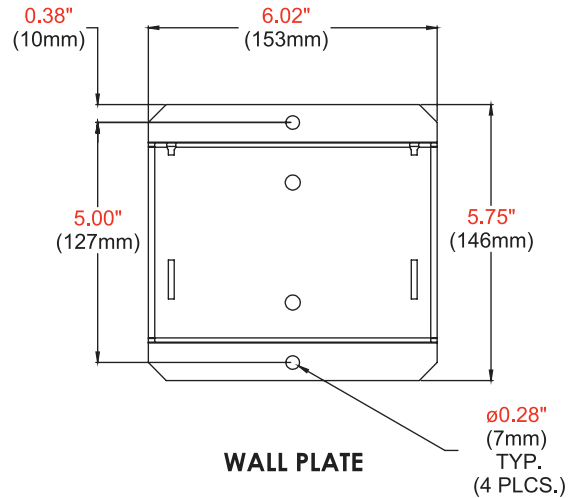
All dimensions = inch (mm)



FRONT VIEW



SIDE VIEW



WALL PLATE

Architect Specifications

The SmartMount® Flat Wall Mount shall be a Peerless-AV model SF630(P) and shall be located where indicated on the plans. Assembly and installation shall be done according to instructions provided by the manufacturer.

Visit [peerless-av.com](http://peerless-av.com) to see the complete line of AV solutions from Peerless-AV, including outdoor displays, kiosks, digital audio, display mounts, projector mounts, carts/stands, and a full assortment of accessories.

**Peerless-AV**  
2300 White Oak Circle  
Aurora, IL 60502 USA  
**(800) 865-2112**  
**(630) 375-5100**  
**Fax: (800) 359-6500**

**Peerless-AV EMEA**  
Unit 3 Watford Interchange  
Colonial Way, Watford  
Herts, WD24 4WP  
United Kingdom  
**+44 (0) 1923 200100**  
**Fax: +44 (0) 1923 200101**

**Peerless-AV Latin America**  
Av. de las Industrias 413  
Parque Industrial Escobedo  
General Escobedo, N.L.,  
México, 66062  
**+52 (81) 8384-8300**  
**Fax: +52 (81) 8384-8360**

