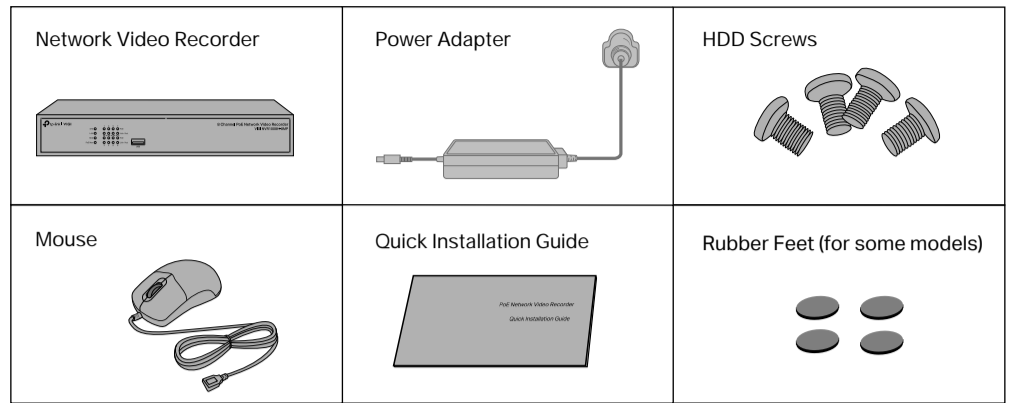


# Quick Installation Guide

PoE Network Video Recorder

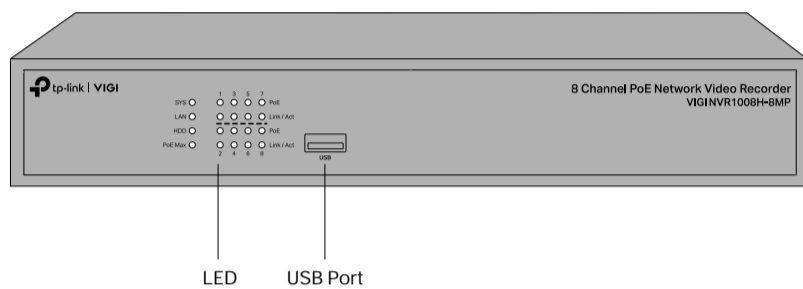
\*Images may differ from actual products. VIGI NVR1008H-8MP is used for demonstration in this guide  
©2023 TP-Link 7106510134 REV1.1.0

## 1 Package Contents

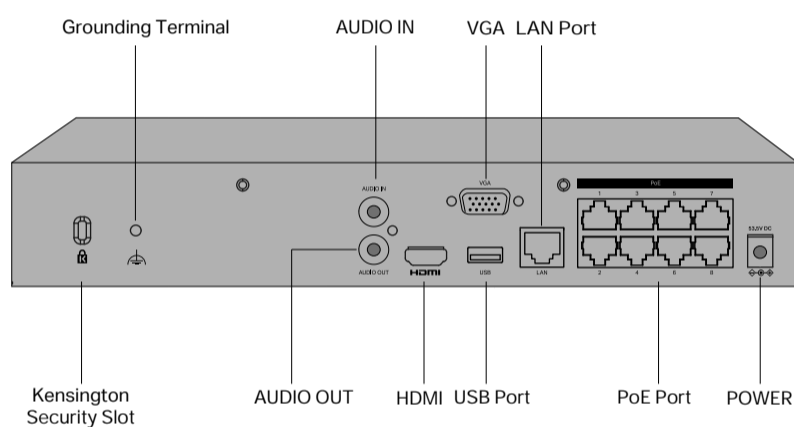


## 2 Product Overview

### Front Panel



### Back Panel



- **Kensington Security Slot:** Secure the lock (not provided) into the security slot to prevent the device from being stolen.
- **Grounding Terminal:** The device comes with lightning protection mechanism.

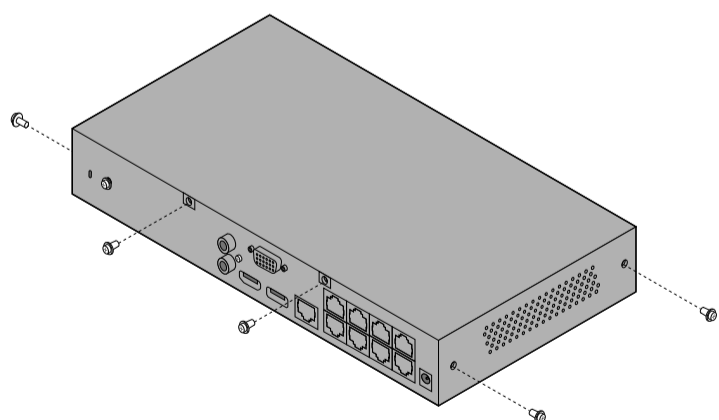
| LED        | Indication   |
|------------|--|
| SYS        | On: System is running normally.<br>Off: System is running abnormally.  |
| LAN        | On: Network is working properly.<br>Flashing: Data is being transmitted or received.<br>Off: Network is malfunctioning.  |
| HDD        | On: The HDD is normal.<br>Off: No HDD or the HDD is malfunctioning.  |
| PoE Max    | On: The total PoE power reaches the warning threshold.<br>Flashing: The total PoE power has reached the warning threshold for more than 2 minutes.<br>Off: The total PoE power does not reach the warning threshold. |
| PoE        | On: The port is supplying power normally.<br>Flashing: Overload or short circuit is detected.<br>Off: Not providing PoE power on the port.   |
| Link / Act | On: A device is linked to the port but no activity.<br>Flashing: Transmitting or receiving data.<br>Off: No device is linked to the corresponding port.  |

| Interface            | Description   |
|----------------------|---|
| AUDIO IN / AUDIO OUT | Connector for audio input and output.<br>Note: Audio input only supports microphones with power supply.                                       |
| HDMI                 | Output port for high-definition audio and video signals. Connect your monitor to this port if it uses HDMI connection.                        |
| VGA                  | Output port for analog video signals. Connect your monitor to this port if it uses VGA connection.  |
| USB                  | 2 USB ports for additional devices such as USB mouse, USB storage device, and USB keyboard.   |
| LAN                  | RJ45 10/100Mbps self-adaptive Ethernet port. Connect to an Ethernet device (eg. router and switch).   |
| PoE                  | Designed to connect to the device with a bandwidth of 100/10 Mbps. The port can also provide power for PoE PDs (recommended for PoE cameras). |
| POWER                | Connector for power input.  |

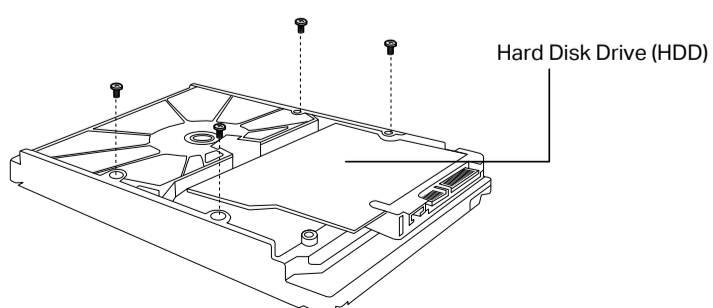
## 3 Hard Drive Installation

When installing for the first time, please prepare a 3.5-inch hard disk drive (HDD). It is recommended to use the HDD of surveillance or enterprise level. Before installation, please disconnect the power from the network video recorder (NVR).

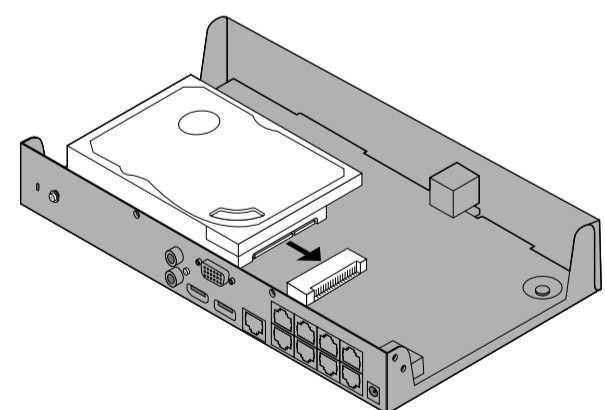
1. Remove the fixing screws on the side and back panels to open the cover of the NVR.



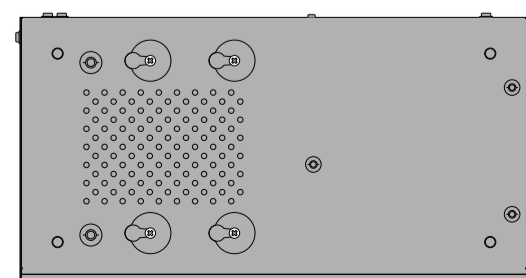
2. Attach the 4 included HDD screws to your hard drive. Do not fasten.



3. Match the 4 screws on the HDD with the 4 holes on the NVR, and insert the HDD interface into the slot.



4. Flip the NVR upside down and fasten the HDD screws. Replace the cover and fasten the screws of the NVR.




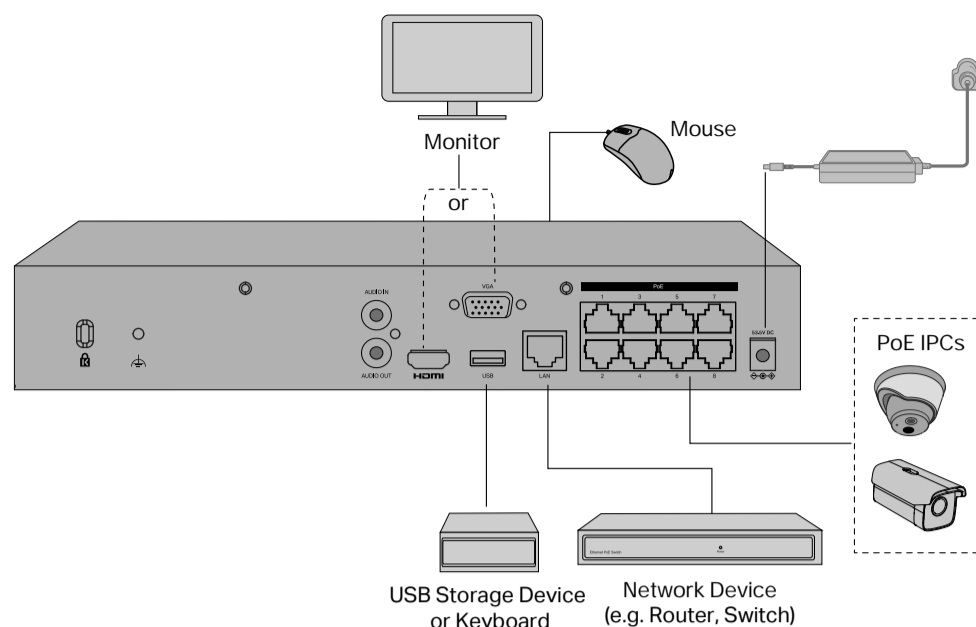
## 4 Hardware Connection

Follow the steps below to complete the hardware connection.

1. Connect your monitor to the HDMI or VGA port according to the connection port it supports.
2. Connect your monitor to a power source and turn it on.
3. Connect the LAN port of the NVR to a network device with an Ethernet cable.
4. Connect the provided USB Mouse to the USB Interface of the NVR.
5. Connect the power adapter to the NVR.

### ⚠ Cautions

- If you want to turn off the NVR after installing the hard drive, right click on the Live View screen and click the Power button  on Main Menu of your monitor. Do not unplug it directly.
- The input voltage should match the power requirements of the NVR.
- The buzzer on the NVR may be triggered when no hard drive is installed or the hard drive in the NVR hasn't been initialized. You can turn it off in Event-Exception Detection-Disk Exception.



## 5 Configuration

NVR can add and manage cameras in batches.

\* Here we use TP-Link cameras as an example. For other camera brands, please refer to their User Manuals to add the cameras.

**Step 1. Connect your cameras to the PoE ports of the NVR or the same network as your NVR.**

**Step 2. Follow the instructions to finish Quick Setup.**

1. Create a login password for the NVR and a preset password for your unset cameras.

Note: Enter an email address for resetting the password of NVR or cameras.

2. Click **Auto Initialize** and the NVR will automatically find and add the cameras in your network.

Note: If you don't want to use Auto Initialize, click Manually Initialize and follow the Setup Wizard to add cameras in your network and complete the setup.

**Step 3. Right click on the Live View screen to open the Main Menu for management.**

**(Optional) Step 4. Bind your NVR to a TP-Link ID for remote access and management.**

1. Right click on the Live View screen and click Settings.
2. Click Cloud Services on the top, enter your TP-Link ID and password, and click Bind.

Note:

- Make sure your NVR can get access to the internet before binding.
- If you don't have a TP-Link ID, sign up first.
- If your NVR fails to connect to the Internet, please refer to FAQ-Q3.
- For more instructions, please refer to the NVR's User Guide.

If you want to add a camera after Quick Setup, please follow the steps below:

1. Right click on the Live View screen and click Add Camera.
2. Select a camera and click + to add your camera directly. If you have disabled Plug and Play on your NVR, please create a password or use the preset password for your unset camera.

Note:

- The password preset for cameras in Quick Setup will be applied to your unset cameras.
- If your cameras have been activated, use the previous passwords to add and manage the cameras.
- If you can't find your camera, refer to FAQ-Q2.

## More Management Methods

You can add and manage your devices via any of the methods below.

### Method 1: Via the VIGI Security Manager (Windows only)

View live video and modify NVR settings on your computer.

1. Download the VIGI Security Manager on your computer at <https://www.tp-link.com/support/download/vigi-security-manager/>.
2. Install the VIGI Security Manager and open it.
3. NVR on the same network as your computer can be automatically discovered. Go to Settings > Discovered Devices, click Add, and follow the instructions to add your NVR.

### Method 2: Via the TP-Link VIGI App

Remotely view live video, manage NVR, and get instant alerts.

1. Download and install the TP-Link VIGI app.



2. Open the app and log in with your TP-Link ID. If you don't have an account, sign up first.
3. Tap the + button on the top right and follow the app instructions to add your NVR.

### Method 3: Via a Web Browser

View live video and modify NVR settings via a web browser.

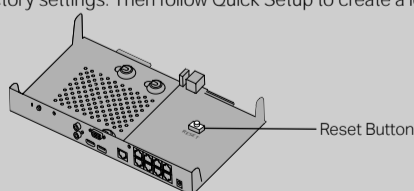
1. Find the NVR's IP address on your router's client page.
2. On your local computer, open a web browser and enter <https://NVR's IP address> (<https://192.168.0.240> by default).
3. Select your Country/Region and Time Zone.
4. Set a password to activate the NVR.

Done. You can manage and change NVR settings, and add cameras on the web management page.

## Frequently Asked Questions

**Q1. What should I do if I forget the login password of my NVR?**

- A1. Click **Forgot Password** on the login page and then follow the instructions to reset the password.
- A2. Remove the cover, then press and hold the Reset button inside the NVR for over 3 seconds. The NVR will restore to the factory settings. Then follow Quick Setup to create a login password.



**Q2. What can I do if no cameras are found?**

- A1. Refresh to discover your cameras again.
- A2. Make sure the cameras are powered on.
- A3. Make sure your cameras and NVR or computer are in the same network.
- A4. Try to add your cameras manually.

**Q3. What can I do if my NVR fails to connect to the Internet?**

- A1. Check if the internet is working properly.
- A2. Make sure your NVR is in the same network segment as your network devices, or select **Auto** as the mode to configure the NVR to obtain a dynamic IP address. For more details, please refer to the NVR's User Guide.

If you have more questions, please visit <https://www.tp-link.com/support/faq/2850/>.

The terms HDMI, HDMI High-Definition Multimedia Interface, and the HDMI Logo are trademarks or registered trademarks of HDMI Licensing Administrator, Inc.



## Safety Information

- This device is restricted to indoor use only.
- Keep the device away from water, fire, humidity or hot environments.
- Do not attempt to disassemble, repair, or modify the device.
- Do not use damaged charger or USB cable to charge the device.
- Do not use any other chargers than those recommended.
- Adapter shall be installed near the equipment and shall be easily accessible.
- Use only power supplies which are provided by manufacturer and in the original packing of this product. If you have any questions, please don't hesitate to contact us.
- Avoid disposal of a battery into fire or a hot oven, or mechanically crushing or cutting of a battery, that can result in an explosion.
- Place the device with its bottom surface downward. Install it at stable places, and prevent it from falling.
- The power adapter must be used indoors. Make sure that the temperature of the power adapter is within 0-40°C.
- The plug on the power supply cord is used as the disconnect device, the socket-outlet shall be easily accessible.
- CAUTION: RISK OF EXPLOSION IF BATTERY IS REPLACED BY AN INCORRECT TYPE. DISPOSE OF USED BATTERIES ACCORDING TO THE INSTRUCTIONS.

• [This equipment is not suitable for use in locations where children are likely to be present.]

\*Some devices may be incompatible, such as wireless mouse. Please read and follow the above safety information when operating the device. We cannot guarantee that no accidents or damage will occur due to improper use of the device. Please use this product with care and operate at your own risk.

### CAUTION!

Avoid replacement of a battery with an incorrect type that can defeat a safeguard. Avoid disposal of a battery into fire or a hot oven, or mechanically crushing or cutting of a battery, that can result in an explosion. Do not leave a battery in an extremely high temperature surrounding environment that can result in an explosion or the leakage of flammable liquid or gas. Do not leave a battery subjected to extremely low air pressure that may result in an explosion or the leakage of flammable liquid or gas.

TP-Link hereby declares that the device is in compliance with the essential requirements and other relevant provisions of directives 2014/30/EU, 2014/35/EU, 2009/125/EC, 2011/65/EU and (EU)2015/863. The original UK Declaration of Conformity may be found at <https://www.tp-link.com/en/support/ce/>

TP-Link hereby declares that the device is in compliance with the essential requirements and other relevant provisions of the Electromagnetic Compatibility Regulations 2016 and Electrical Equipment (Safety) Regulations 2016. The original UK Declaration of Conformity may be found at <https://www.tp-link.com/support/ukca/>

For technical support, the user guide and other information, please visit <https://www.tp-link.com/support>, or simply scan the QR code.

To ask questions, find answers, and communicate with TP-Link users or engineers, please visit <https://community.tp-link.com> to join TP-Link Community.

