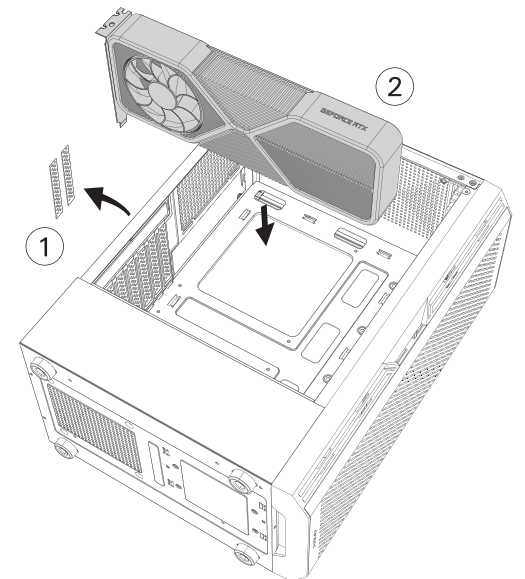
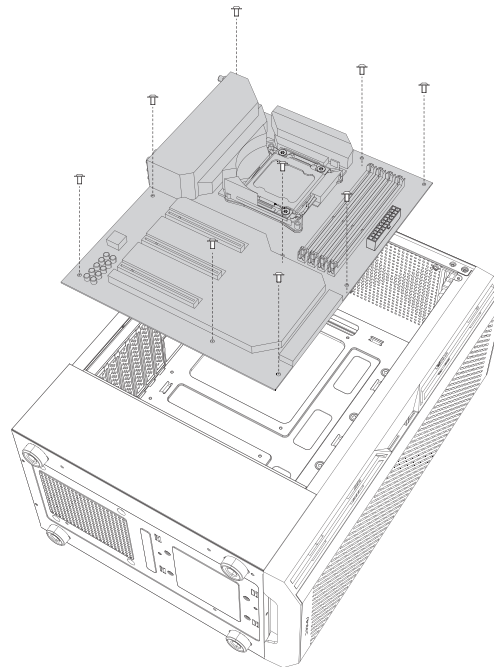
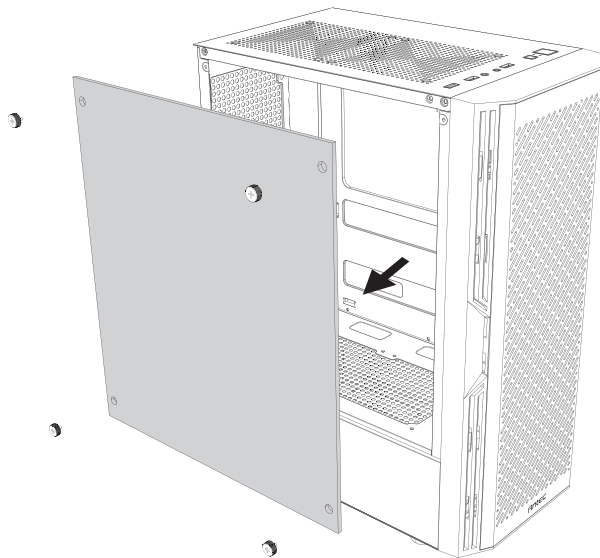


AX20

- 1 REMOVE SIDE PANEL**
 EXTRACCIÓN DEL PANEL LATERAL
 SEITENWAND ENTFERNEN
 RETIRER LE PANNEAU LATÉRAL
 사이드 패널 분리
 サイドパネルを取り外します
 拆下側面板

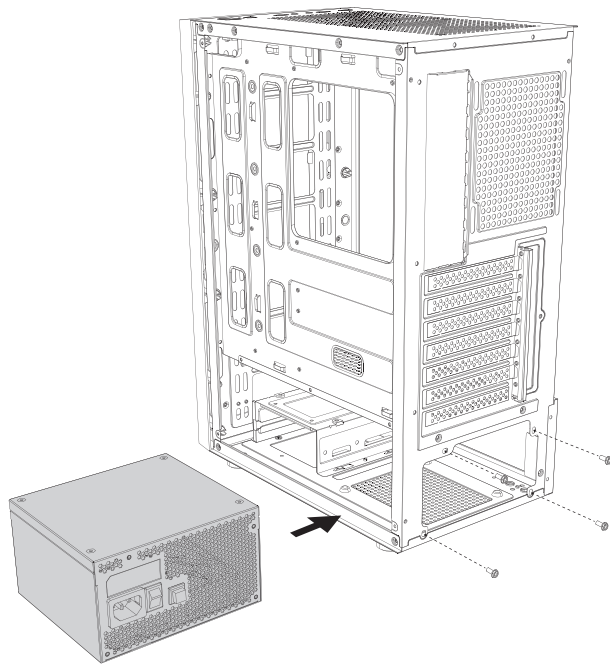
- 2 MOTHERBOARD INSTALLATION**
 INSTALACIÓN DE LA PLACA BASE
 INSTALLATION DES MOTHERBOARDS
 INSTALLATION DE LA CARTE MÈRE
 메인보드 장착
 マザーボードの設置
 安装主板

- 3 VGA/PCI-EXPRESS CARD INSTALLATION**
 INSTALACIÓN EXPRES DE LA TARJETA VGA/PCI
 VGA / PCI-EXPRESS KARTENINSTALLATION
 INSTALLATION DE LA CARTE VGA/PCI-EXPRESS
 VGA/PCI-E 카드 장착
 VGA/PCI-Eの設置
 安装VGA/PCI-E卡



4 POWER SUPPLY INSTALLATION

INSTALACIÓN DE LA FUENTE DE ALIMENTACIÓN
INSTALLATION DES NETZTEILS
INSTALLATION DU BLOC D'ALIMENTATION
파워서프라이 장착
電源の設置
安裝电源组件

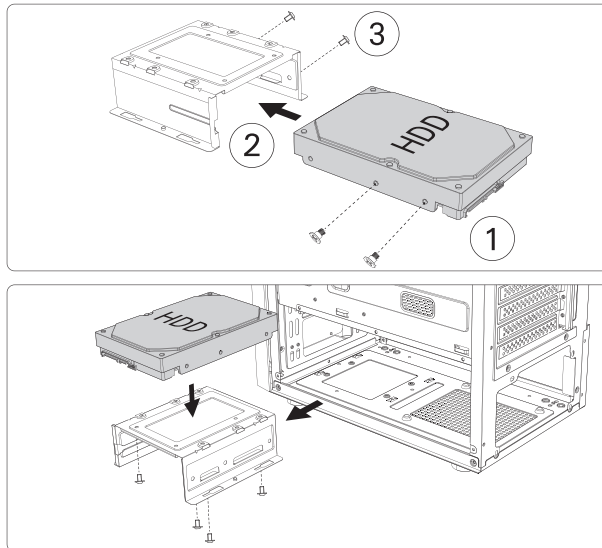


5 HARD DISK INSTALLATION

INSTALACIÓN DEL DISCO DURO
FESTPLATTENINSTALLATION
INSTALLATION DES DISQUES DURS
드라이브 장착
ドライブの設置
安裝驱动器

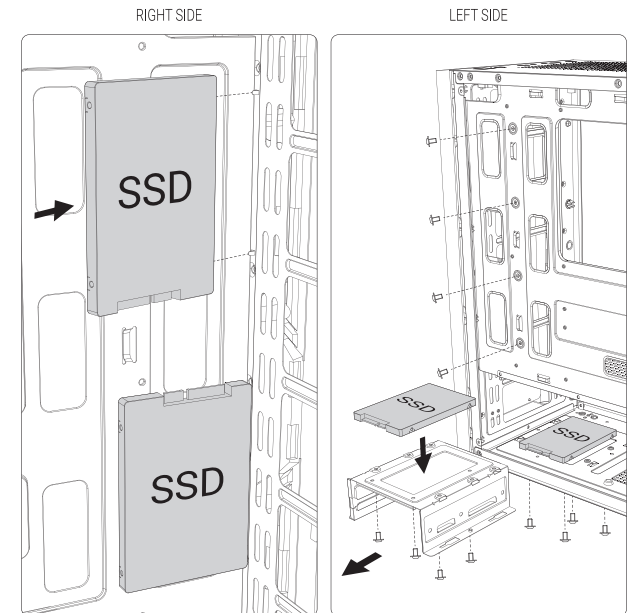
A. INSTALLING A 3.5" HARD DISK DRIVE

INSTALAR UNA RANURA DE DISCO DURO DE 3.5"
INSTALLATION EINES 3.5" FESTPLATTENLAUFWERKS
INSTALLER UN DISQUE DUR 3.5"
3.5" HDD 장착
3.5" 드라이브의設置
3.5寸硬盘安裝



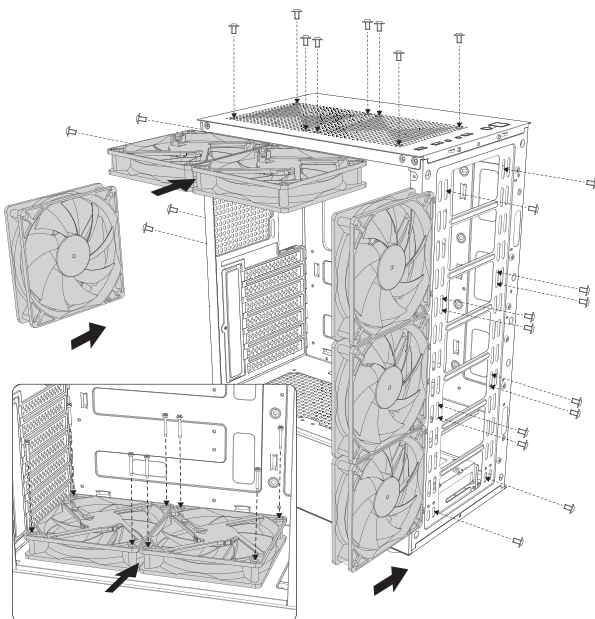
B. INSTALLING A 2.5" SOLID STATE DRIVE

INSTALAR UNA RANURA SOLID STATE DE 2.5"
INSTALLATION EINES 2.5 ZOLL SSD
INSTALLER UN DISQUE DUR 2.5"
2.5" SSD 장착
2.5" 드라이브의設置
2.5寸硬盘安裝



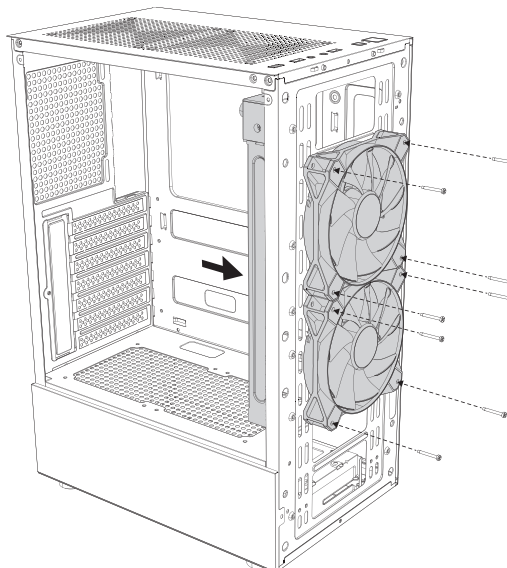
6 FAN INSTALLATION

INSTALAR VENTILADOR
LÜFTERINSTALLATION
INSTALLATION DU VENTILATEUR
팬 장착
ケースファンの設置
风扇安裝



7 INSTALLING LIQUID COOLING RADIATOR

INSTALAR EL RADIADOR DE REFRIGERACIÓN LÍQUIDA
INSTALLATION EINES FLÜSSIGKEITSKÜHLERS
INSTALLATION D'UN KIT DE REFOUÏSSMENT LIQUIDE
수냉쿨러 장착
水冷の設置
水冷安裝



Antec®

www.Antec.com

All rights reserved. Specifications are subject to change without prior notice. Actual products and accessories may differ from illustrations. Omissions and printing errors excepted. Content of delivery might differ in different countries or areas. Some trademarks may be claimed as the property of others.

V2.2

©1986 – 2022 Antec, Inc. All rights reserved.