

## Desk Clamp Keyboard Tray

### Product Diagram (KEYBOARD-TRAY-CLAMP1)



Component	Function
1 Desk Clamp, Left	• Attach the <b>Keyboard Tray</b> to the <b>Desk</b>
2 Keyboard Tray	• Place a keyboard and a mouse on the <b>Keyboard Tray</b>
3 Desk Clamp, Right	• Attach the <b>Keyboard Tray</b> to the <b>Desk</b>
4 Clamp Knob	• Turn by hand to secure the <b>Clamp</b> to the <b>Desk</b>
5 Height Adjustment L Bracket	• Adjust the height between the <b>Desk</b> and the <b>Keyboard Tray</b> • Attach the <b>Keyboard Tray</b> to the <b>Desk Clamp</b>

### Package Contents

- Keyboard Tray x 1
- Height Adjustment Screws x 5
- Tray Mounting Screws x 5
- Height Adjustments L Brackets x 2
- Desk Clamp Left x 1
- Desk Clamp Right x 1
- Quick-star Guide x1

### Requirements

For the latest manuals, product information, technical specifications, and declarations of conformance, please visit: [www.startech.com/KEYBOARD-TRAY-CLAMP1](http://www.startech.com/KEYBOARD-TRAY-CLAMP1)

- Phillips Head Screwdriver

### Installation

#### **WARNING!**

*Do not exceed the weight capacity of this product. Overloading this product might result in injury or property damage. This product can support the following weight: up to 11.8 kg (26 lbs).*

*Ensure the mounted **Keyboard Tray** is properly secured to the **Desk** before use.*

### Attach the Desk Clamp to the Height Adjustment L Brackets

1. Determine the desired height between the **Desk** and the **Keyboard Tray**: 100, 120, or 140 mm (3.9, 4.7, or 5.5 in). Each row of holes on the **Height Adjustment L Bracket** are spaced 20 mm apart. The row of holes, located closest to the bend of the **Height Adjustment L Brackets**, provides the minimum height adjustment setting of 100 mm (3.9 in).
2. Secure the **Height Adjustment L Bracket** to the **Desk Clamps** using the **Height Adjustment Screws** (x2 shorter screws) and tighten using a **Phillips Head Screwdriver** to complete the first **Desk Clamp Assembly** (*Figure 1*).

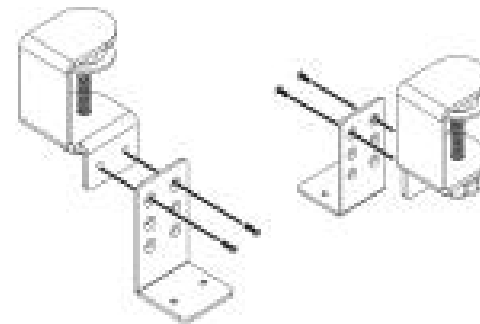


Figure 1

3. Repeat steps 2 and 3 to install the second **Desk Clamp Assembly**

### Attach the Desk Clamp Assemblies to the Keyboard Tray

1. Flip the **Keyboard Tray** upside down and align the mounting holes located on

either side of the **Keyboard Tray** with the bottom of the **Desk Clamp Assembly**.  
(Figure 2).

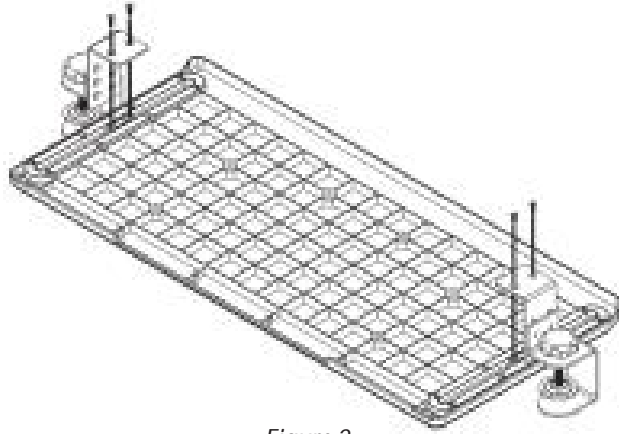


Figure 2

2. Secure the **Desk Clamp Assembly** to the **Keyboard Tray** using the **Tray Mounting Screws** (x2) and tighten using a **Phillips Head Screwdriver**.
3. Repeat steps 2 and 3 to attach the second **Desk Clamp Assembly**. This completes the **Keyboard Tray Assembly**.

## Attach the Keyboard Tray Assembly to the Desk

1. Open the **Desk Clamps** rotating the **Clamp Knobs** counterclockwise. The **Desk Clamps** can accommodate **Desks** measuring up to 59 mm (2.3 in) thick.
2. Slide the **Desk Clamps** over the edge of the **Desk**.
3. Tighten the **Desk Clamps** by rotating the **Clamp Knobs** clockwise.

### Use of Trademarks, Registered Trademarks, and other Protected Names and Symbols

This manual may make reference to trademarks, registered trademarks, and other protected names and/or symbols of third-party companies not related in any way to StarTech.com. Where they occur these references are for illustrative purposes only and do not represent an endorsement of a product or service by StarTech.com, or an endorsement of the product(s) to which this manual applies by the third-party company in question. StarTech.com hereby acknowledges that all trademarks, registered trademarks, service marks, and other protected names and/or symbols contained in this manual and related documents are the property of their respective holders.

PHILLIPS® is a registered trademark of Phillips Screw Company in the United States or other countries.

### Warranty Information

This product is backed by a 2-year warranty.

For further information on product warranty terms and conditions, please refer to [www.startech.com/warranty](http://www.startech.com/warranty).

### Limitation of Liability

In no event shall the liability of StarTech.com Ltd. and StarTech.com USA LLP (or their officers, directors, employees or agents) for any damages (whether direct or indirect, special, punitive, incidental, consequential, or otherwise), loss of profits, loss of business, or any pecuniary loss, arising out of or related to the use of the product exceed the actual price paid for the product. Some states do not allow the exclusion or limitation of incidental or consequential damages. If such laws apply, the limitations or exclusions contained in this statement may not apply to you.

**StarTech.com Ltd.**  
45 Artisans Crescent  
London, Ontario  
N5V 5E9  
Canada

**StarTech.com LLP**  
4490 South Hamilton  
Road  
Groveport, Ohio  
43125  
U.S.A.

**StarTech.com Ltd.**  
Unit B, Pinnacle 15  
Gowerton Road  
Brackmills,  
Northampton  
NN4 7BW  
United Kingdom

**StarTech.com Ltd.**  
Siriusdreef 17-27  
2132 WT Hoofddorp  
The Netherlands

FR: [startech.com/fr](http://startech.com/fr)  
DE: [startech.com/de](http://startech.com/de)  
ES: [startech.com/es](http://startech.com/es)  
NL: [startech.com/nl](http://startech.com/nl)  
IT: [startech.com/it](http://startech.com/it)  
JP: [startech.com/jp](http://startech.com/jp)