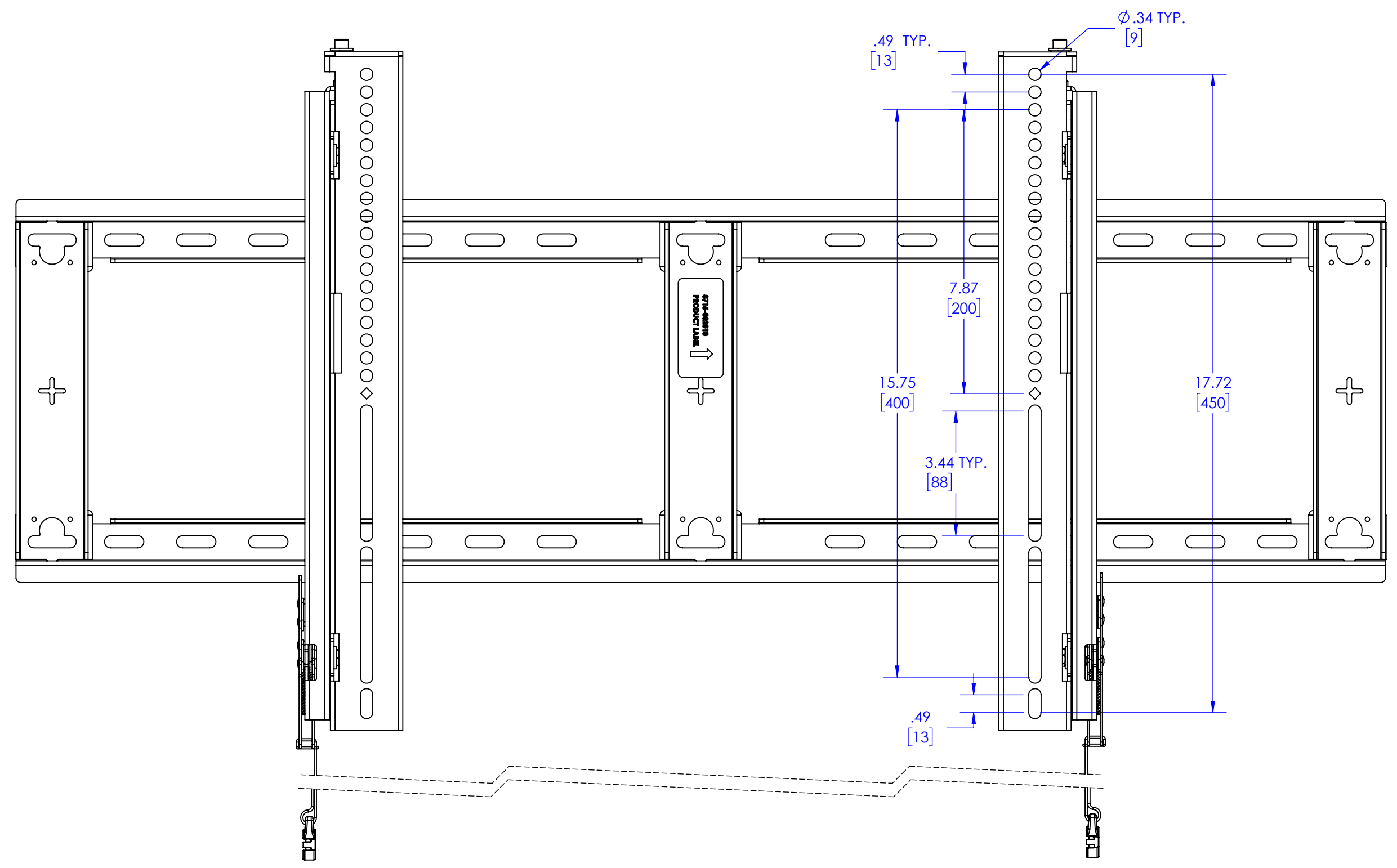


1. MAXIMUM HORIZONTAL MOUNTING PATTERN IS 32.3" (820 mm) WITHOUT REVERSING UPRIGHTS
2. MAXIMUM HORIZONTAL MOUNTING PATTERN IS 37.8" (960 mm) WITH REVERSING UPRIGHTS
3. FOR RECESSED APPLICATIONS, MINIMUM VERTICAL LIFT FOR HOOK ENGAGEMENT IS .75" (19 mm)

THE INFORMATION AND DESIGNS CONTAINED IN THIS DRAWING ARE CONFIDENTIAL AND THE PROPRIETARY PROPERTY OF LEGRAND | AV. NEITHER THIS DESIGN NOR ANY INFORMATION CONTAINED IN THIS DRAWING MAY BE REPRODUCED OR DISCLOSED TO OTHERS WITHOUT THE EXPRESS WRITTEN CONSENT OF LEGRAND | AV.

CAD GENERATED DRAWING, DO NOT MANUALLY UPDATE.				6436 CITY WEST PKWY EDEN PRAIRIE, MN, 55344 PHONE: 866-977-3901 FAX: 877-894-6918	
DRAWN BY	JF	6/30/2021	DESCRIPTION LARGE UNIVERSAL FIXED MOUNT		
ENG APPROVAL			MODEL NO. RLF3		
MFG APPROVAL			SCALE	SIZE	DWG. NO.
QA APPROVAL			1:5	B	TECH-001146
SHEET 1 OF 2					REV. 00



THE INFORMATION AND DESIGNS CONTAINED IN THIS DRAWING ARE CONFIDENTIAL AND THE PROPRIETARY PROPERTY OF LEGRAND | AV. NEITHER THIS DESIGN NOR ANY INFORMATION CONTAINED IN THIS DRAWING MAY BE REPRODUCED OR DISCLOSED TO OTHERS WITHOUT THE EXPRESS WRITTEN CONSENT OF LEGRAND | AV.

CAD GENERATED DRAWING, DO NOT MANUALLY UPDATE.				6436 CITY WEST PKWY EDEN PRAIRIE, MN, 55344 PHONE: 866-977-3901 FAX: 877-894-6918	
DRAWN BY	JF	6/30/2021	DESCRIPTION		
ENG APPROVAL			LARGE UNIVERSAL FIXED MOUNT		
MFG APPROVAL			MODEL NO.		
QA APPROVAL			RLF3		
SHEET 2 OF 2		SCALE	SIZE	DWG. NO.	REV.
		1:3	B	TECH-001146	00