

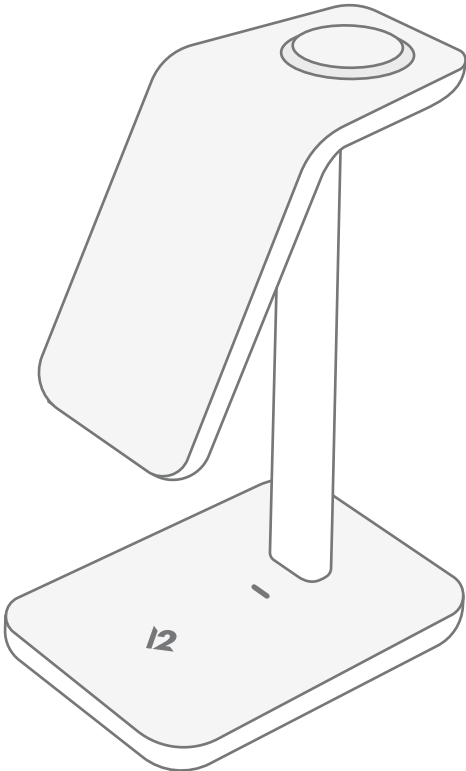
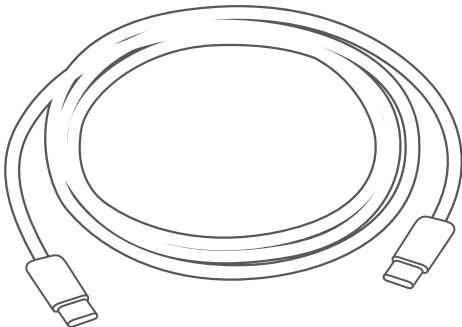
HiRise 3

owner's guide

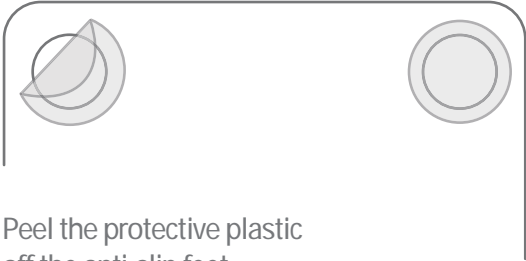


What's in the box:

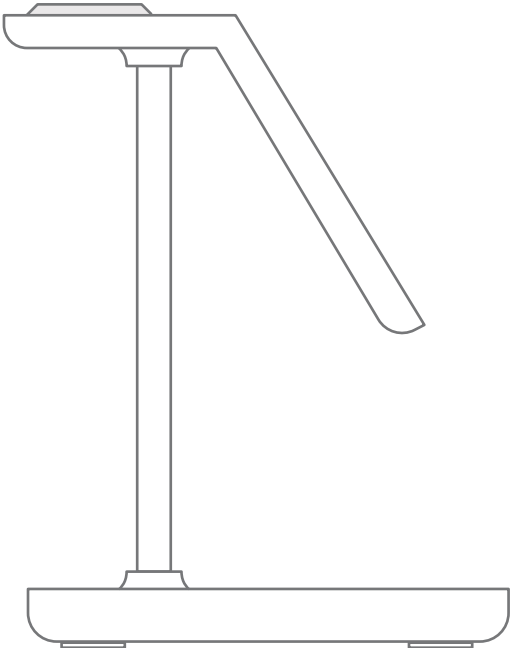
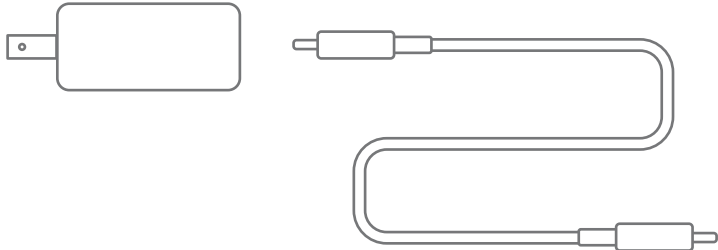
- A HiRise 3, 3-in-1 desktop charging stand
- B 5ft USB-C Power Cable



Getting started with HiRise 3

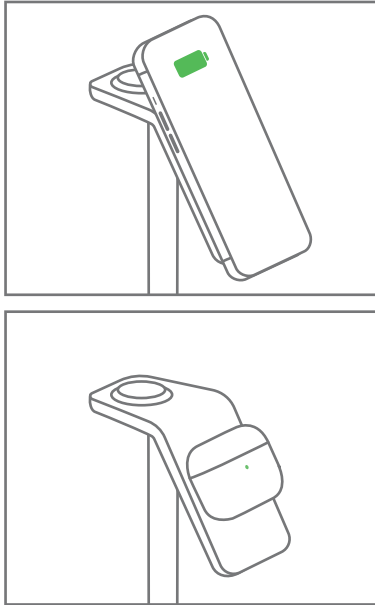


- 1 Peel the protective plastic off the anti-slip feet.
- 2 Plug the 5ft USB-C Power Cable into HiRise 3 and then into any 20W USB-C or higher power adapter (USB-C power adapter not included).



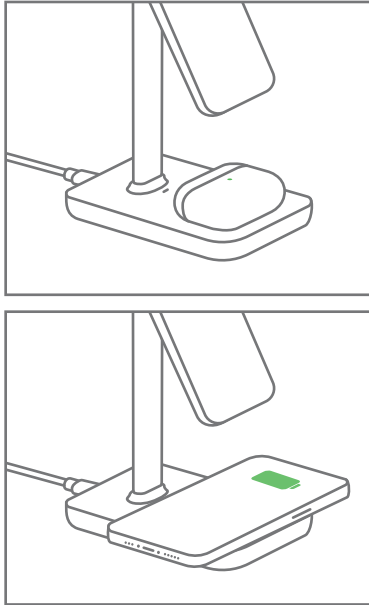
Charging three devices at once

1. Front MagSafe-compatible charger



Place MagSafe-compatible iPhone or AirPods on front charger until secured in place by the magnets.

2. Base Wireless charger



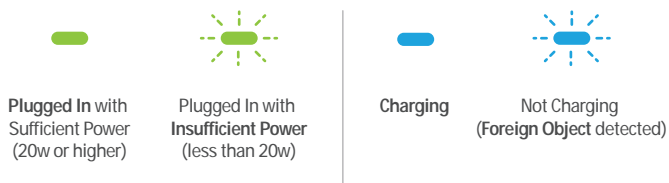
Place any wireless charging device on base charger. Position directly on top of logo and confirm on the device that it is charging.

3. Top Apple Watch Charger



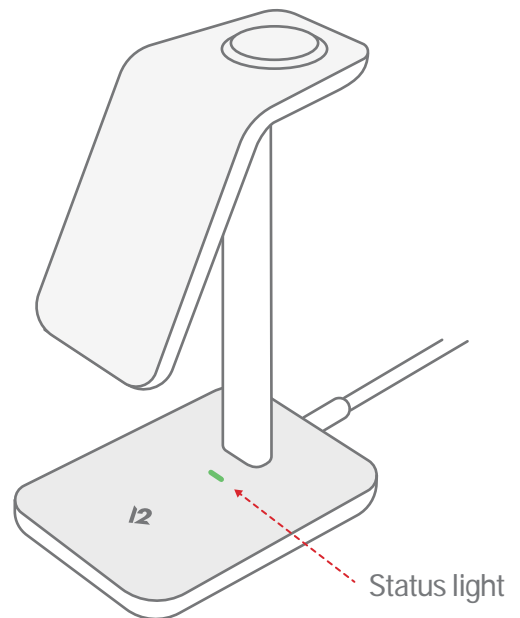
Place Apple Watch on top charger. Look for the charging icon on Apple Watch to confirm charging has begun.

HiRise 3 status light



Notes:

Status light not available for Apple Watch. Please check the individual devices for detailed charging status.



Additional notes & specs

The foreign object detection light alerts you to objects between your devices and HiRise 3 that could affect charging. This helps to prevent the charger from emitting unnecessary power and heat that could damage your smartphone and other heat-sensitive items.

To prevent overheating and damage to your HiRise 3 or devices:

- Do not place any foreign objects, such as metal or magnets, between the phone and HiRise 3. This may interfere with charging, causing overheating or damage to the device.
- Do not place any magnetic stripes or IC chip cards on the HiRise 3. This may cause damage.
- Do not cover the charging base with any material or cloth. This may interfere with charging performance.
- Do not let dust accumulate on the charging stand and keep the surface clean
- Do not disassemble HiRise 3 or throw it into fire or water, to avoid short circuit leakage. Also avoid using HiRise 3 in hot, humid or corrosive environments.
- Please keep a distance of at least 20cm between implantable medical devices (pacemakers, cochlear implants, etc.) and HiRise 3 to avoid potential interference with the medical device.

FCC ID Statement

This equipment complies with Part 15 of the FCC Rules.
Operation is subject to the following two conditions:
This device may not cause harmful interference, and
This device must accept any interference received, including interference that may cause undesired operation.

Any changes or modifications not expressly approved by the party responsible for compliance could void the user's authority to operate this equipment.

IC Statement

Disclaimer:
Operation is subject to the following two conditions:
This device may not cause interference, and
This device must accept any interference, including interference that may cause undesired operation of the device.

HiRise 3 Charging Plate Tech Specs

Input connector: USB Type C
Note: Included cable is 1.5m USB Type C to USB Type C

Input: DC 9.0V/2.0A
Output: 5W/7.5W/10W
Front Output: 10W Max
Base Output: 5W Max
Top Output: 3W Max
Charging efficiency: 75%

FCC ID: 2AREB-12-2145
IC: 24385-122145



thank you

Have questions? Visit twelvesouth.com or contact support@twelvesouth.com ©2022
Twelve South, LLC. All rights reserved.