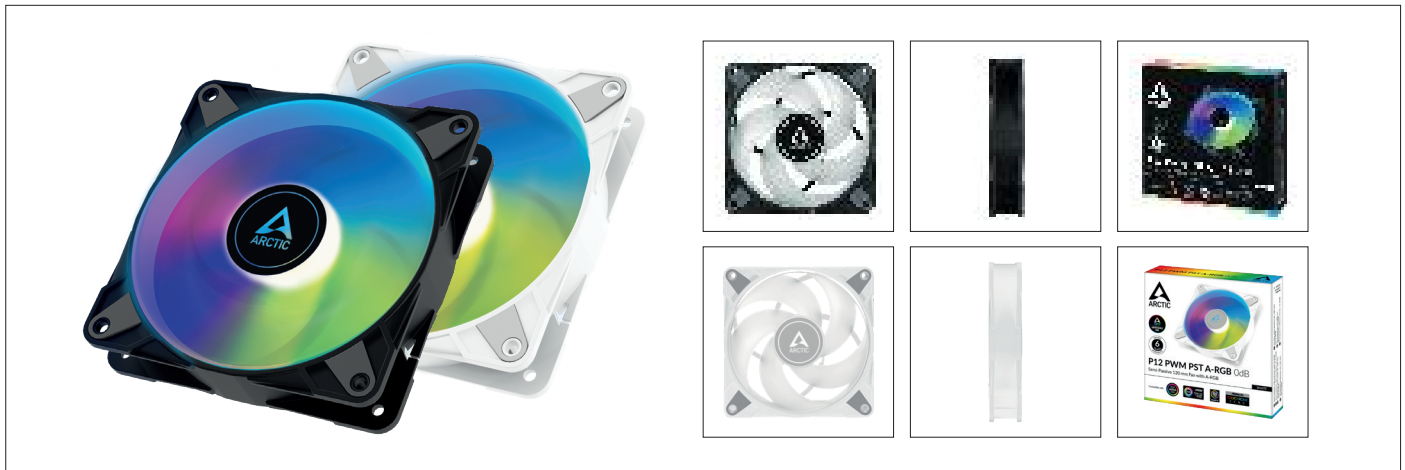


P12 PWM PST A-RGB 0dB



Semi-Passive 120 mm Case Fan with A-RGB

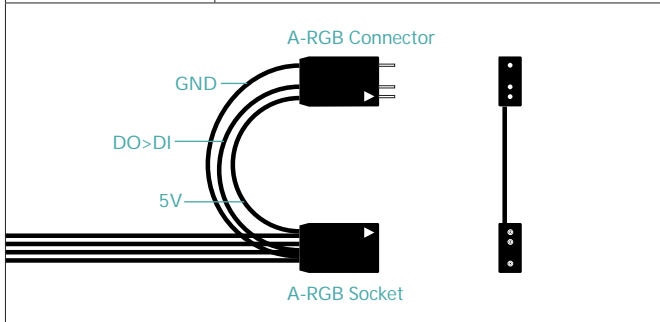


General Specifications

Dimensions	120 (L) x 120 (W) x 25 (H) mm
Weight	131 g
Package Content	P12 PWM PST A-RGB 0dB x1 Mounting Screws x4

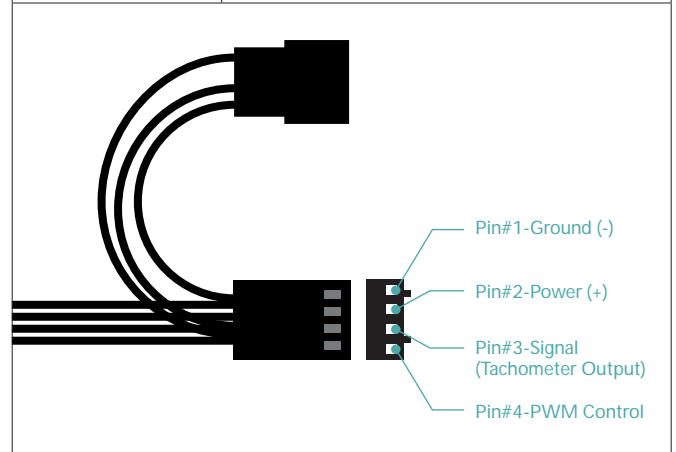
RGB Specifications

Number of LEDs	12
Cable Length	40 + 8 cm
Connector	3-Pin 5V-DI-GND Connector + 3-Pin Socket
Current/Voltage	5.0 V/ 0.4 A



Fan Specifications

Speed	0–2000 rpm
rpm Control	Pulse Width Modulation
Static Pressure	1.85 mm H ₂ O
Airflow	48.8 cfm
Bearing	Fluid Dynamic Bearing
Cable Length	40 + 8 cm
Connector	4-Pin Connector + 4-Pin Socket
Current/Voltage	0.11 A/12 V



Shipping Information Single Fan – Black

Box Dimensions	124 (L) x 127 (W) x 30 (H) mm
Gross Weight	159 g
SKU	ACFAN00231A
EAN	4895213703154
UPC	840033400954

Shipping Information Single Fan – White

Box Dimensions	124 (L) x 127 (W) x 30 (H) mm
Gross Weight	159 g
SKU	ACFAN00254A
EAN	4895213703529
UPC	840033401333

Shipping Information 3 pc Value Pack – Black

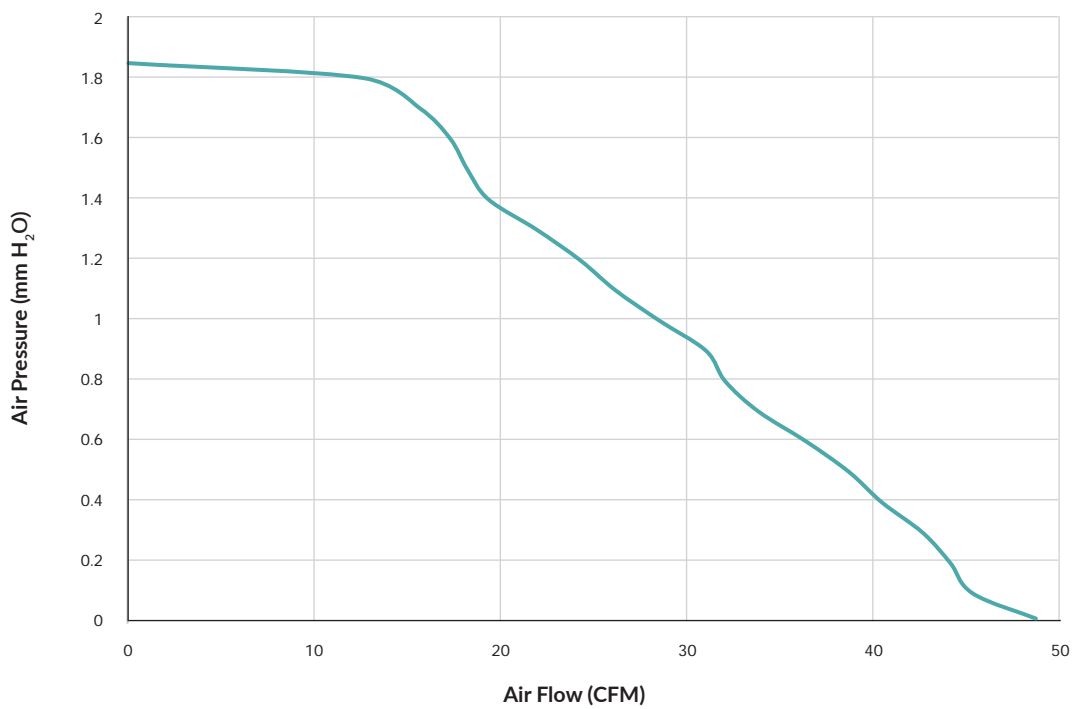
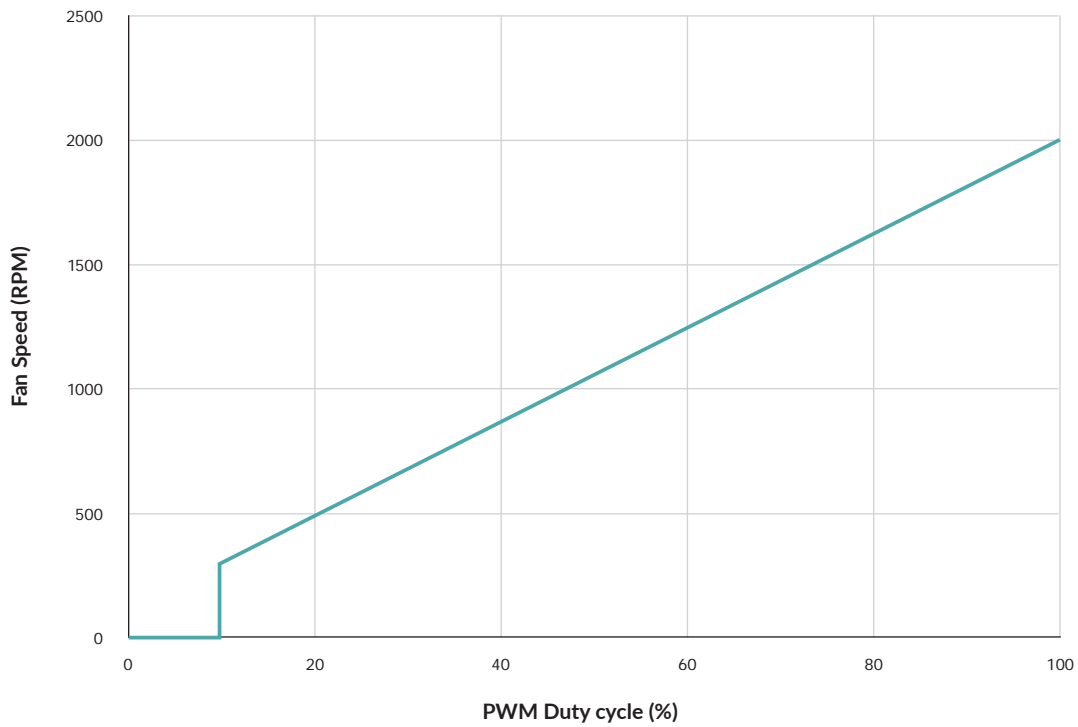
Box Dimensions	124 (L) x 127 (W) x 30 (H) mm
Gross Weight	560 g
SKU	ACFAN00232A
EAN	4895213703246
UPC	840033401050

Shipping Information 3 pc Value Pack – White

Box Dimensions	124 (L) x 127 (W) x 30 (H) mm
Gross Weight	560 g
SKU	ACFAN00258A
EAN	4895213703536
UPC	840033401340

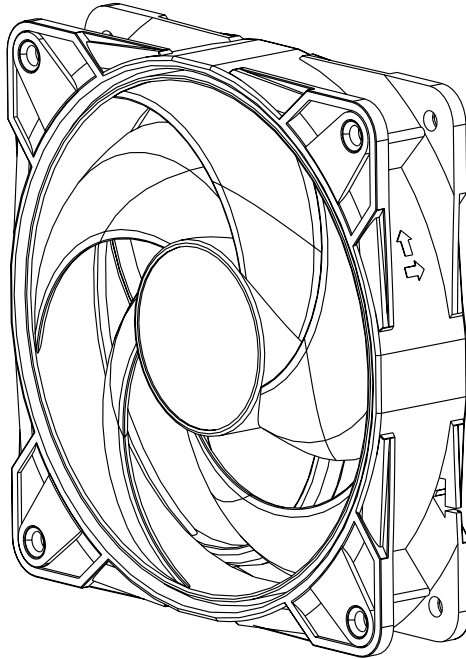
P12 PWM PST A-RGB 0dB

Semi-Passive 120 mm Case Fan with A-RGB

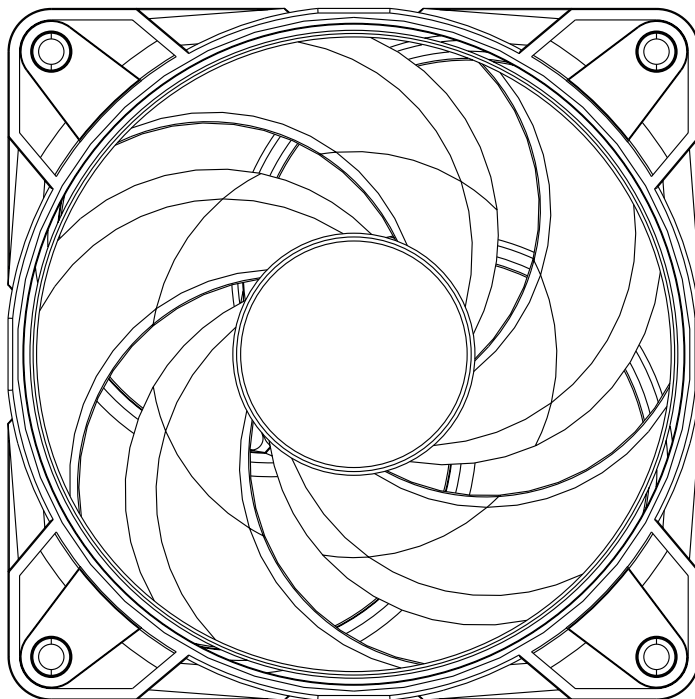


P12 PWM PST A-RGB 0dB

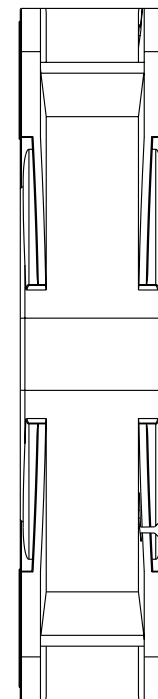
Semi-Passive 120 mm Case Fan with A-RGB



← 120 mm →



← 25 mm →



120 mm

All materials are compatible with RoHS requirements



Product Information



Manual