

P14 PWM PST A-RGB 0dB

BLACK



Semi-Passive 140 mm Case Fan with A-RGB



Also available:



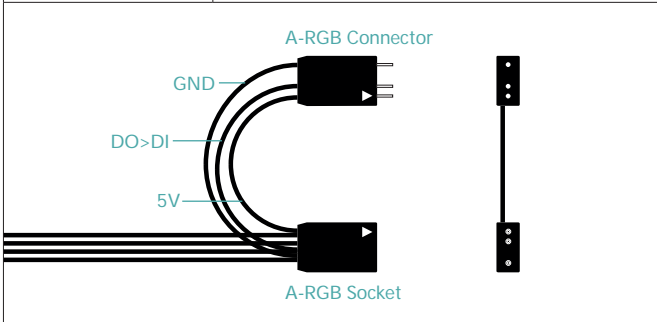
P14 PWM PST A-RGB 0dB Value Pack

General Specifications

Dimensions	140 (L) x 140 (W) x 27 (H) mm
Weight	210 g
Package Content	P14 PWM PST A-RGB 0dB x1 Mounting Screws x4

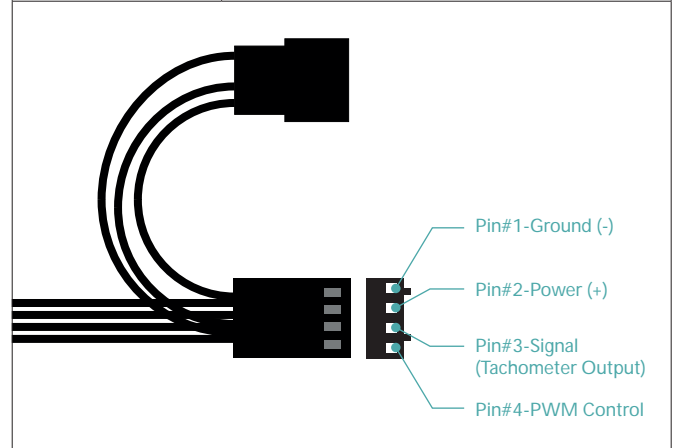
RGB Specifications

Number of LEDs	12
Cable Length	40 + 8 cm
Connector	3-Pin 5V-DI-GND Connector + 3-Pin Socket
Current/Voltage	5.0 V/0.4 A



Fan Specifications

Speed	0–1900 rpm
rpm Control	Pulse Width Modulation
Static Pressure	2 mm H ₂ O
Airflow	68.9 cfm
Bearing	Fluid Dynamic Bearing
Cable Length	40 + 8 cm
Connector	4-Pin Connector + 4-Pin Socket
Current/Voltage	0.17 A/12 V



Shipping Information Single Fan

Box Dimensions	167 (L) x 167 (W) x 34 (H) mm
Gross Weight	297 g
SKU	ACFAN00239A
EAN	4895213703505
UPC	840033401319

Shipping Information 3 pc Value Pack

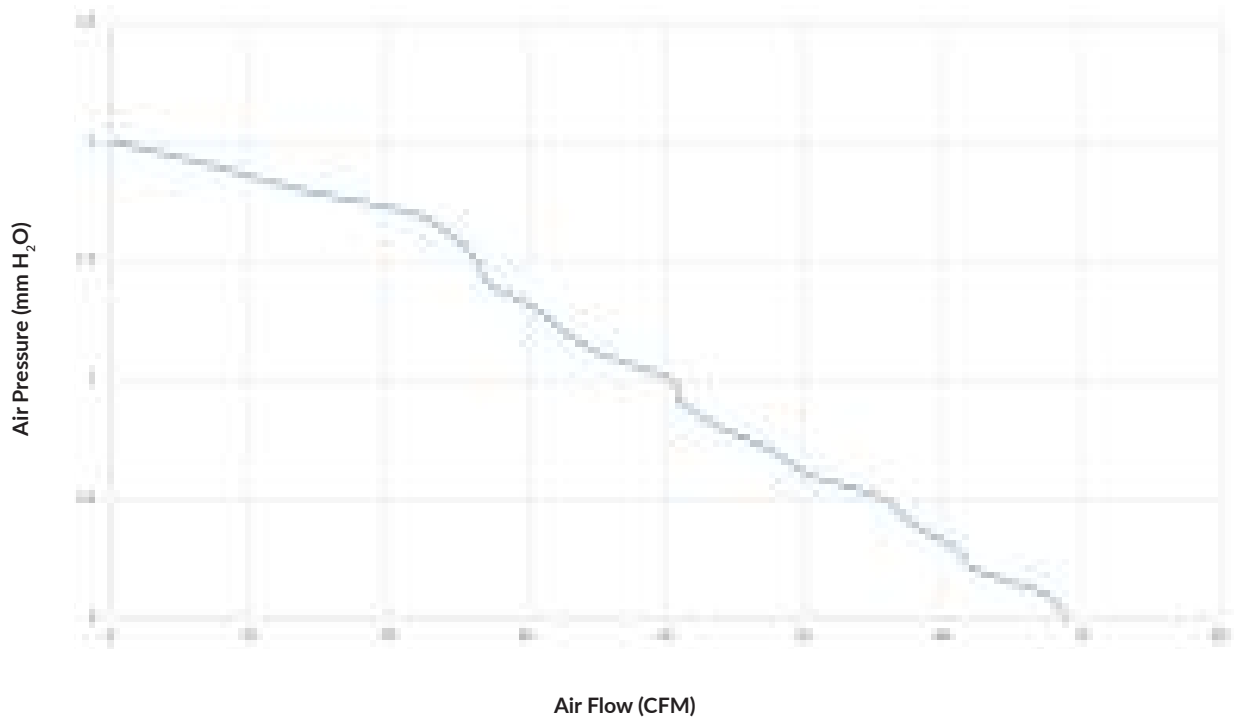
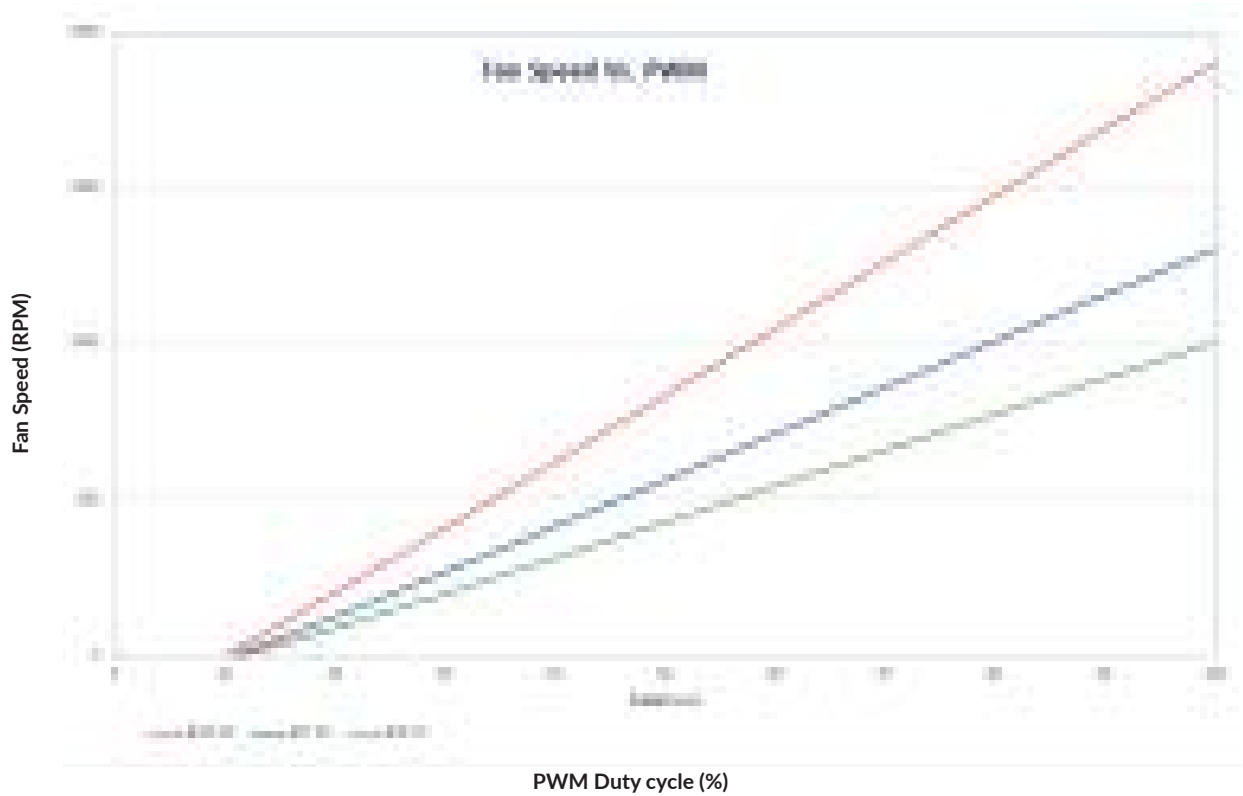
Box Dimensions	144 (L) x 91 (W) x 147 (H) mm
Gross Weight	758 g
SKU	ACFAN00257A
EAN	4895213703512
UPC	840033401326

P14 PWM PST A-RGB 0dB

BLACK



Semi-Passive 140 mm Case Fan with A-RGB

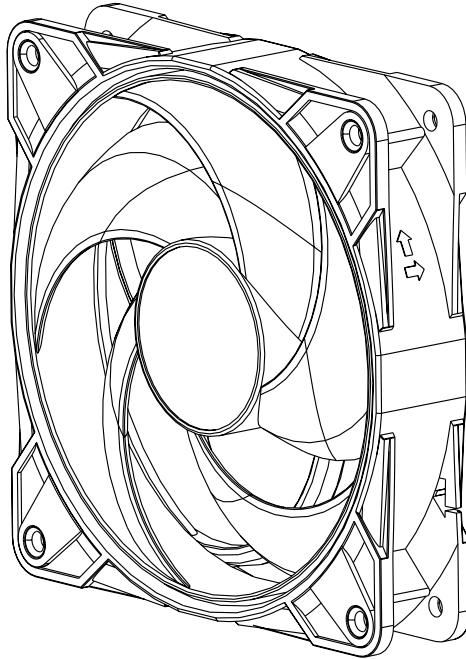


P14 PWM PST A-RGB 0dB

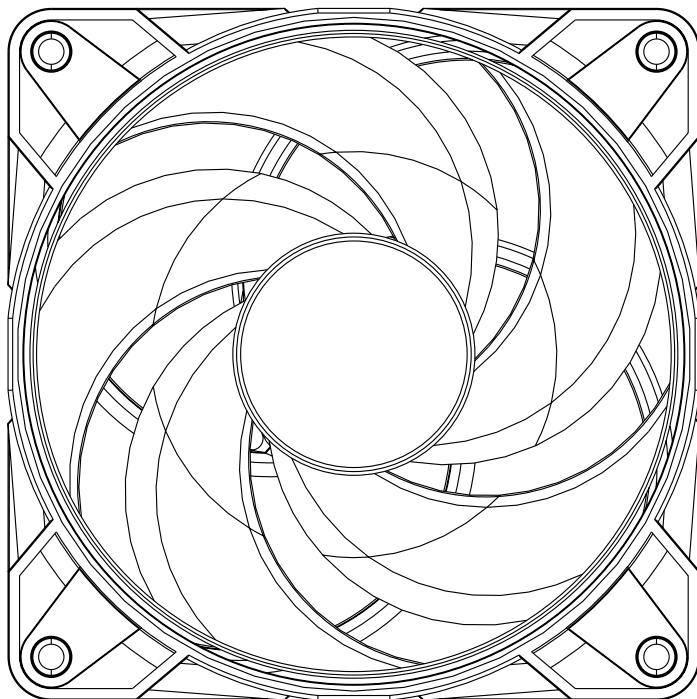
BLACK



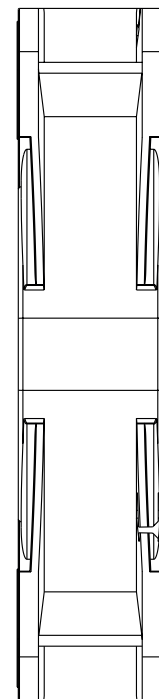
Semi-Passive 140 mm Case Fan with A-RGB



← 140 mm →



← 27 mm →



140 mm

All materials are compatible with RoHS requirements



Product Information



Manual