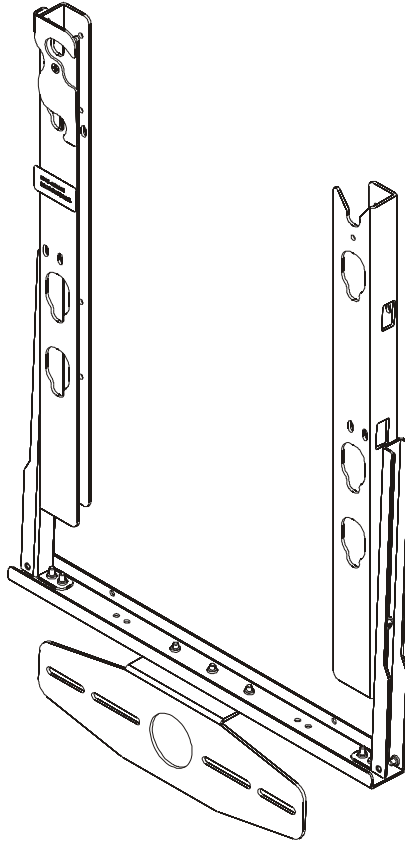


---

# INSTALLATION INSTRUCTIONS

---



---

## Center Channel Speaker Mounting Accessory

---

**DISCLAIMER**

Milestone AV Technologies and its affiliated corporations and subsidiaries (collectively "Milestone"), intend to make this manual accurate and complete. However, Milestone makes no claim that the information contained herein covers all details, conditions or variations, nor does it provide for every possible contingency in connection with the installation or use of this product. The information contained in this document is subject to change without notice or obligation of any kind. Milestone makes no representation of warranty, expressed or implied, regarding the information contained herein. Milestone assumes no responsibility for accuracy, completeness or sufficiency of the information contained in this document.

Chief® is a registered trademark of Milestone AV Technologies. All rights reserved.

**! IMPORTANT SAFETY INSTRUCTIONS**

**! WARNING:** A WARNING alerts you to the possibility of serious injury or death if you do not follow the instructions.

**! CAUTION:** A CAUTION alerts you to the possibility of damage or destruction of equipment if you do not follow the corresponding instructions.

**! WARNING:** Failure to read, thoroughly understand, and follow all instructions can result in serious personal injury, damage to equipment, or voiding of factory warranty! It is the installer's responsibility to make sure all components are

properly assembled and installed using the instructions provided.

**! WARNING:** Failure to provide adequate structural strength for this component can result in serious personal injury or damage to equipment! It is the installer's responsibility to make sure the structure to which this component is attached can support five times the combined weight of all equipment. Reinforce the structure as required before installing the component.

**! WARNING:** Exceeding the weight capacity can result in serious personal injury or damage to equipment! It is the installer's responsibility to make sure the combined weight of all components attached to the PACCC2 does not exceed 35 lbs (16 kg).

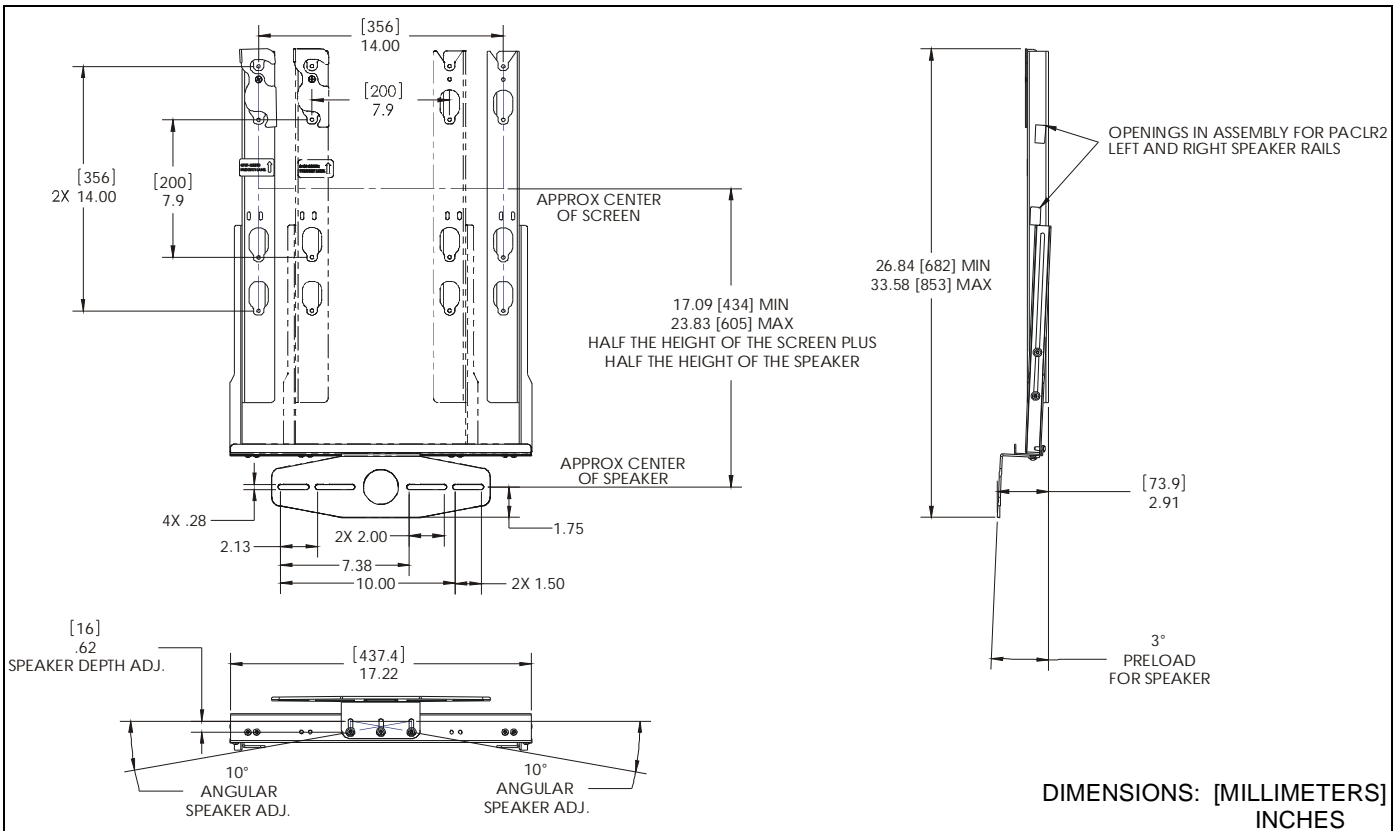
**! WARNING:** Use this mounting system only for its intended use as described in these instructions. Do not use attachments not recommended by the manufacturer.

**! WARNING:** Never operate this mounting system if it is damaged. Return the mounting system to a service center for examination and repair.


**! WARNING:** Do not use this product outdoors.


**--SAVE THESE INSTRUCTIONS--**

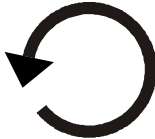
**DIMENSIONS**





**LEGEND**

	<b>Tighten Fastener</b>
	Apretar elemento de fijación
	Befestigungsteil festziehen
	Apertar fixador
	Serrare il fissaggio
	Bevestiging vastdraaien
Serrez les fixations	

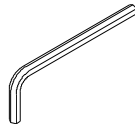
	<b>Adjust</b>
	Ajustar
	Einstellen
	Ajustar
	Regolare
	Afstellen
Ajuster	

	<b>Loosen Fastener</b>
	Aflojar elemento de fijación
	Befestigungsteil lösen
	Desapertar fixador
	Allentare il fissaggio
	Bevestiging losdraaien
Desserrez les fixations	

	<b>Security Wrench</b>
	Llave de seguridad
	Sicherheitsschlüssel
	Chave de segurança
	Chiave di sicurezza
	Veiligheidsleutel
Clé de sécurité	

	<b>Hex-Head Wrench</b>
	Llave de cabeza hexagonal
	Sechskantschlüssel
	Chave de cabeça sextavada
	Chiave esagonale
	Zeskantsleutel
Clé à tête hexagonale	

### TOOLS REQUIRED FOR INSTALLATION



1/8"  
(Provided)

### PARTS



A (1)  
[left upright]



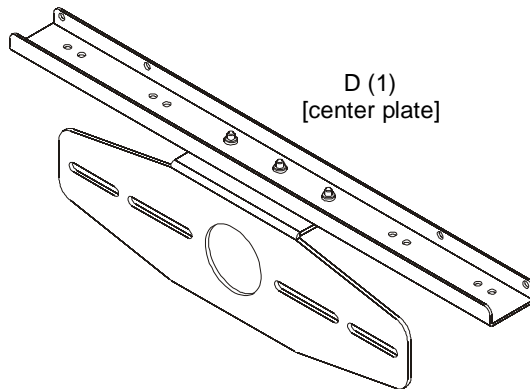
C (1)  
[right upright]



B (2)  
[height-adjust bracket]



D (1)  
[center plate]



E (4)  
[mounting button]



F (1)  
1/8"



G (10)  
#10-24 x 1/2"



H (4)  
#10-24 x 7/8"



J (4)  
#10



K (4)  
#10-24



## Assembly and Installation

### Accessory Assembly - PACCC2 Alone

The PACCC2 is designed to accommodate both 200 x 200 VESA and 14" x 14" display mounting patterns. If 200 x 200 pattern is required use the inner mounting holes when connecting height-adjust brackets (B) to center plate (D). (See Figure 1)

**NOTE:** The 14" x 14" display mounting pattern is NOT identical to a 400 x 400 VESA display mounting pattern.

**IMPORTANT ! :** If installing the PACCC2 with the PACLR2, proceed to the **Assembly using PACLR2** section.

1. Connect center plate (D) to height-adjust brackets (B) by installing four #10-24 x 1/2" button head cap screws (G) through holes on center plate (D) and height-adjust brackets (B). (See Figure 1)
2. Secure center plate (D) to height-adjust uprights (B) by installing two #10-24 x 1/2" button head cap screws (G) through back holes on center plate (D) and height-adjust brackets (B). (See Figure 1)

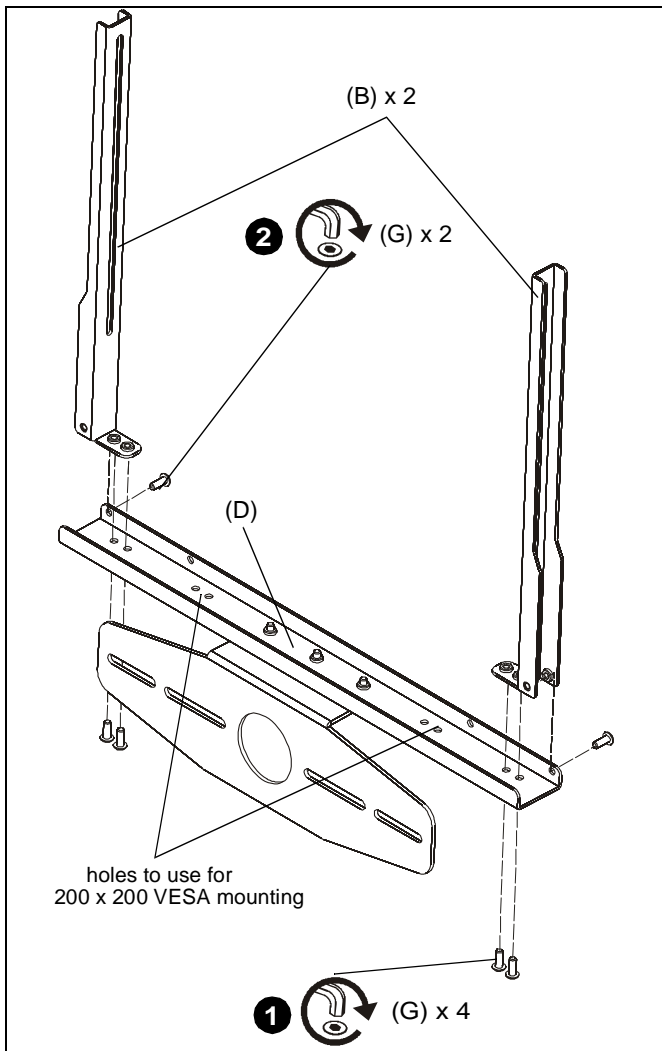


Figure 1

3. Install two mounting buttons (E) to uprights (A and C) using four #10-24 x 7/8" button head cap screws (H). (See Figure 2)
4. Connect left and right uprights (A and C) to height adjust brackets (B) using four #10-24 x 1/2" button head cap screws (G) and four #10 washers (J). (See Figure 2)

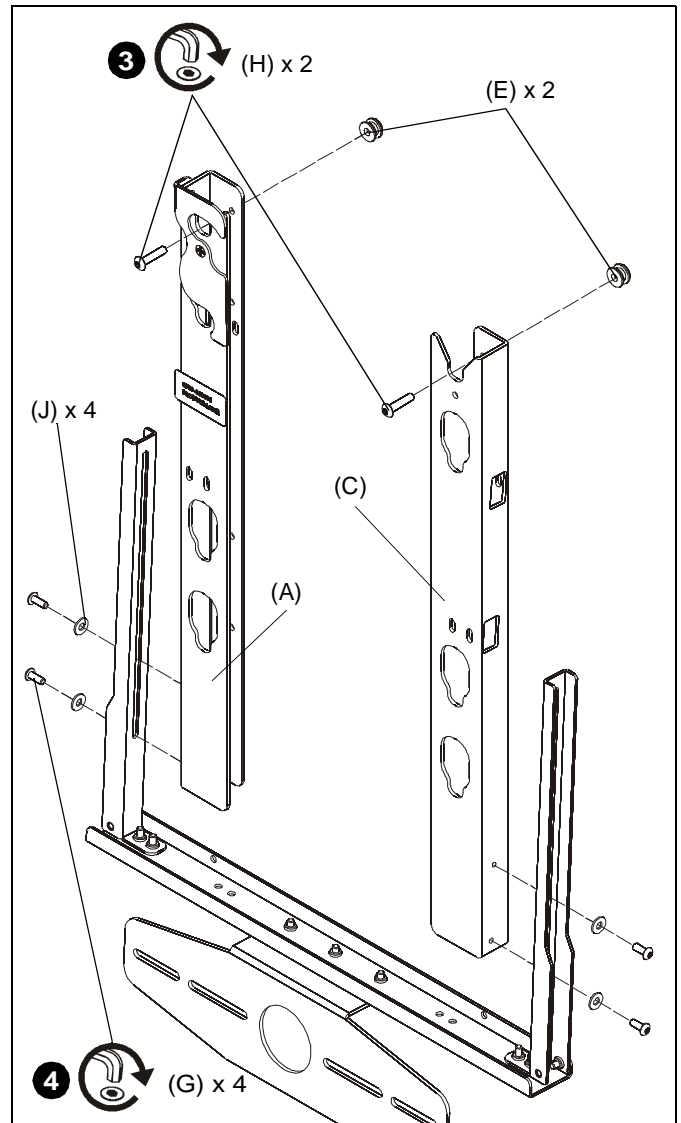


Figure 2

### Assembly Using PACLR2

**IMPORTANT ! :** When installing the PACCC2 to the PACLR2, the uprights shipped with the PACCC2 will NOT be used as the uprights already installed on the PACLR2 are identical.

1. Connect center plate (D) to height-adjust brackets (B) by installing four #10-24 x 1/2" button head cap screws (G) through outer holes on center plate (D) and height-adjust brackets (B). (See Figure 1)

2. Connect height-adjust uprights (B) to uprights on PACLR2 using four #10-24 x 1/2" button head cap screws (G) and four #10 washers (J). (See Figure 3)

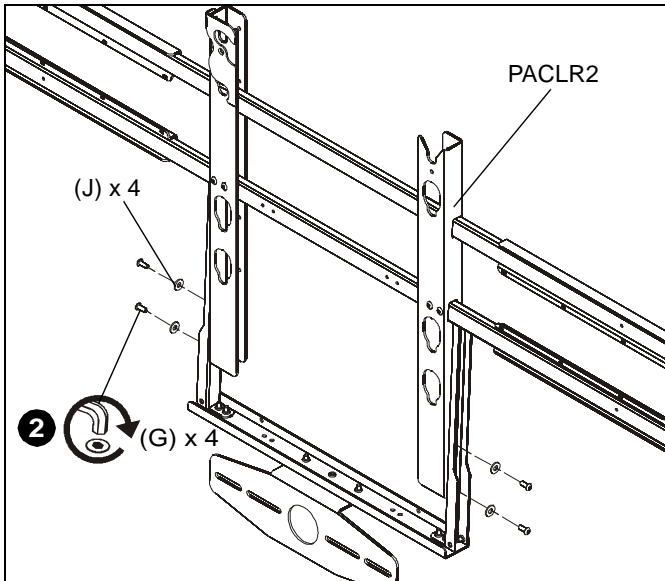


Figure 3

**Install Speaker**

1. Loosen four #10-24 x 1/2" button head cap screws (G) securing height-adjust uprights (B) to left and right uprights. (See Figure 4)
2. Reposition speaker mounting bracket to lowest position. (See Figure 4)
3. Tighten four #10-24 x 1/2" button head cap screws (G) securing height-adjust uprights (B) to left and right uprights. (See Figure 4)

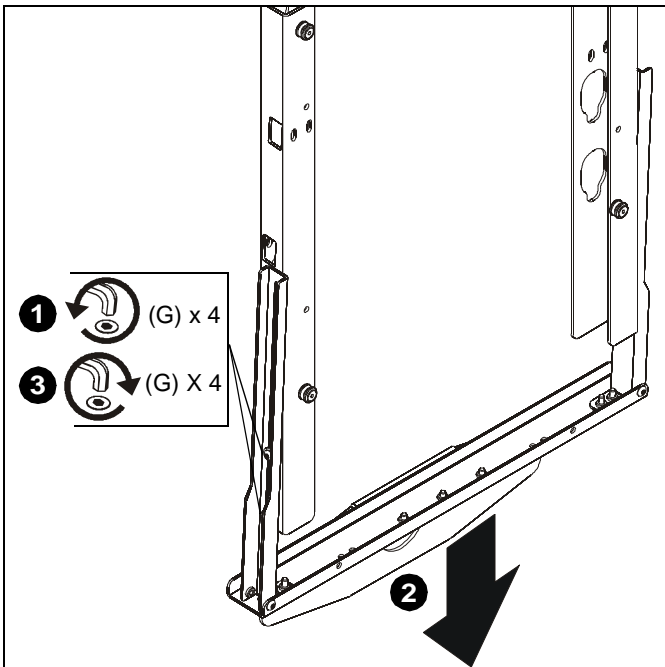


Figure 4

4. Mount speaker to speaker mounting bracket following the instructions provided with speaker. (See Figure 5)



**WARNING:** IMPROPER INSTALLATION CAN LEAD TO SEVERE PERSONAL INJURY OR DAMAGE TO EQUIPMENT! ALWAYS follow speaker manufacturers installation instructions when mounting speaker to avoid possible damage to speaker.

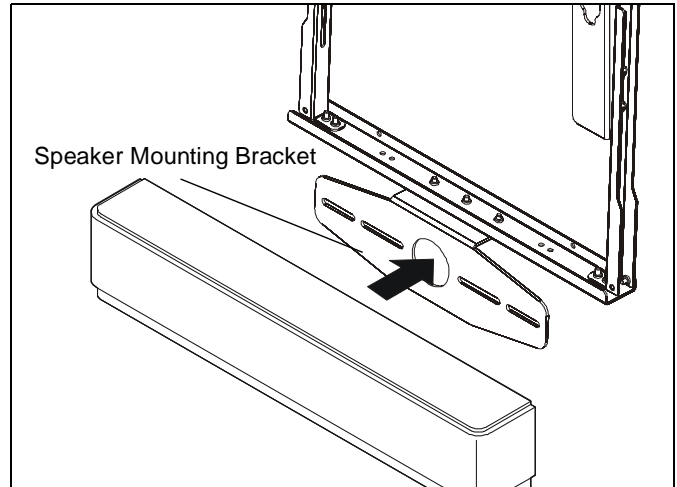


Figure 5

**Install Accessory to Mount and Display to Accessory**

1. Install accessory to mount following the installation instructions provided with the mount. (See Figure 6)

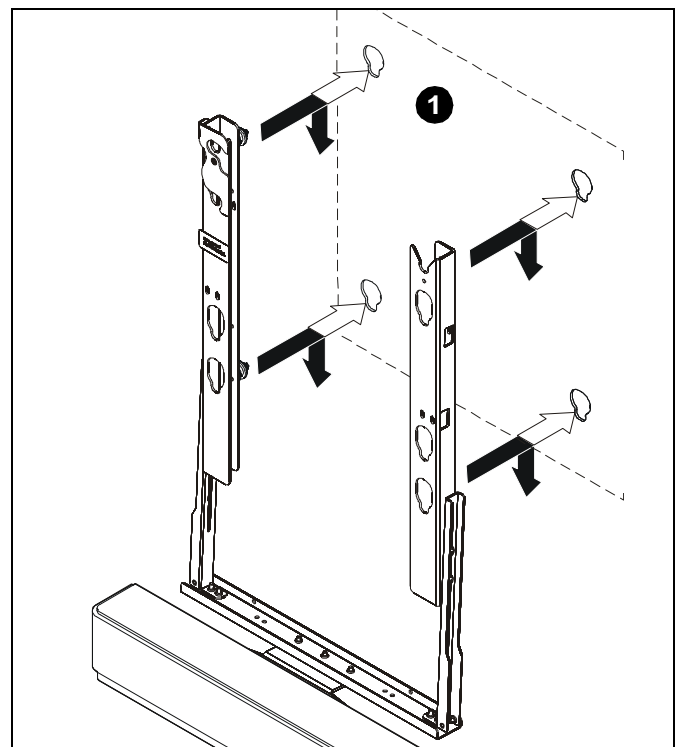


Figure 6

2. Verify latching flag is in the OPEN position. (See Figure 7)
3. Align four mounting buttons on display with four teardrop mounting holes in accessory.
4. Slide mounting buttons into teardrop mounting holes and lower display until recessed area of mounting buttons is seated in lower area of teardrop mounting holes.



**WARNING:** IMPROPER INSTALLATION CAN LEAD TO DISPLAY FALLING CAUSING SEVERE PERSONAL INJURY OR DAMAGE TO EQUIPMENT. Make sure ALL mounting buttons are properly seated in lower area of four teardrop mounting holes.

5. Move latching flag to CLOSED position to secure display on accessory. (See Figure 7)

**NOTE:** A padlock or similar device can be used to provide additional security.

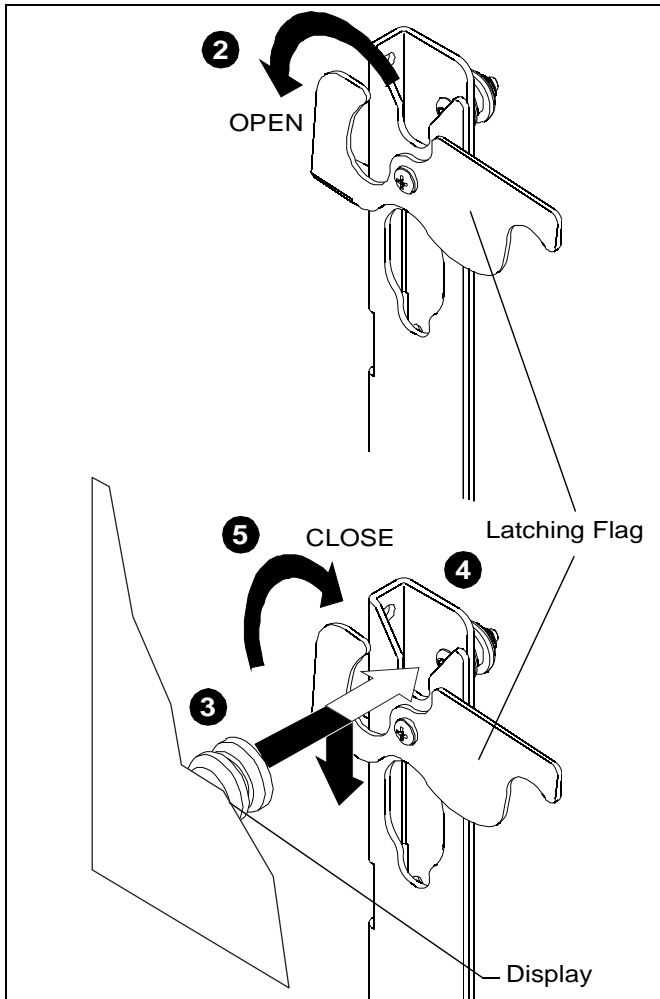


Figure 7

**Adjustments**

The PACCC2 allows for vertical adjustment of the speaker to provide a flush installation against the bottom of the display. The PACCC2 also provides up to 10° of YAW adjustment for proper speaker alignment with bottom of display.

**To adjust speaker vertical position:**

1. Loosen two button head cap screws securing speaker mounting bracket to support plate using 1/8" hex wrench (F). (See Figure 8)
2. Reposition speaker up or down to desired position.
3. Tighten two button head cap screws securing speaker mounting bracket to support plate using 1/8" hex wrench (F). (See Figure 8)

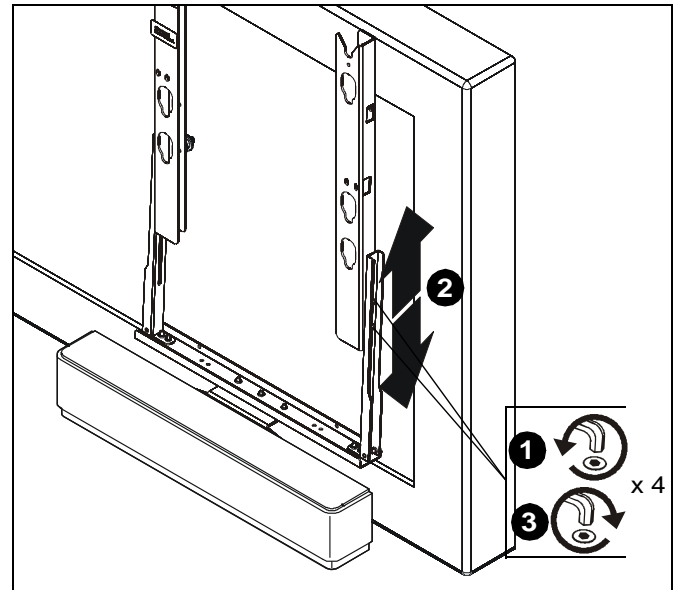


Figure 8

**To adjust speaker YAW position:**

1. Loosen three button head cap screws securing speaker mounting bracket to horizontal bracket using 1/8" hex wrench (F) provided. (See Figure 9)
2. Reposition speaker to desired position.
3. Tighten two button head cap screws securing speaker mounting bracket to horizontal bracket using 1/8" hex wrench (F) provided. (See Figure 9)

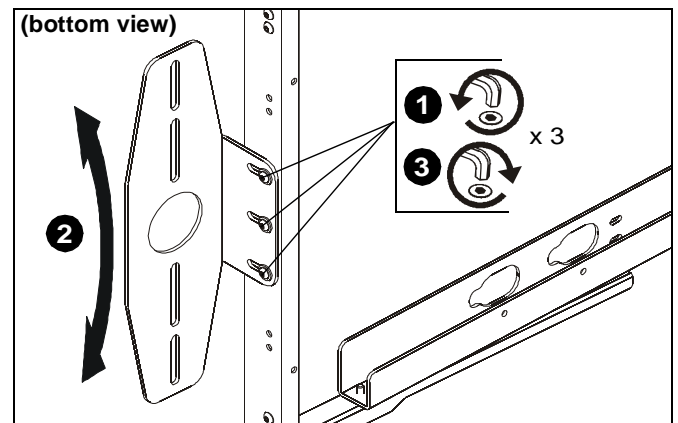


Figure 9

Route cables and wires to display and speakers following speakers manufacturer's installation instructions.



Chief Manufacturing, a products division  
of Milestone AV Technologies

8800-002057 Rev01  
©2013 Milestone AV Technologies, a  
Duchossois Group Company  
[www.chiefmfg.com](http://www.chiefmfg.com)  
01/13

<b>USA/International</b>	<b>A</b> 6436 City West Parkway, Eden Prairie, MN 55344 <b>P</b> 800.582.6480 / 952.225.6000 <b>F</b> 877.894.6918 / 952.894.6918
<b>Europe</b>	<b>A</b> Franklinstraat 14, 6003 DK Weert, Netherlands <b>P</b> +31 (0) 495 580 852 <b>F</b> +31 (0) 495 580 845
<b>Asia Pacific</b>	<b>A</b> Office No. 1 on 12/F, Shatin Galleria 18-24 Shan Mei Street Fotan, Shatin, Hong Kong <b>P</b> 852 2145 4099 <b>F</b> 852 2145 4477

