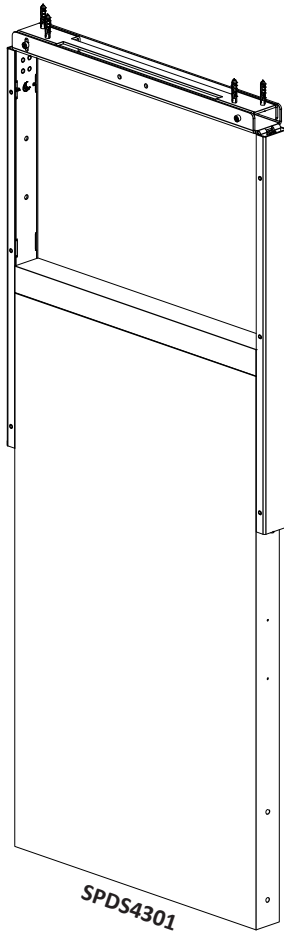
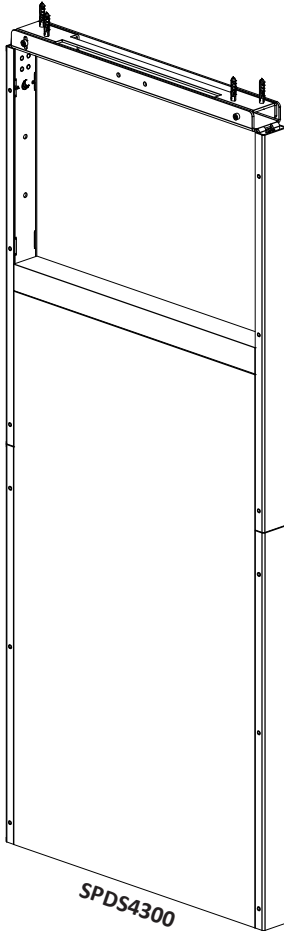


Installation Guide

SPDS4300 + SPDS4301

In-window ceiling mount for OM55N-DS / OM55N-D





CAUTION

Please ensure that you read and understand the content of the installation guide, before you begin the installation process.

Guide illustrations are for SPDS4300, but the same steps would apply for SPDS4301, unless specifically stated under the individual step.

This product must be installed by a professional installer. More than one person needs to be involved in the installation of this product.

Do not overtighten the fixings.

The maximum weight limit for the hardware (screen, accessories etc.) for this solution is 50 kg. Do not exceed the stated weight limit.

This product is intended for indoor use only.

This solution is designed for certified hardware and accessories. Always follow the installation guide from the hardware manufacturer for correct installation.

Please don't power the hardware, until the entire solution is fully assembled.

If these installation instructions are not followed precisely, it could lead to product failure and potential personal injury.

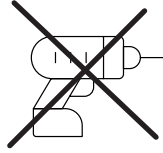
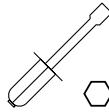
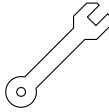
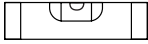
Ergonomic Solutions cannot be held responsible for any product failure or personal injury, if the installation instructions are not followed correctly.

Ergonomic Solutions cannot be held responsible for any product failure or personal injury, if any modifications have been made to the product by the customer.

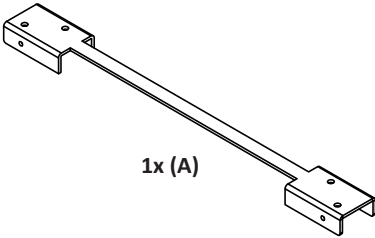
MAINTENANCE

It is the responsibility of the customer to periodically check the installation and ensure it is clean and all fixings are tightened correctly

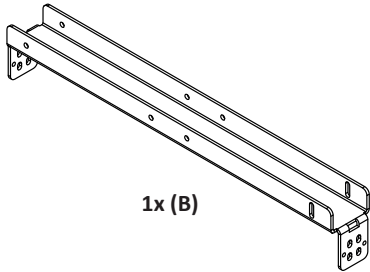
Tool list



Box content



1x (A)



1x (B)



SPDS4300: 4x (C)
SPDS4301: 2x (C)



SPDS4300: 4x (D)
SPDS4301: 2x (D)



4x (M8x60)



4x (M8 wallplug)



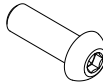
4x (M6x12)



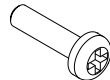
8x (M8 nut)



4x (M8x16)



4x (M4x16)

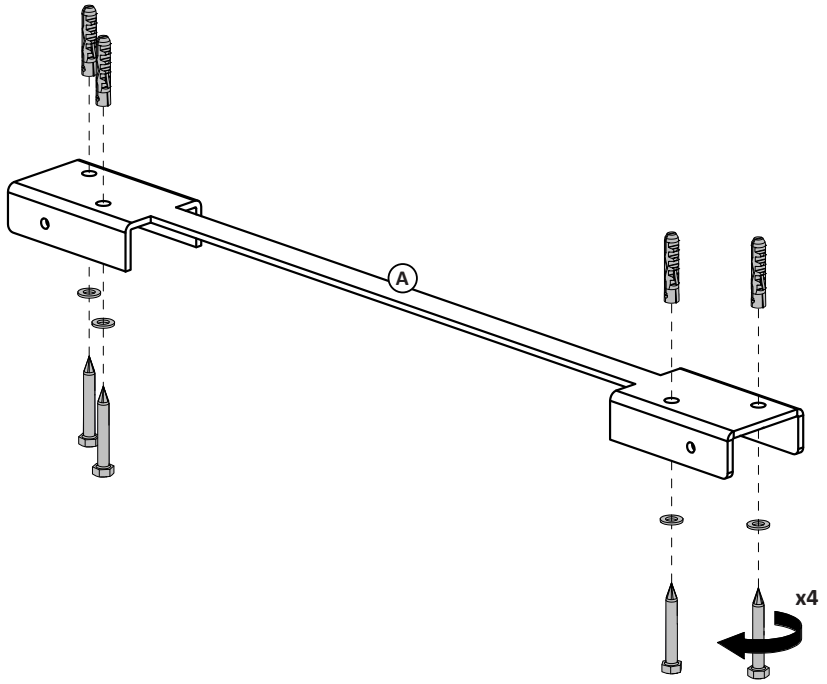


SPDS4300: 8x (M8x20)
SPDS4301: 4x (M8x20)



SPDS4300: 2x (M6x8)

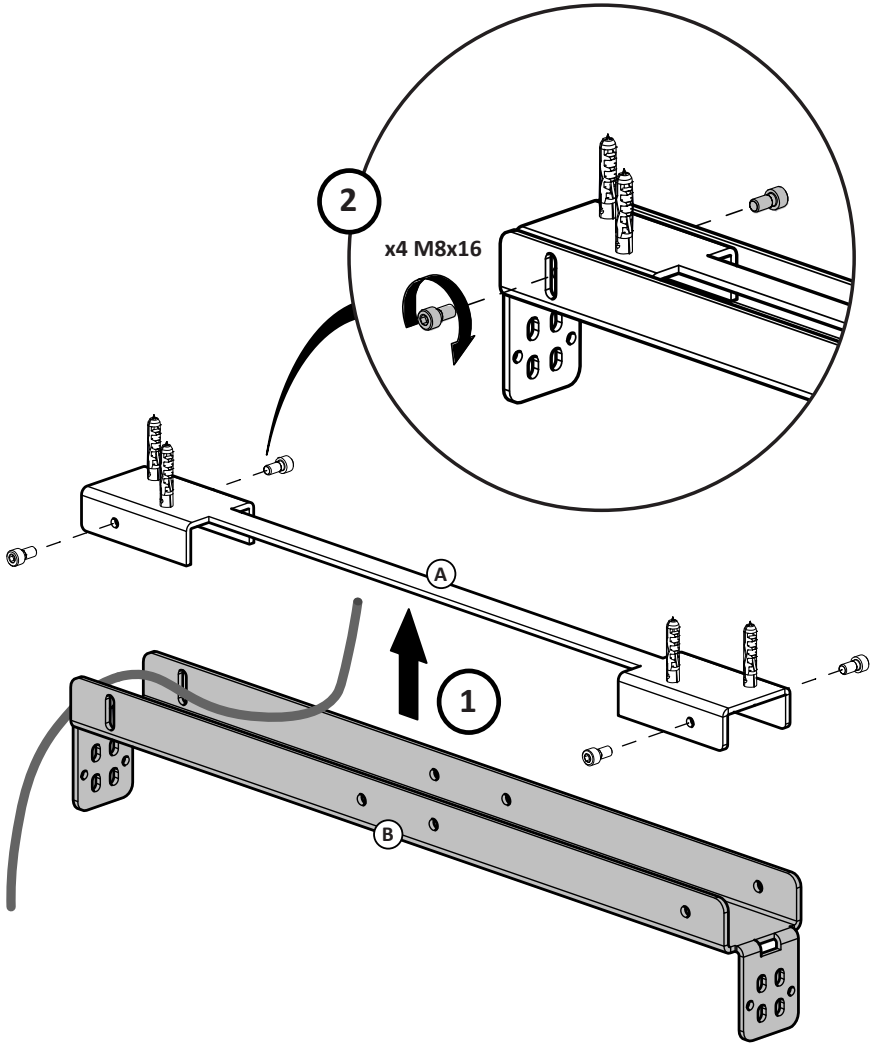
1 Install Ceiling bracket A



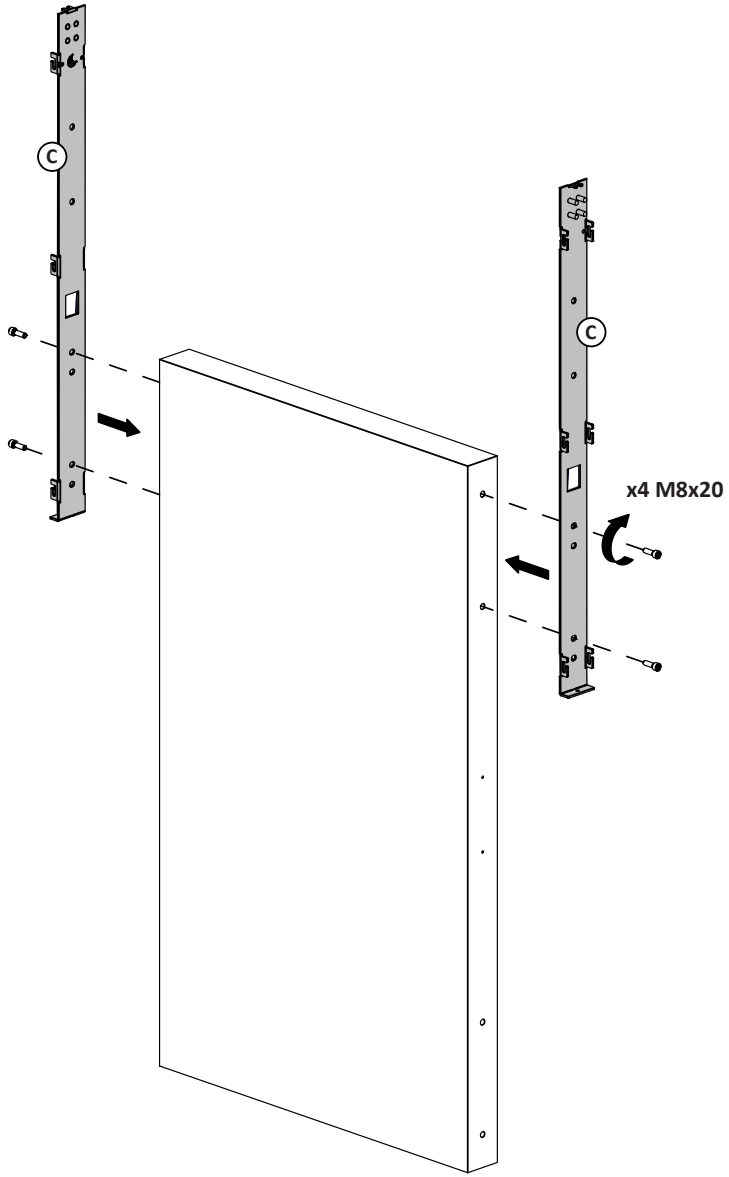
CAUTION

It is the responsibility of the installer to use the appropriate fixings for the specific installation location.

2 Run cables from ceiling and install Ceiling bracket B



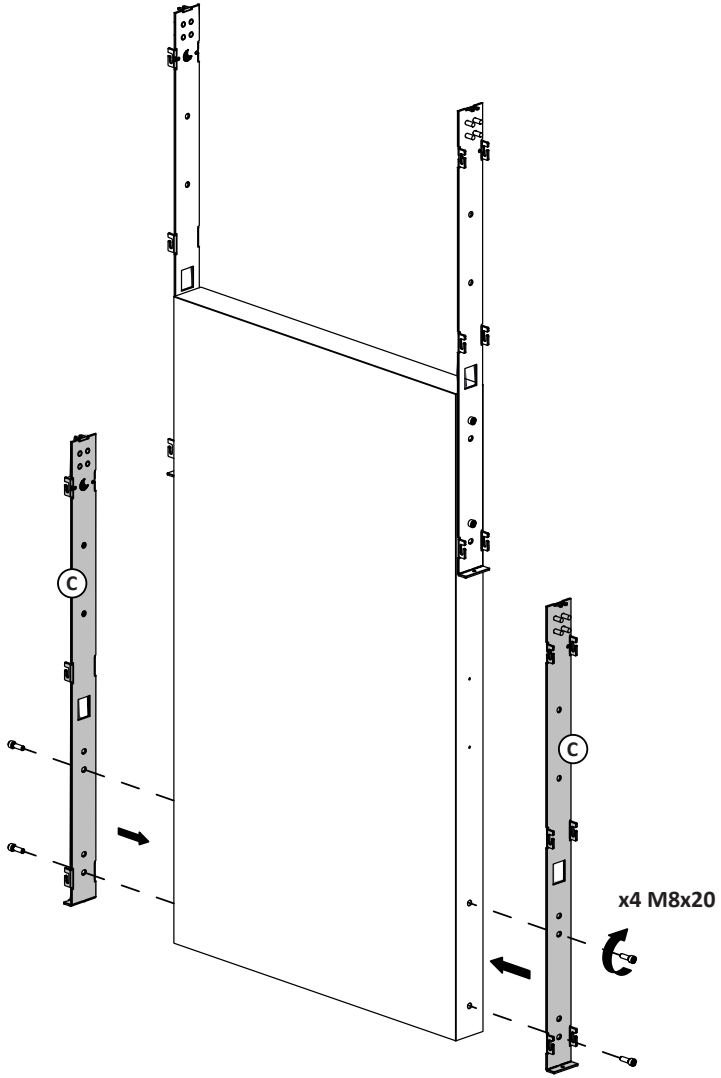
3 Attach side brackets on screen



4

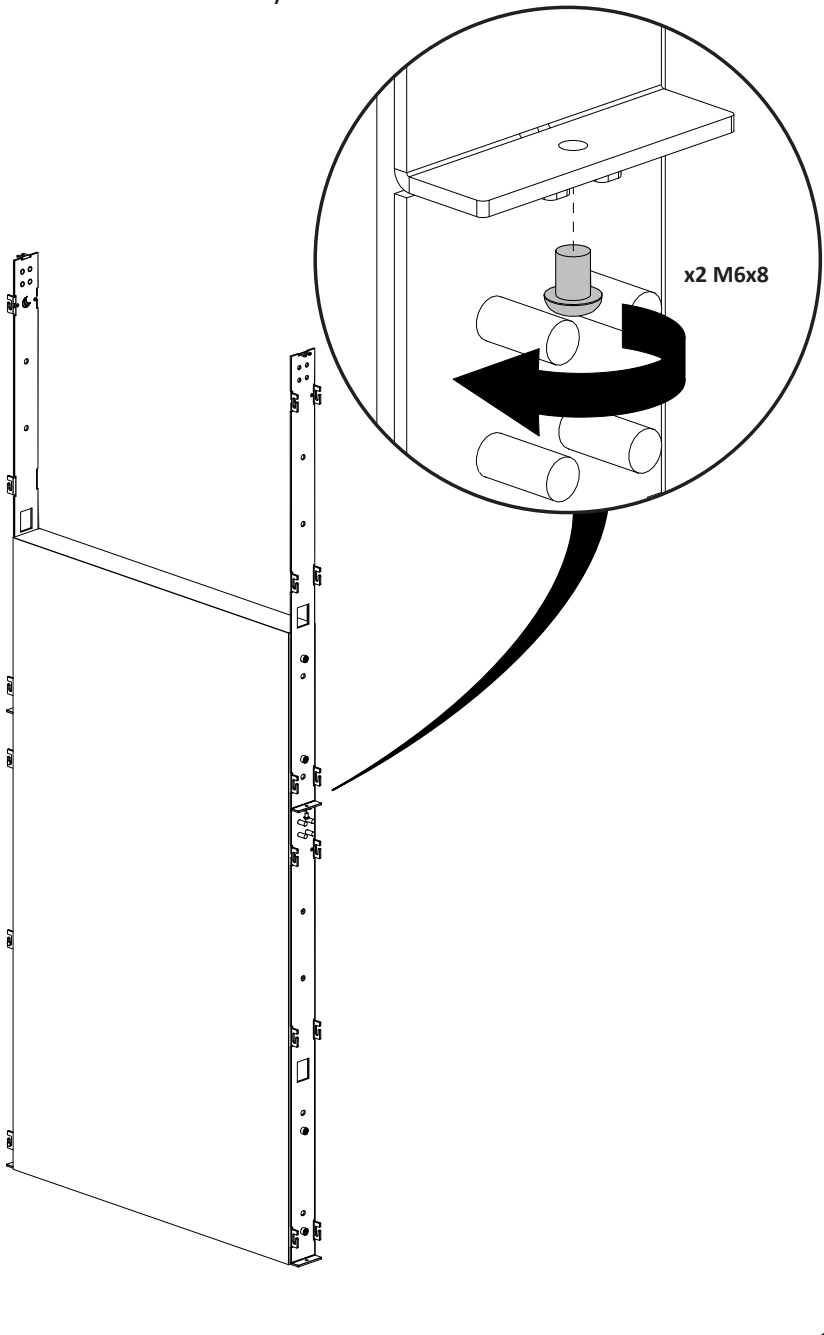
Attach side brackets on screen

For SPDS4300 only



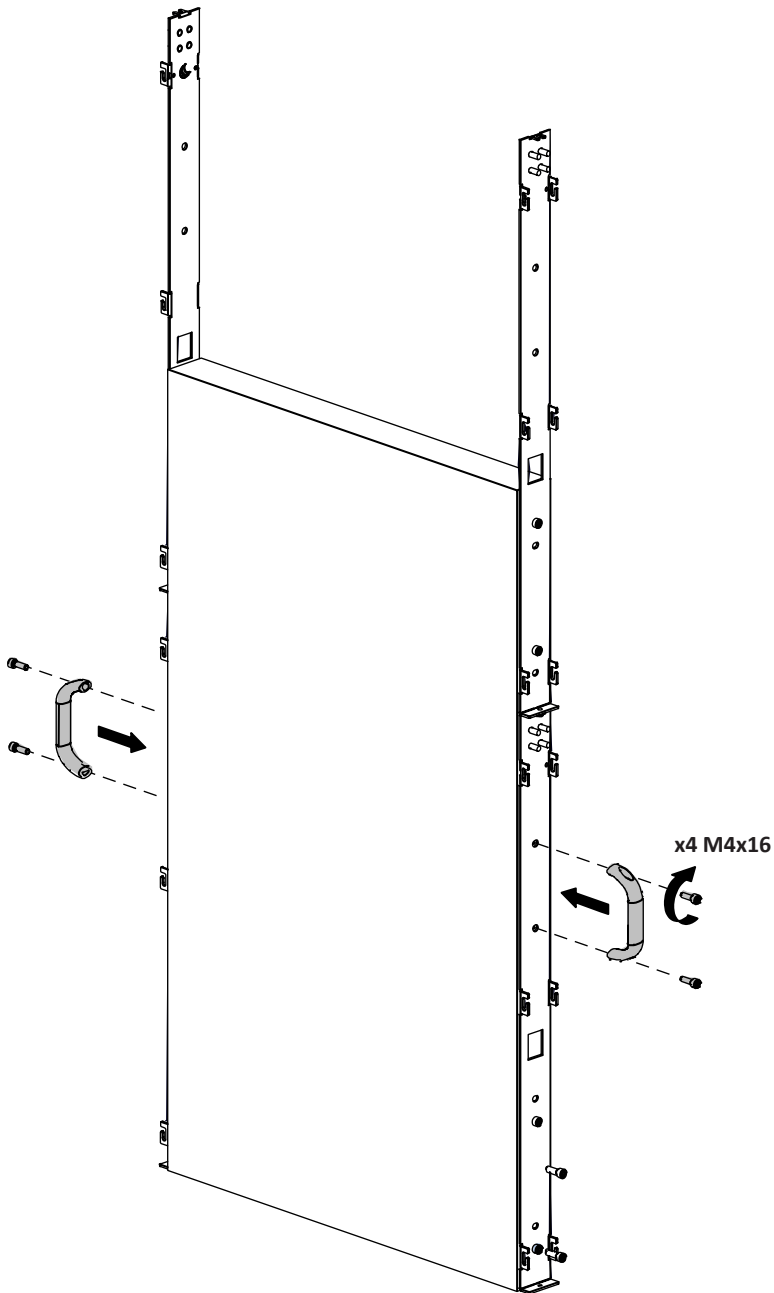
5 — Secure lower side brackets

For SPDS4300 only

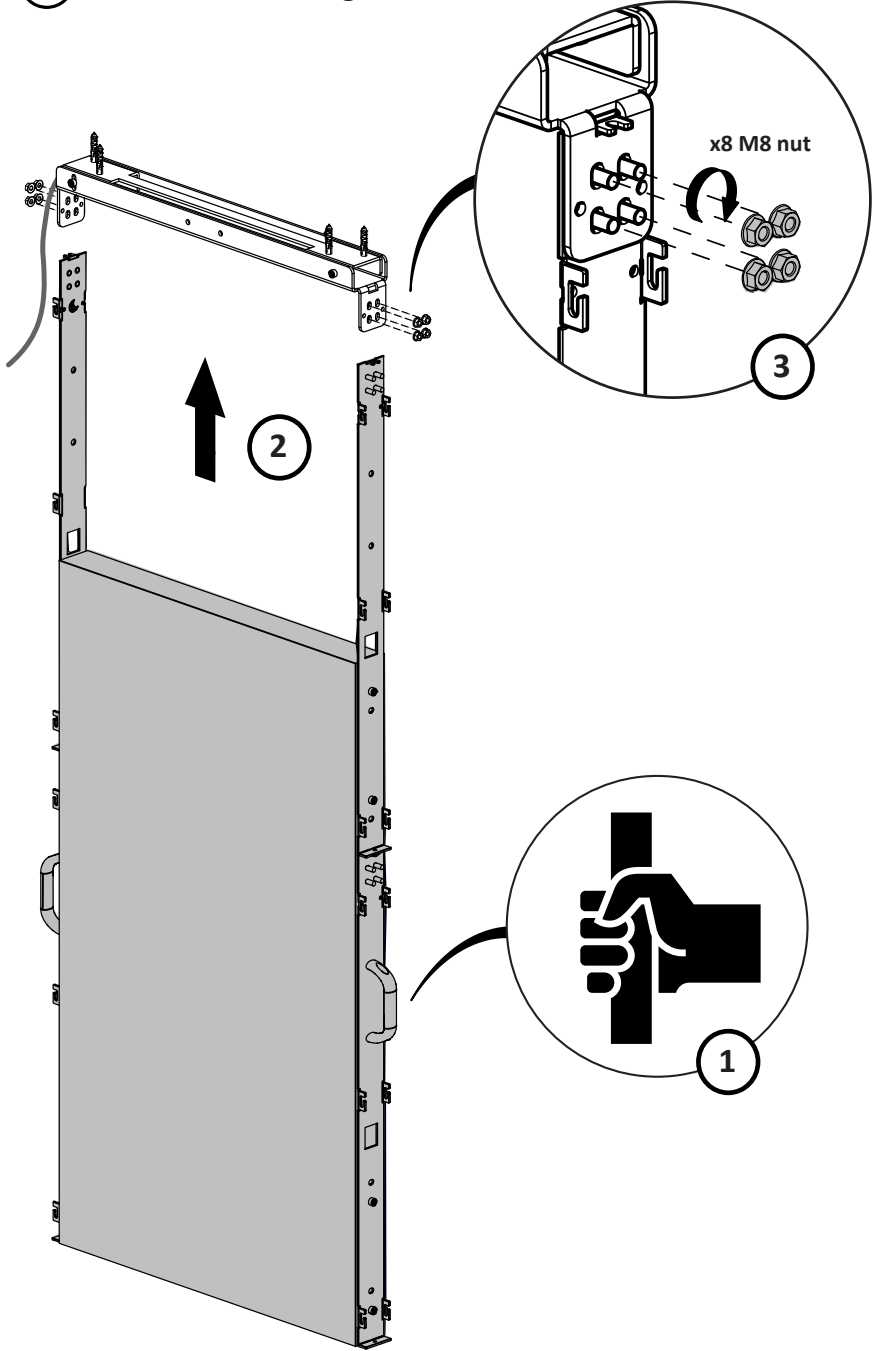


6

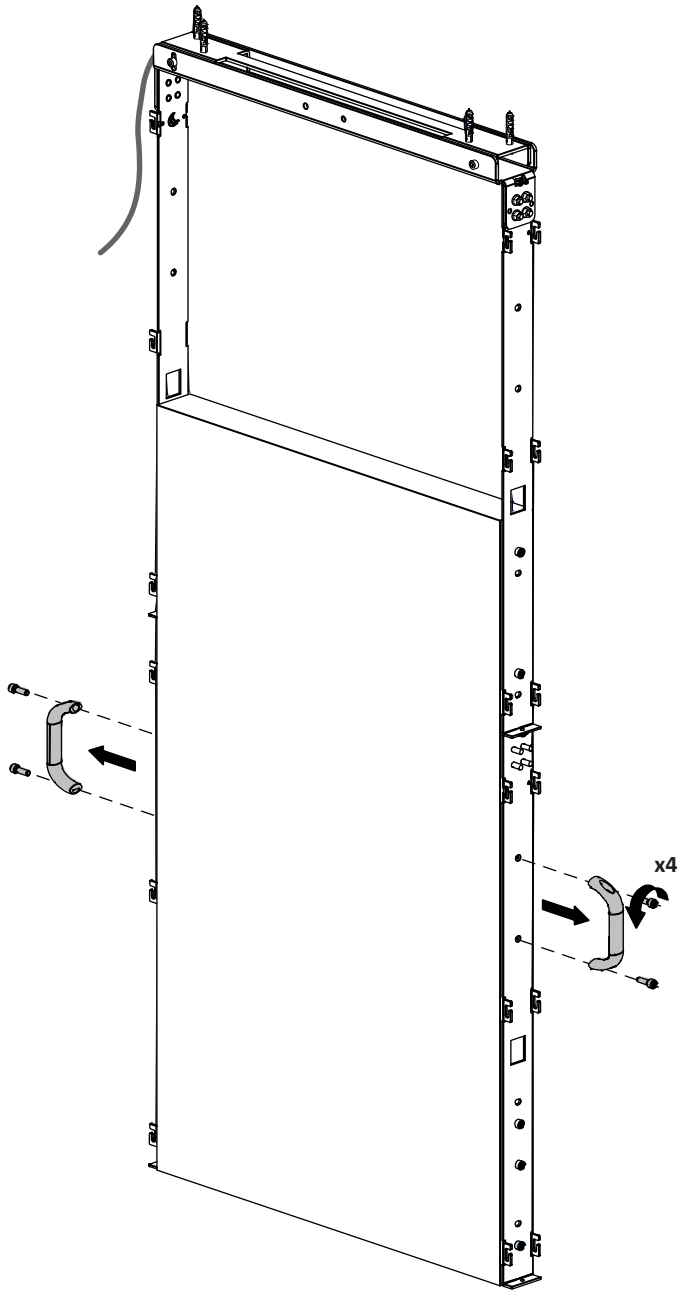
Attach screen handles



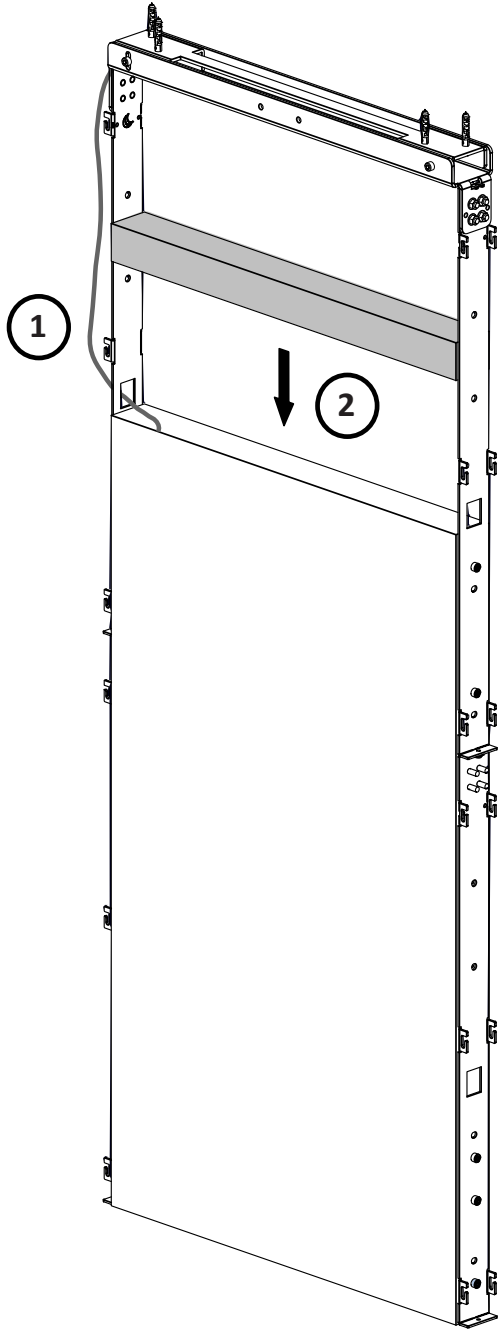
7 Mount screen using handles



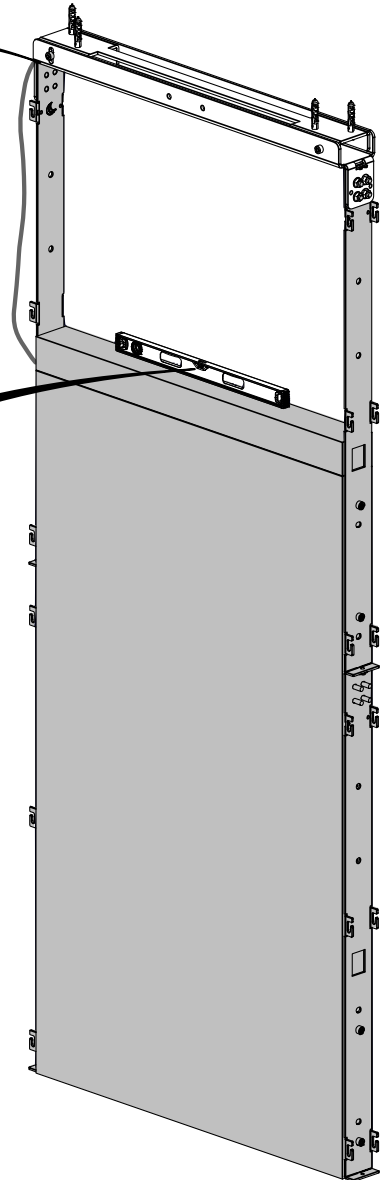
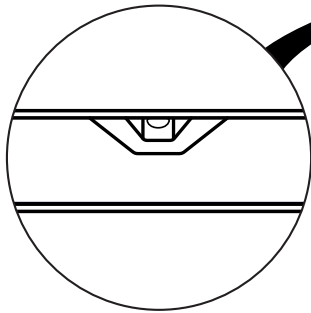
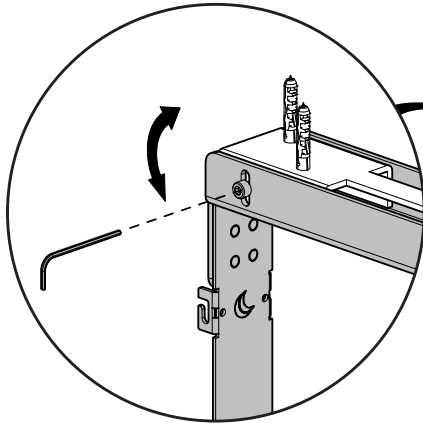
8 Remove screen handles



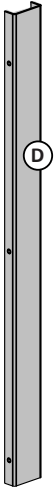
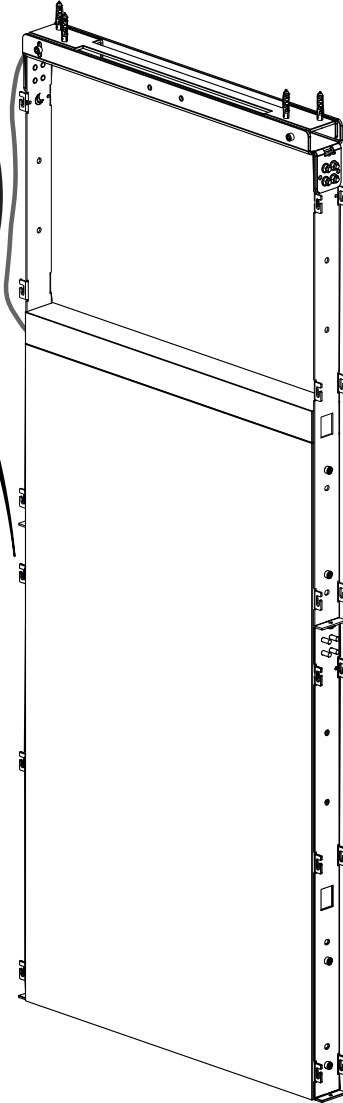
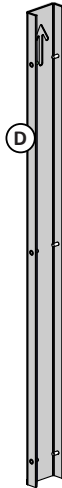
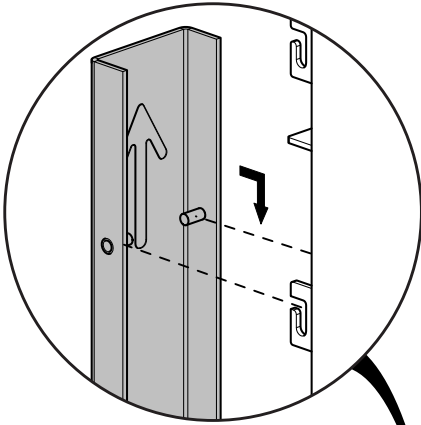
9 Cable management



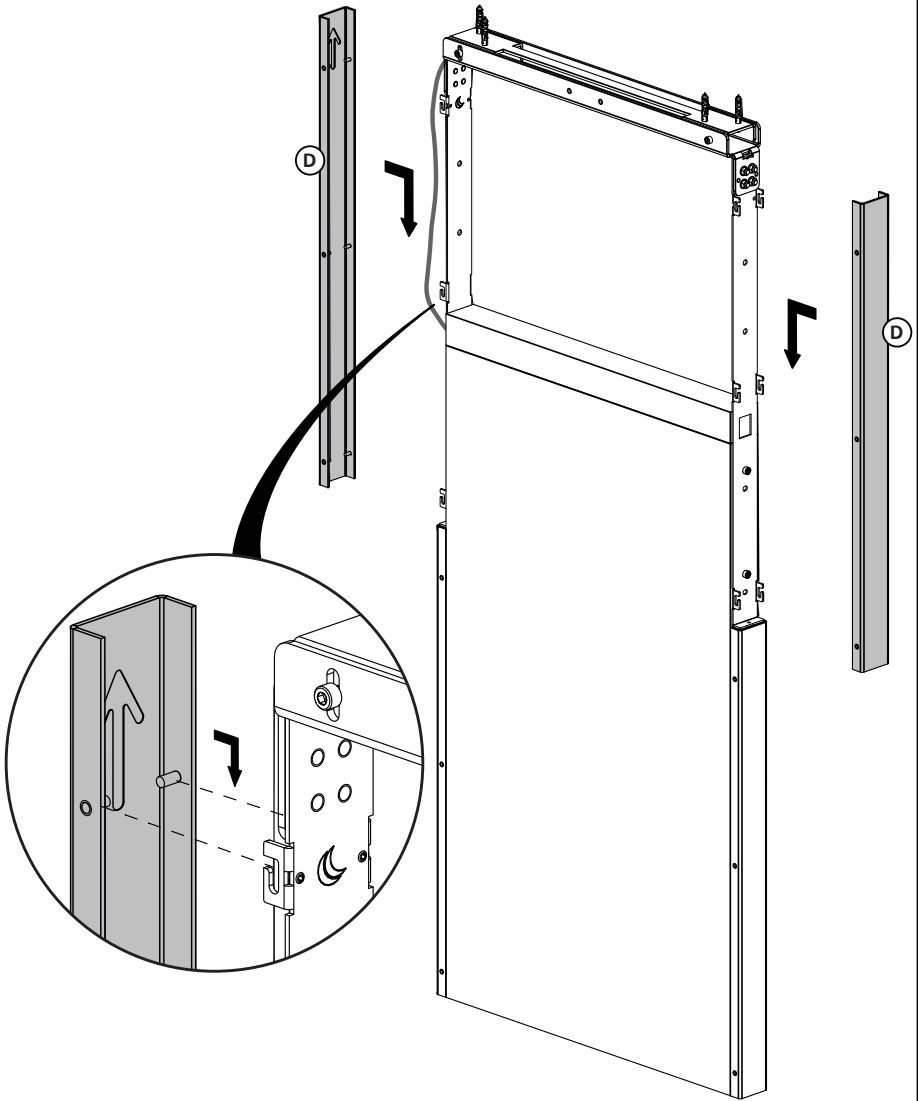
10 Level the display



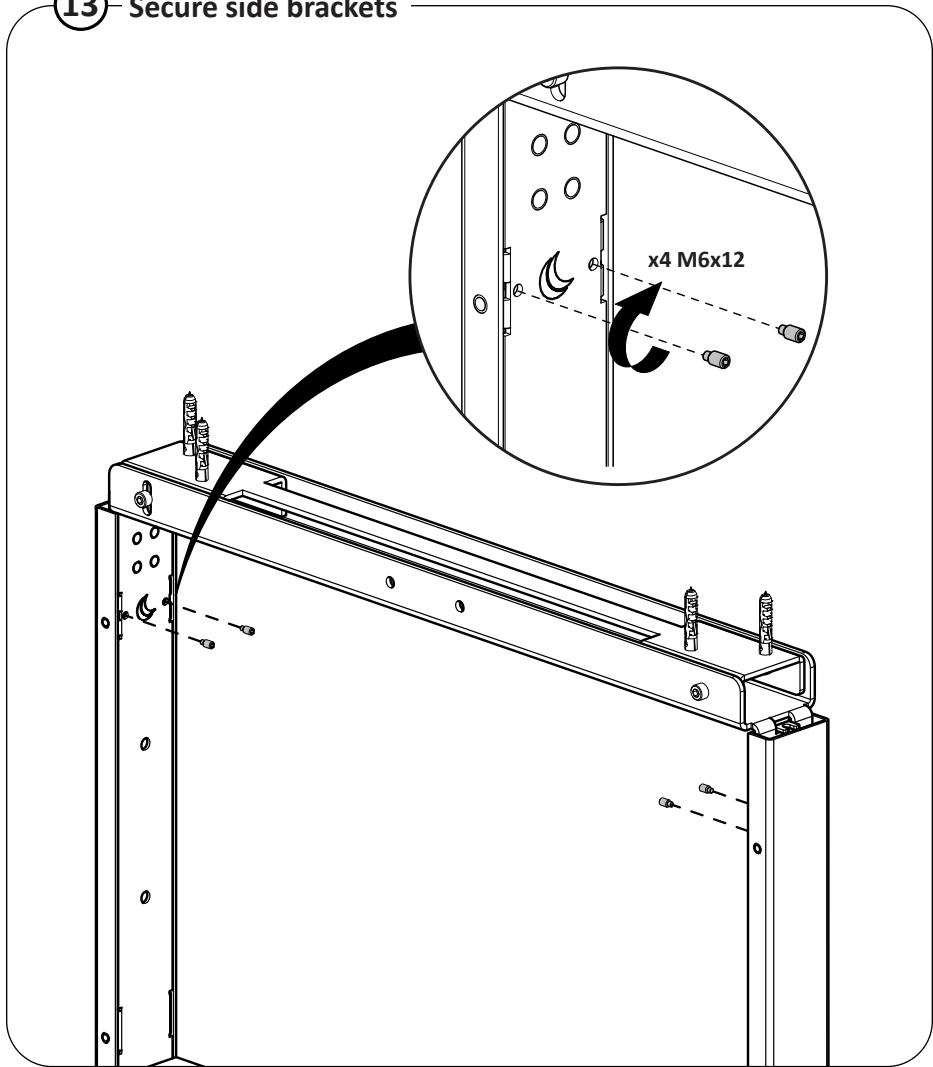
11 Attach side covers
For SPDS4300 only



12 Attach side covers



13 Secure side brackets



Need help? Contact us



 ergonomic solutions®
creators of SpacePole



 spacepole®
an ergonomic solutions company

ergonomic.solutions/about/contact-us

spacepole.com/about/contact-us