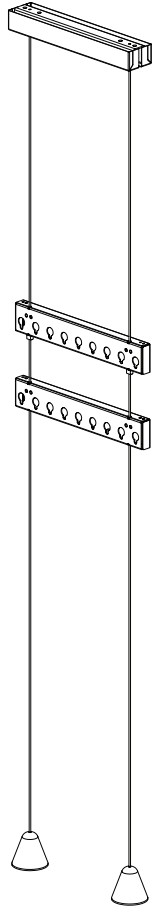


# Installation Guide

## SPDS4200

### In-window wire mount 5m





## CAUTION

- Please ensure that you read and understand the content of the installation guide, before you begin the installation process.
- This product must be installed by a professional installer.
- Do not overtighten the fixings.
- The maximum weight limit for the hardware (screen, accessories etc.) for this solution is 100 kg. Do not exceed the stated weight limit.
- This product is intended for indoor use only.
- This solution is designed for certified hardware and accessories. Always follow the installation guide from the hardware manufacturer for correct installation.
- Do not power the hardware until the entire solution is fully assembled.
- If these installation instructions are not followed precisely, it could lead to product failure and potential personal injury.
- Ergonomic Solutions cannot be held responsible for any product failure or personal injury, if the installation instructions are not followed correctly.
- Ergonomic Solutions cannot be held responsible for any product failure or personal injury, if any modifications have been made to the product by the customer.

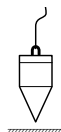
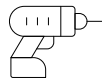
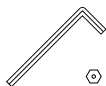
## MAINTENANCE

- It is the responsibility of the customer to periodically check the installation and ensure it is clean and all fixings are tightened correctly

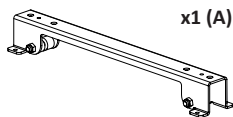
## Tool list



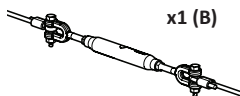
SPIRIT LEVEL



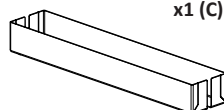
## Box content



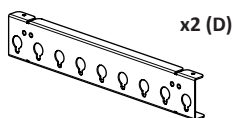
x1 (A)



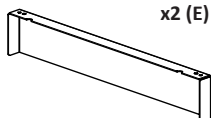
x1 (B)



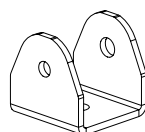
x1 (C)



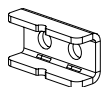
x2 (D)



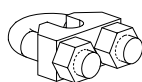
x2 (E)



x2 (F)



x4 (G)



x2 (H)



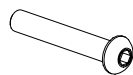
x4 (I)



x2 (J)



x2 (K)



x2 M8x50



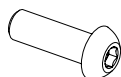
x8 M6 flange nut



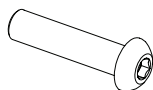
x2 M8 nut



x4 M6x6



x4 M8x25



x4 M8x35



x4 M6x16

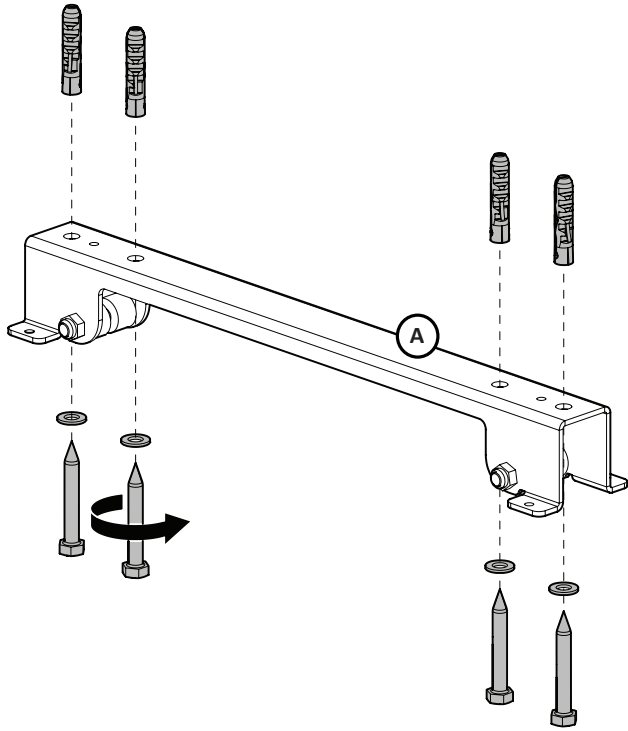


x4 M6x12



x10 M8 washer

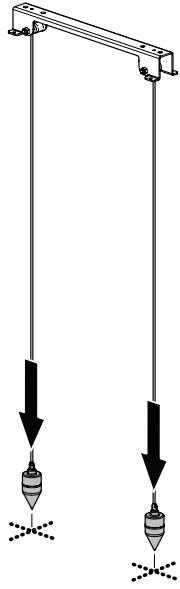
# 1 Ceiling bracket mounting



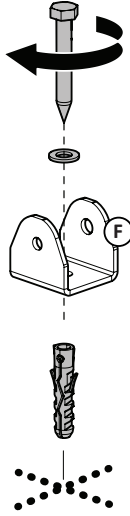
It is the responsibility of the installer to use the appropriate fixings for the specific installation location!

## 2 Floor wire holders mounting

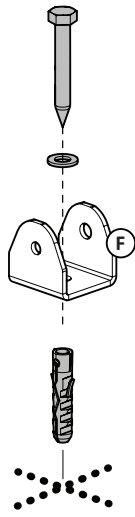
2a



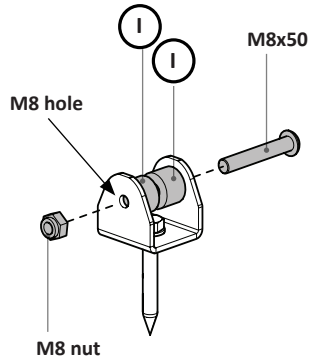
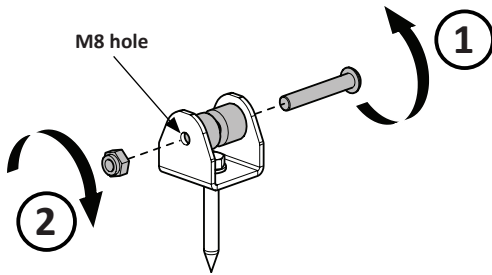
2b



It is the responsibility of the installer to use the appropriate fixings for the specific installation location!

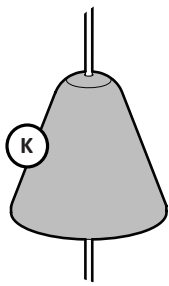
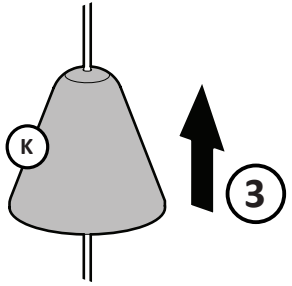
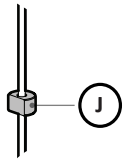
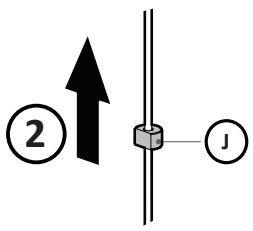
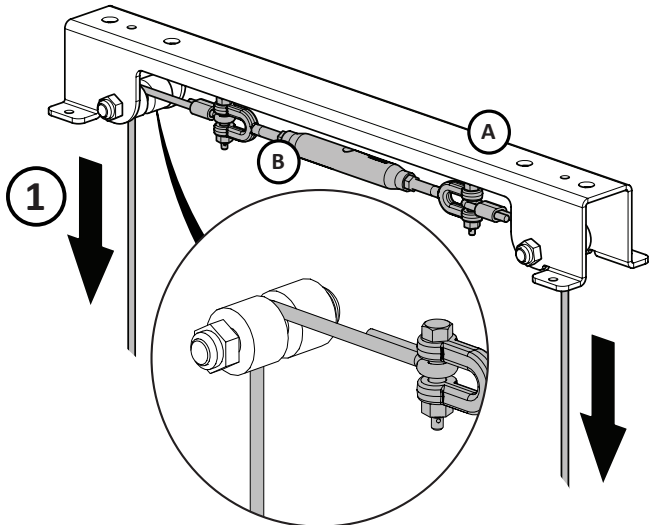


### 3 Wire holders mounting

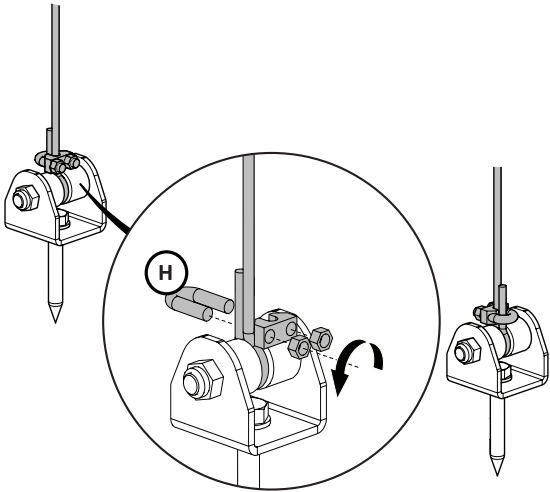
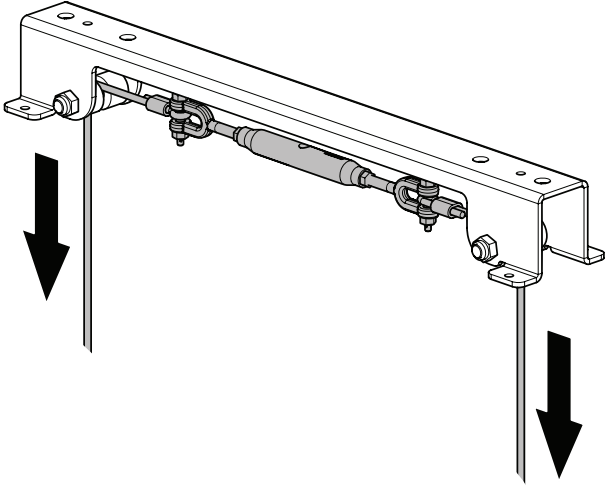


Do not overtighten, leave room for the wire between the two elements (I)!

4 Wire routing and covers



5 Wire routing and securing

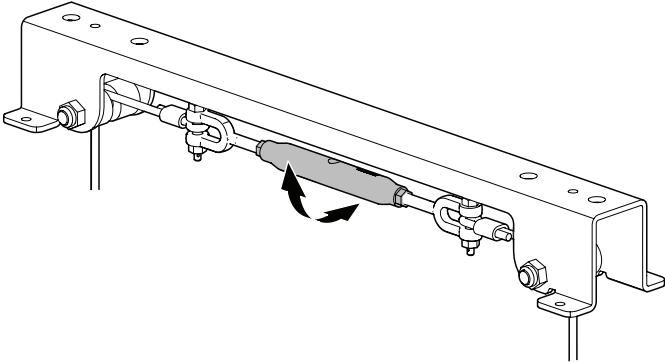


Pull the wire straight!  
Tighten as close as possible to the bolt!  
Cut excessive wire!



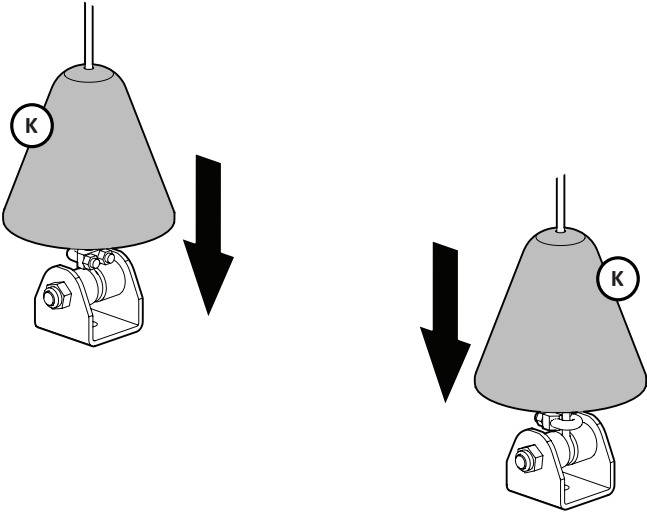
6 Tighten the wires

6a

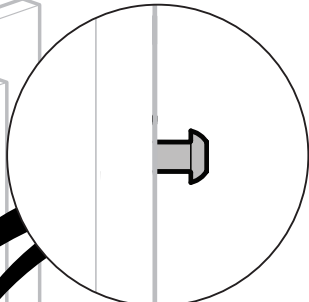
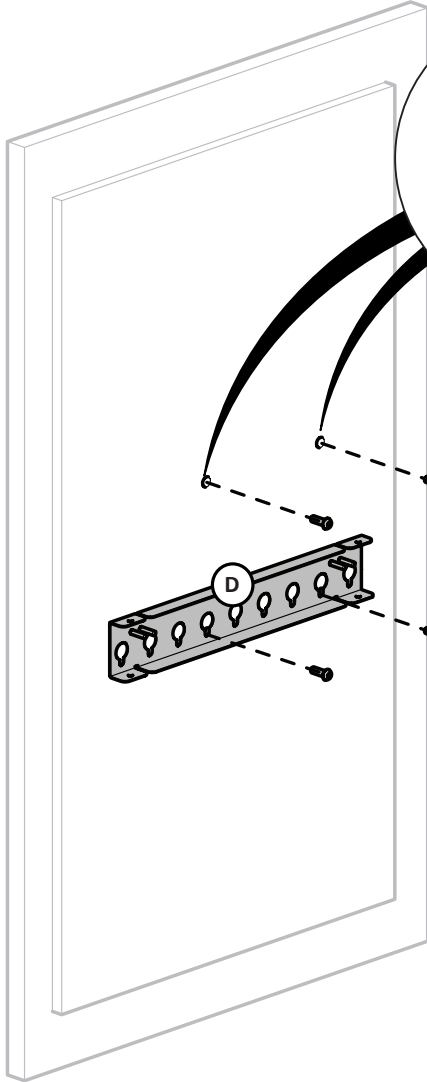


Tighten by hand until wires are tensioned.  
Do not tighten with tools!

6b



# 7 Preparation of screen



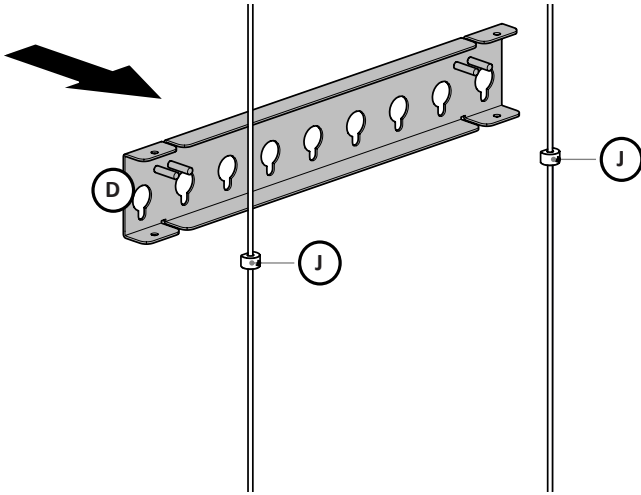
Do not fully tighten the 2 top screws, leave gap!

x4

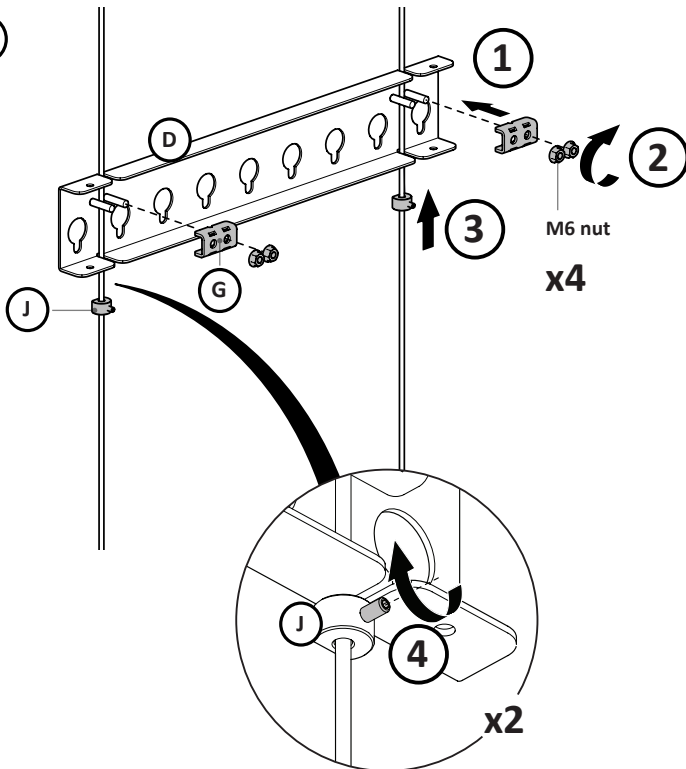
- M8x35
- OR
- M8x25
- OR
- M8x16
- OR
- M6x12
- M8 spacer
- M8 washer

## 8 Screen brackets mounting

8a

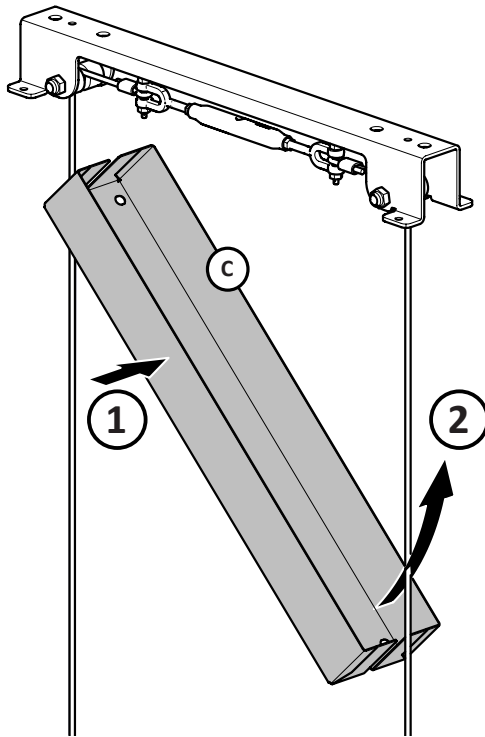


8b

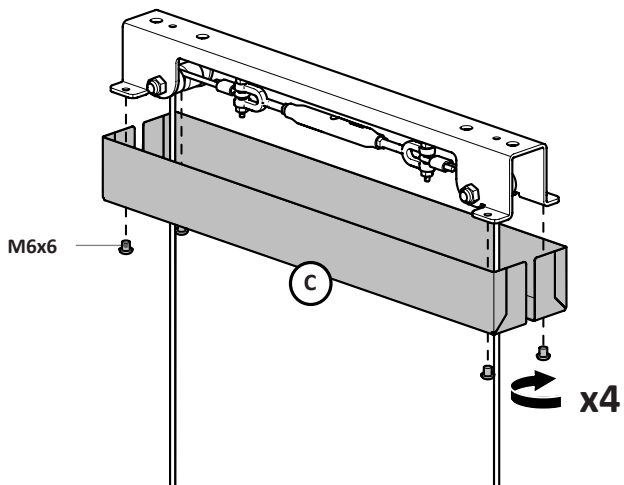


9 Mounting ceiling bracket cover

9a

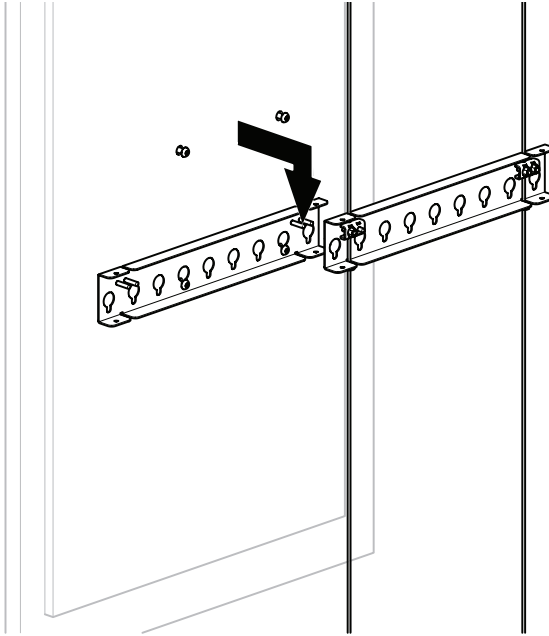


9b

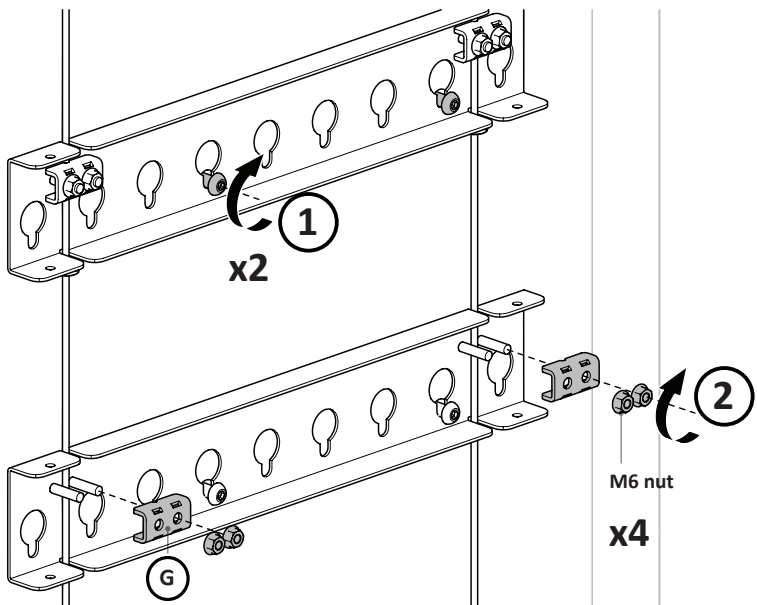


10 Screen mounting

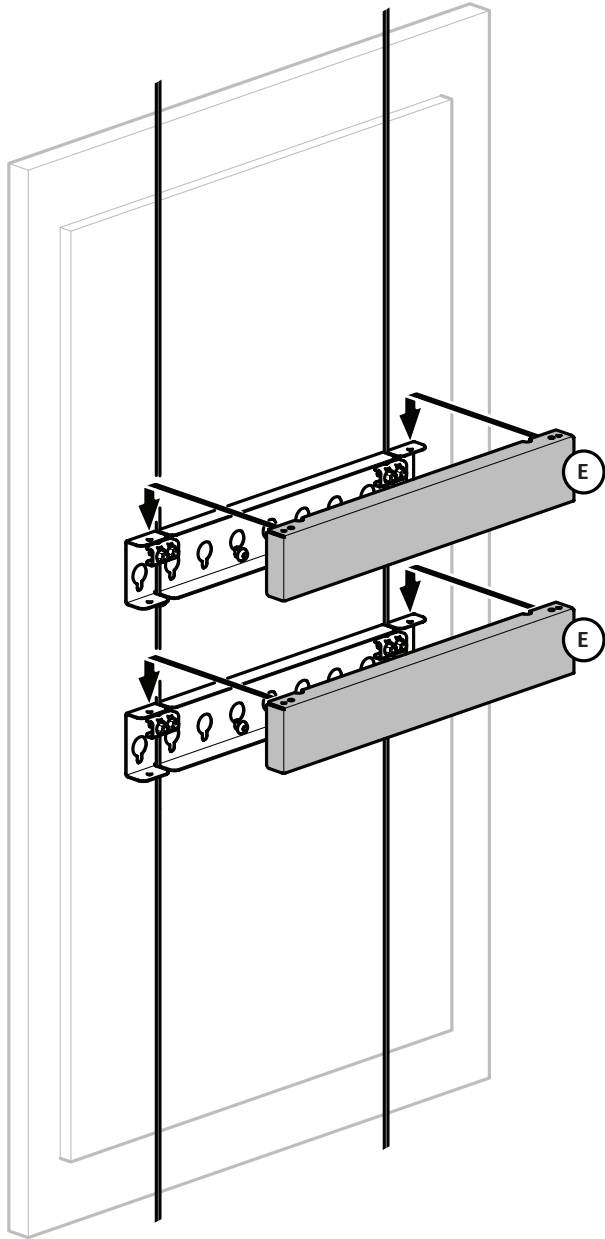
10a



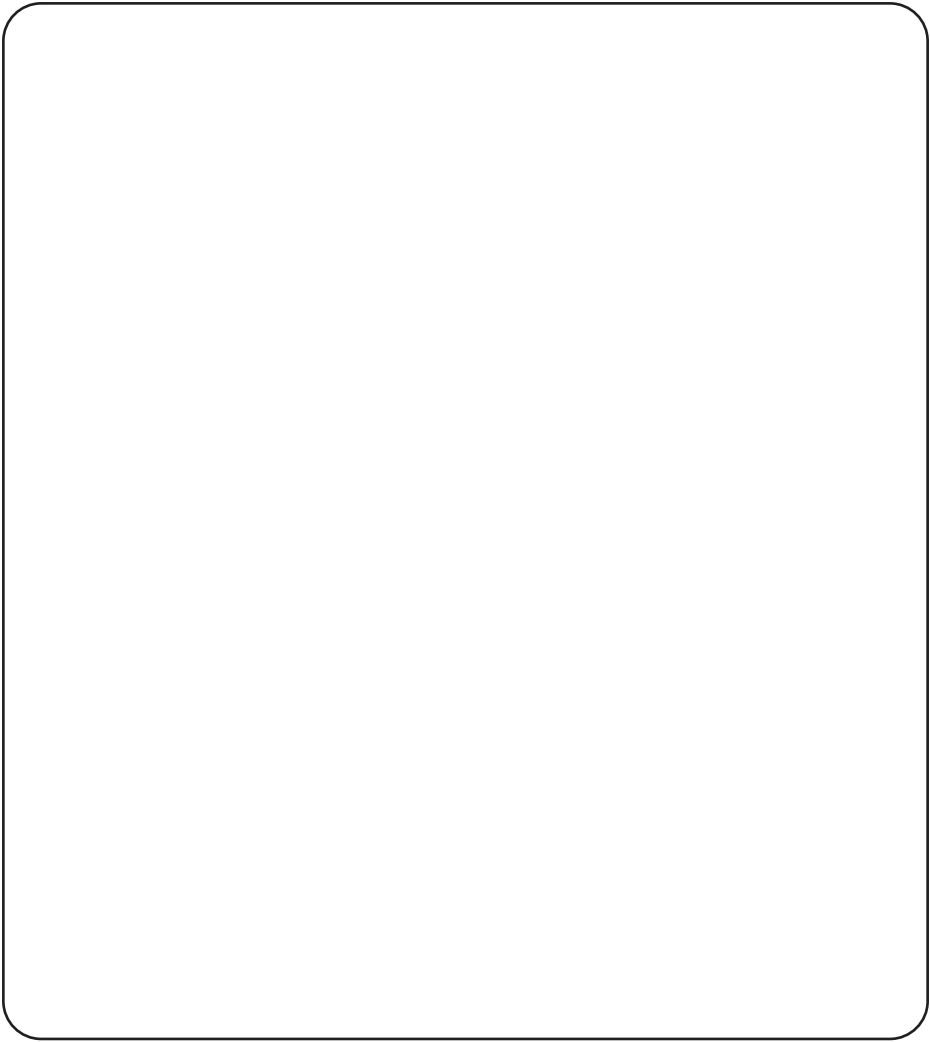
10b



11 Mounting screen brackets covers



*This Page Intentionally Left Blank*



Need help? Contact us



ergonomic<sup>®</sup>  
solutions  
creators of SpacePole



spacepole<sup>®</sup>  
an ergonomic  
solutions company

[ergonomic.solutions/about/contact-us](http://ergonomic.solutions/about/contact-us)

[spacepole.com/about/contact-us](http://spacepole.com/about/contact-us)