

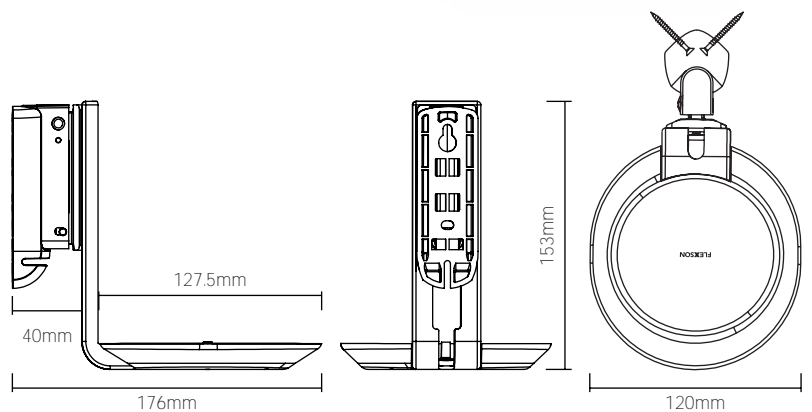
Wall Mount with corner piece for **Era 100**



This Flexson Wall Mount is built to hold your Sonos Era 100 speaker at the ideal listening height and position, thanks to the unique tilting mechanism and swivel that allows for easy movement of your speaker into the perfect angle and now with corner mount adapter plate.

The Flexson Wall Mount for the Sonos Era 100 is colour matched to your speaker, and blends discreetly and stylishly in any environment, with a clever design that hides cable entry while keeping your speaker secure. Like all Flexson products, this Wall Mount for the Sonos Era 100 is precision engineered, and quick and easy to assemble.

- Quick and easy assembly
- Designed to colour match your Sonos speaker
- Crafted specifically to support the Sonos Era 100 speaker
- Can be inverted to hold the speaker upside down
- Unique tilting mechanism and 80° swivel
- Precision engineered for quality
- Fixing hardware included for brick/masonry and brick/studwork



	White		Black	
Product Code	FLXE100WM1011		FLXE100WM1021	
EAN-13 Barcode	5057964002668		5057964002675	
UK, European and US (SRP)	£39.99	€44.99	\$44.99	
Product Specifications	Height	Width	Depth	Weight
Product Size (mm)	153mm	120mm	176mm	
Carton Dimensions (mm)	192mm	173mm	44mm	0.65kg
Carton Contents	1 x mount, 1 x instructions, 1 x fixings			
Country of Manufacture	China	Outer Carton Quantity	10	