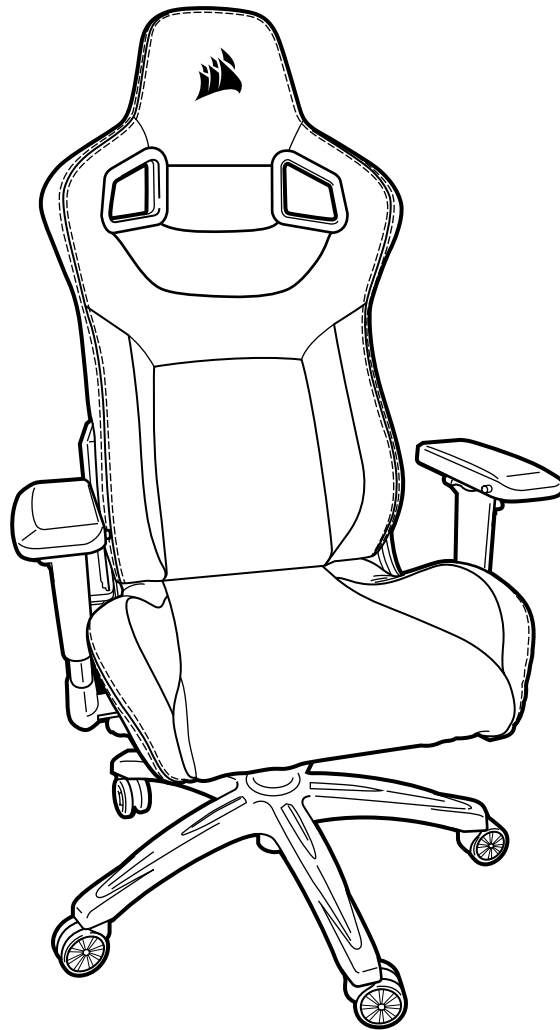




CORSAIR



GAMING CHAIR

QUICK START GUIDE

EN ENGLISH

INTRODUCTION

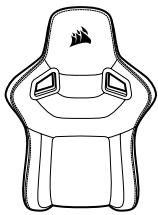
Congratulations on your new CORSAIR chair! This quick start guide will walk you through assembly and get you sitting and comfortable as quickly as possible.

There may be differences in the shape, color, or design of your specific chair, but be assured the assembly techniques shown here are compatible for all CORSAIR chairs.

We also have a video guide for most of our chairs on the CORSAIR LAB YouTube Channel, found here: www.youtube.com/CORSAIRHowTo

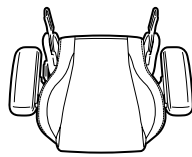
Thanks for choosing CORSAIR and we hope you enjoy your new chair!

PACKAGE CONTENTS



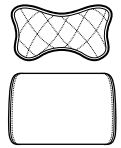
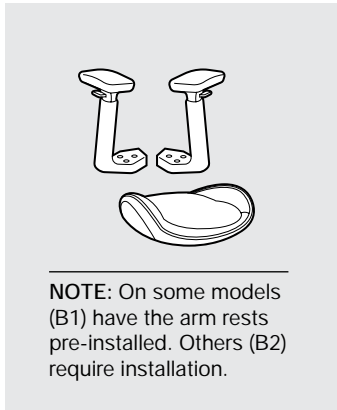
x1

Seat back



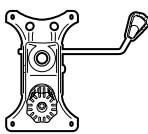
x1

Seat cushion



x1

Neck / head and lumbar pillow (if equipped)



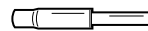
x1

Seat control base



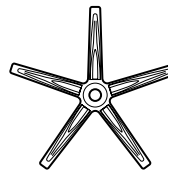
x1

Piston cover



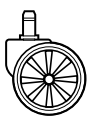
x1

Gas piston



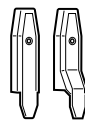
x1

Seat base



x5

Casters



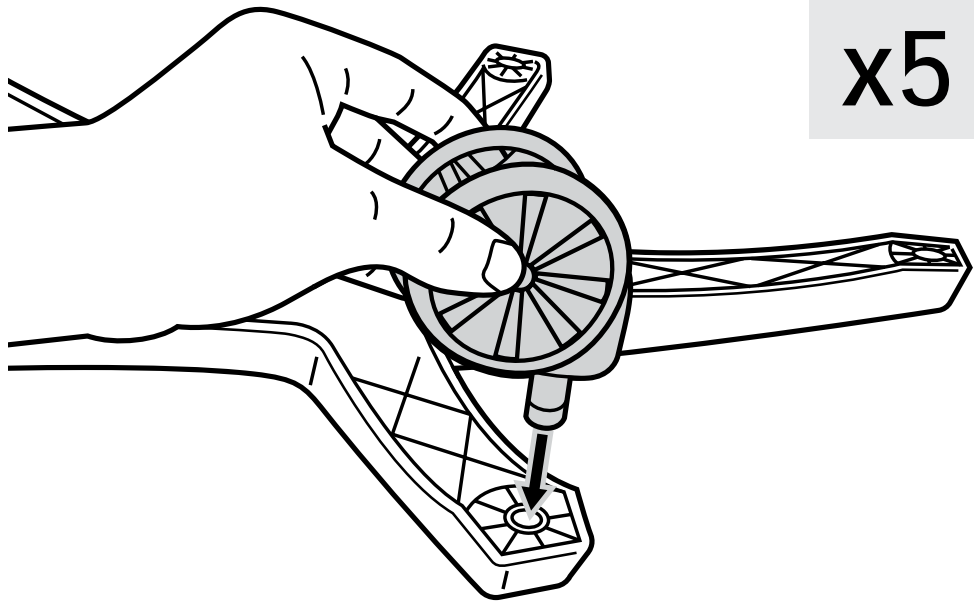
x2

Seat back bracket covers

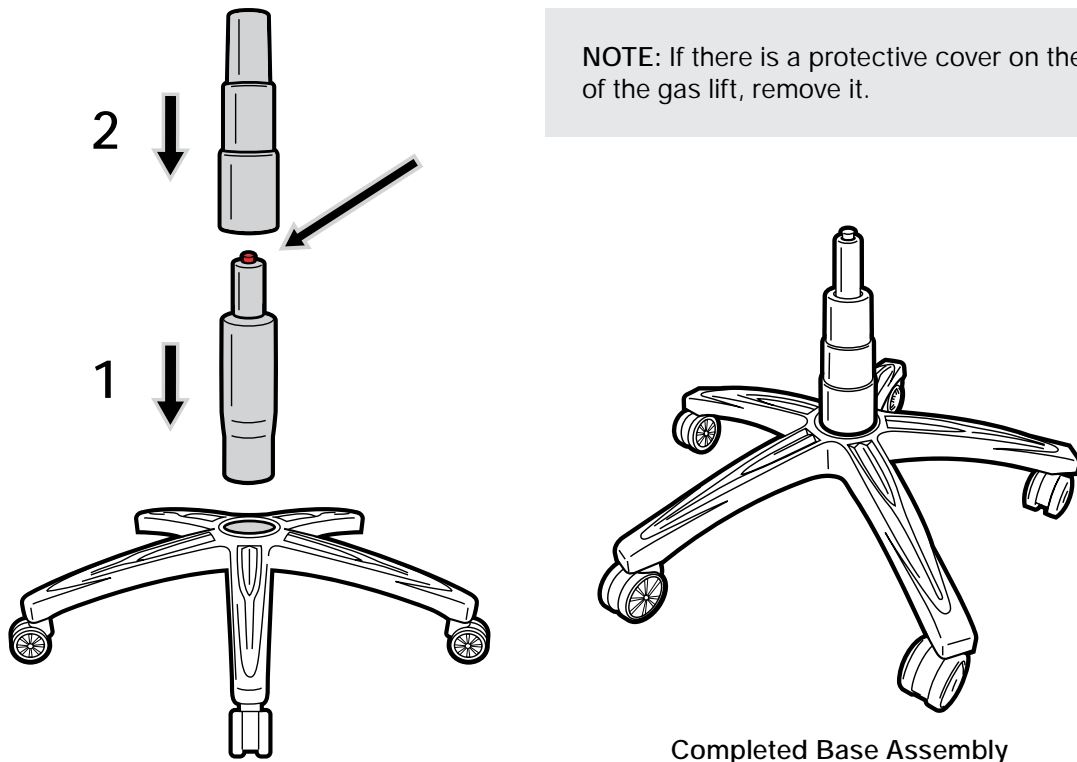


Assembly hardware and tools. (NOTE: the included screw quantity, size, and other components may vary slightly)

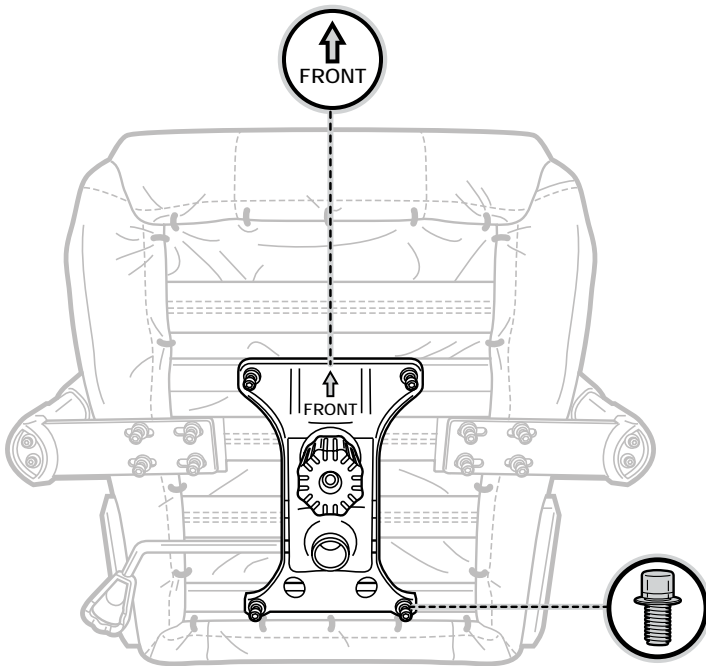
STEP 1: INSTALL CASTERS



STEP 2: INSTALL PISTON AND COVER

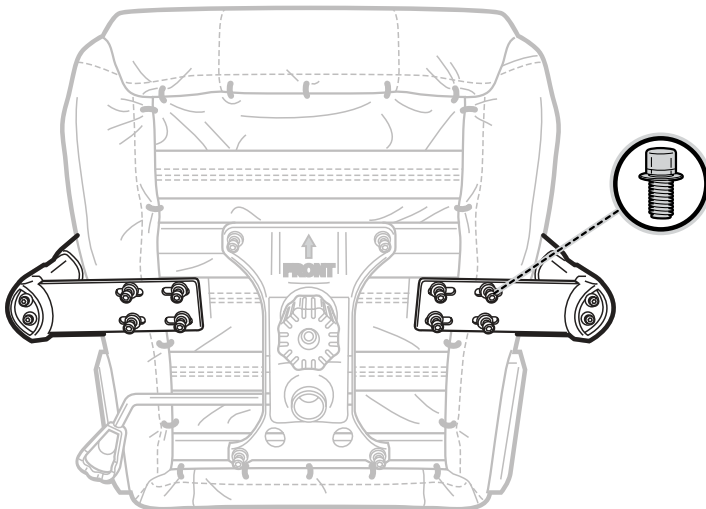


STEP 3: ASSEMBLE CHAIR SEAT MECHANISM



NOTE: On some models, the screws are pre-installed in the seat and will need to be removed and re-used. In others, the screws are in the hardware bag. Use four screws to secure seat base.

STEP 4: INSTALL ARM RESTS

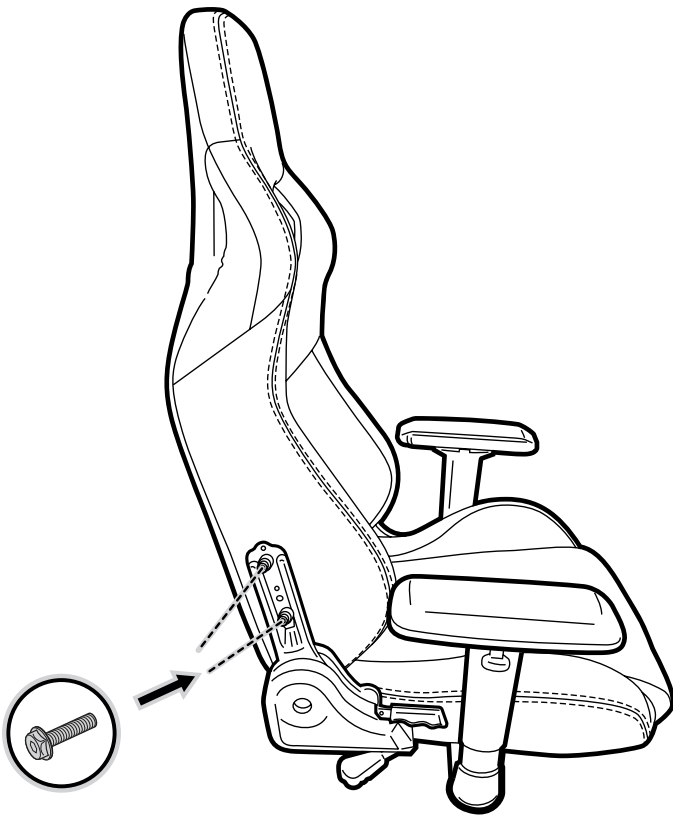


NOTE: If your chair seat had arm rests pre-installed, you can skip this step.

NOTE: On some models, the screws are pre-installed in the seat and will need to be removed and re-used. In others, the screws are in the hardware pack.

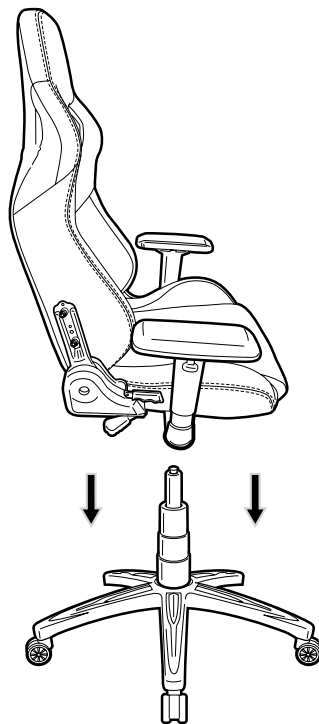
Arm rests may vary in number of screws required to secure to base.

STEP 5: SECURE SEAT BACK TO SEAT CUSHION

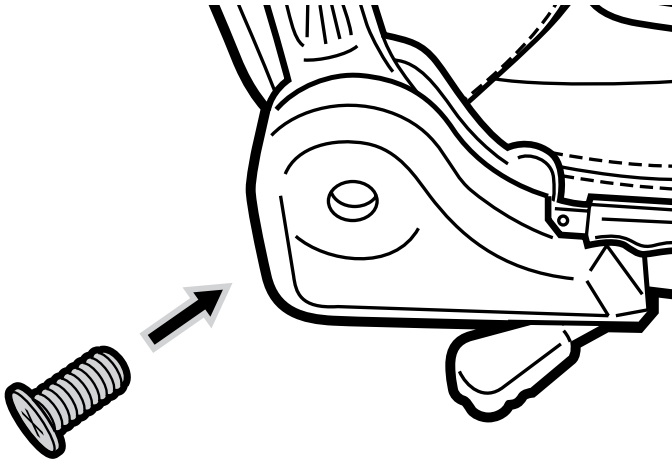


NOTE: On some models, the screws are pre-installed in the seat and will need to be removed and re-used. In others, the screws are in the hardware pack. Use two screws per side.

STEP 6: PLACE CHAIR ASSEMBLY ON BASE



STEP 7: PLACE COVERS ON HINGES



NOTE: Some models may also require a hinge cover to be installed with a screw, while others have the cover pre-installed.

Cover hinge with plastic cover, secure with small screw into chair. Use the plug to cover the screw hole.



NOTE: Cover, hinge, and plug designs may vary between models.

STEP 8: ADD NECK AND LUMBAR PILLOWS (OPTIONAL)



USER MANUAL

WARNING: Improper use of this chair may cause damage to this chair or result in personal injury. Please use this chair in a non-abusive manner.

1. Tilt lock / height adjustment lever

Push the lever towards the center of the chair to engage the tilt lock. Pull it away from the chair to disengage the tilt lock.

To lower the height of the chair, pull the lever upwards while weight is applied on the chair. To increase the height, pull the lever up while the chair is empty.

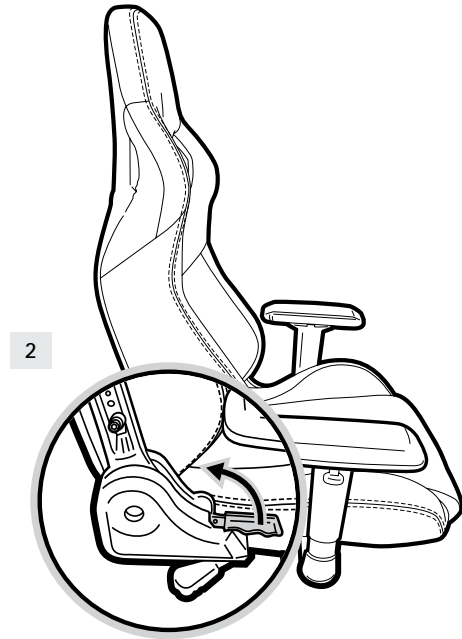
1



2. Recline lever

Pull this lever up to recline the seat back forward or backward.

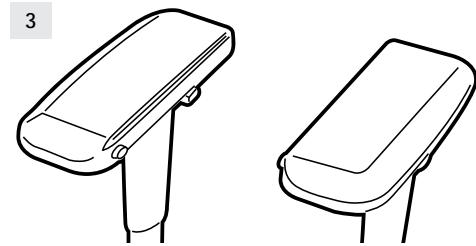
WARNING: Do not apply pressure to the seat back prior to pulling the recline lever. The sudden shift of weight may cause the chair to become unstable which may cause damage to the chair and/or result in personal injury.



3. 4D arm rest

NOTE: Not all chairs feature four-way arm rest adjustability, some may feature two or three-way modes instead.

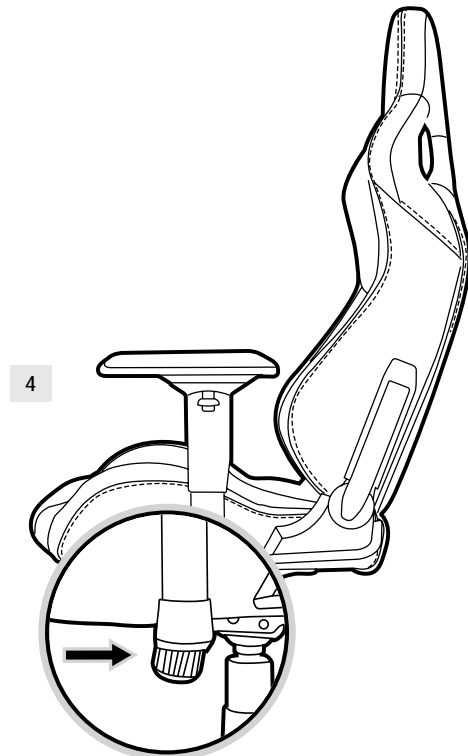
- A. Forward / backward slide button
- B. In / out button
- C. Height adjustment tab
- D. Swivel



4. Tilt tension knob

Rotate this knob to increase (+) or decrease (-) the tilt tension.

TIP: If the chair tilts easily, you may want to increase the tension. Alternatively, decrease the tension if you find it too hard to lean back while sitting on the chair.





Web: corsair.com

Phone: (888) 222-4346

Warranty: corsair.com/support/warranty

Support: support.corsair.com

Blog: corsair.com/blog

Forum: forum.corsair.com

YouTube: youtube.com/corsairhowto

© 2023 CORSAIR MEMORY, Inc. All rights reserved. CORSAIR and the sails logo are registered trademarks of CORSAIR in the United States and/or other countries. All other trademarks are the property of their respective owners. Product may vary slightly from those pictured.

49-002681 AA

