

DAGGER GPU Support Bracket

Exclusive five-hole design, similar to the steel framed building, supports your graphics card stably.

FIVE-HOLE BRACKET

The 5-hole support arm locks into place to fit those horizontally mounted heavy GPU cards, prevents its from bending and sagging.

ADJUSTABLE SUPPORT COLUMN

Height of Support Range
40 - 65 mm

Width of Support Range
170 - 270 mm

ANTI-SCRATCH & SHOCK-ABSORBING RUBBER PAD

SLIDE TYPE SUPPORT STRUCTURE

Providing flexible support and control (170-270 mm) to meet any GPU cards of different heights.

PROTECT YOUR COMPONENTS

The combination of plastic side plates and the all-anode process can maintain the durability of the surface texture, and can be used as long-term components.

TOOL-FREE THUMB SCREW

UNIVERSAL COMPATIBILITY

RTX 40 Series, RTX 30 Series, RX 7000 Series, RX 6000 Series

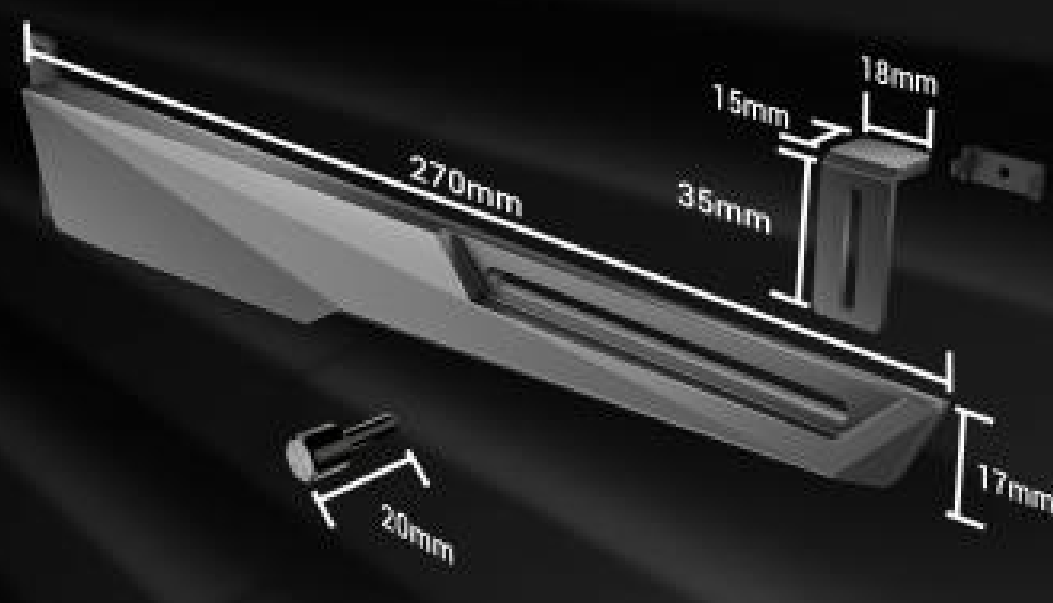
WITH BRACE

WITHOUT BRACE

PROTECT YOUR GRAPHICS CARD

SECURITY

DIMENSIONS



Color	Black
Model Name	AT-HGPUH-BK
Warranty	1 year
UPC#	0-761345-77724-7



Color	White
Model Name	AT-HGPUH-W
Warranty	1 year
UPC#	0-761345-77736-0