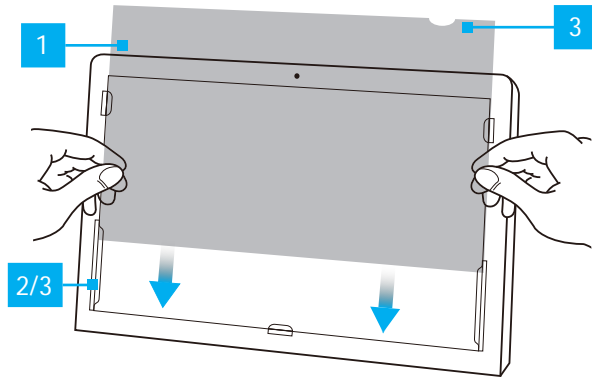


Privacy Filter

Product ID

XXXL-PRIVACY-SCREEN / PRIVSCNMONXX / PRIVACY-SCREEN-XXXX / XXXXX-PRIVACY-SCREEN



*Product may vary from image

Component	Function
1 Privacy Filter	<ul style="list-style-type: none"> Privacy effect when viewing the screen at angles greater than 30° off-center from the Left or Right The total Field of View is 60 degrees
2 Mounting Tabs	<ul style="list-style-type: none"> Secure the Privacy Filter to the Display Bezels <i>Note: The adhesive on the Mounting Tabs becomes less effective with frequent removal/reapplication</i>
3 Adhesive Strips (Not shown)	<ul style="list-style-type: none"> Secure the Privacy Filter to the Screen surface <i>Note: The Adhesive Strips become less effective with frequent removal/reapplication</i>
4 Finger Notch	<ul style="list-style-type: none"> Helps to grab the Privacy Filter for removal

Package Contents

- Privacy Screen x 1
- Set of Adhesive Strips x 1
- Set of Mounting Tabs x 1
- Wiping Cloth x 1
- Quick Start Guide x 1

Requirements

For the latest manuals, product information, technical specifications, and declarations of conformance, please visit: www.startech.com/support

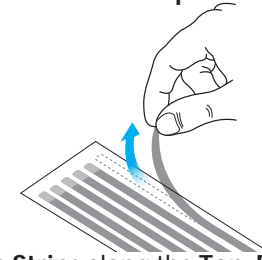
Install the Privacy Filter

Note: For installations intended to be permanent or if the display features slim bezels, it is recommended to use the Adhesive Strips.

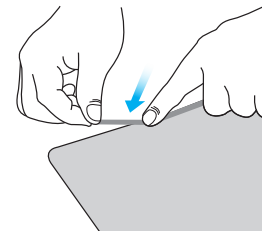
For installations that require frequent removal of the Privacy Filter, it is recommended to use the Mounting Tabs.

Adhesive Strips

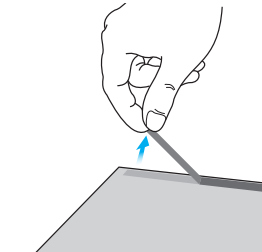
1. Clean the **Screen** and **Bezels** using the **Wiping Cloth**.
2. Select the side of the **Privacy Filter** intended to **Face Outward** (i.e. matte or glossy). Place the **Privacy Filter** on a clean and flat surface with the selected side **Facing Down**.
3. Remove all **Adhesive Strips** from the **Transparent Lining**.



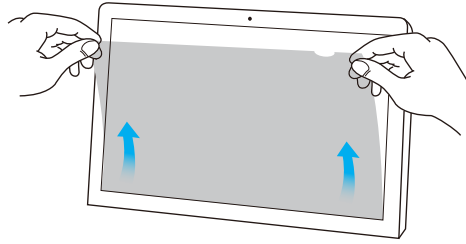
4. Carefully align the **Adhesive Strips** along the **Top, Bottom, Left, and Right** edges of the **Privacy Filter**. Apply **Firm Pressure** to attach them to the **Privacy Filter**.



5. Carefully remove the **Protective Backing** from the **Adhesive Strips**



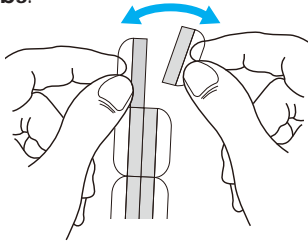
- Attach the **Privacy Filter** to the **Screen**, starting from the **Bottom** and working towards the **Top**. The **Adhesive Side** should face toward the **Screen**.



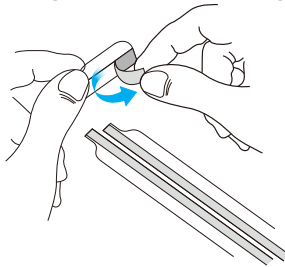
- Apply **Gentle Pressure** on the **Locations** where the **Adhesive Strips** were installed.
- Clean any fingerprints on the **Privacy Filter** using the **Wiping Cloth**.

Mounting Tabs

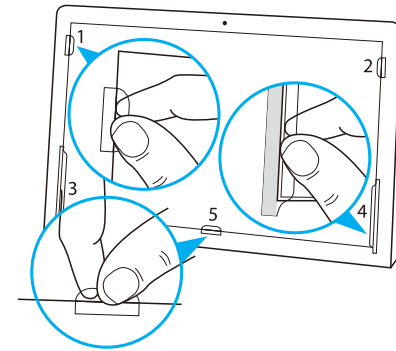
- Clean the **Screen** and **Bezels** using the **Wiping Cloth**.
- Separate the **Mounting Tabs**.



- Remove the **Protective Backing** from the **Mounting Tabs**.

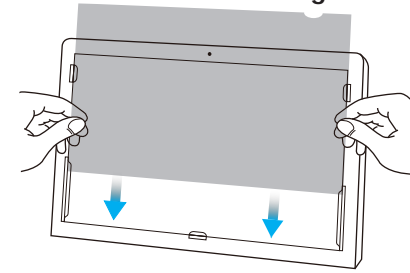


- Install **One Short** and **One Long** **Mounting Tab** on the **Left Bezel**.
- Repeat **Step 4** for the **Right Bezel**.
- Install **One Short** **Mounting Tab** on the **Bottom Bezel**.

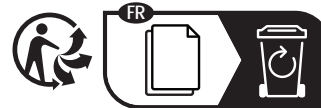


Note Depending on the display size, additional **Mounting Tabs** may need to be installed on the side or bottom bezels.

- Slide the **Privacy Filter** in-between the **Mounting Tabs** and the **Screen**.



- Clean any fingerprints on the **Privacy Filter** using the **Wiping Cloth**.



Regulatory Compliance

Use of Trademarks, Registered Trademarks, and other Protected Names and Symbols

This manual may make reference to trademarks, registered trademarks, and other protected names and/or symbols of third-party companies not related in any way to StarTech.com. Where they occur these references are for illustrative purposes only and do not represent an endorsement of a product or service by StarTech.com, or an endorsement of the product(s) to which this manual applies by the third-party company in question. StarTech.com hereby acknowledges that all trademarks, registered trademarks, service marks, and other protected names and/or symbols contained in this manual and related documents are the property of their respective holders.

Warranty Information

This product is backed by a two-year warranty.

For further information on product warranty terms and conditions, please refer to www.startech.com/warranty.

Limitation of Liability

In no event shall the liability of StarTech.com Ltd. and StarTech.com USA LLP (or their officers, directors, employees or agents) for any damages (whether direct or indirect, special, punitive, incidental, consequential, or otherwise), loss of profits, loss of business, or any pecuniary loss, arising out of or related to the use of the product exceed the actual price paid for the product. Some states do not allow the exclusion or limitation of incidental or consequential damages. If such laws apply, the limitations or exclusions contained in this statement may not apply to you.

StarTech.com Ltd.
45 Artisans Crescent
London, Ontario
N5V 5E9
Canada

StarTech.com LLP
4490 South Hamilton
Road
Groveport, Ohio
43125
U.S.A.

StarTech.com Ltd.
Unit B, Pinnacle 15
Gowerton Road
Brackmills,
Northampton
NN4 7BW
United Kingdom

StarTech.com Ltd.
Siriusdreef 17-27
2132 WT Hoofddorp
The Netherlands

FR: startech.com/fr
DE: startech.com/de
ES: startech.com/es
NL: startech.com/nl
IT: startech.com/it
JP: startech.com/jp