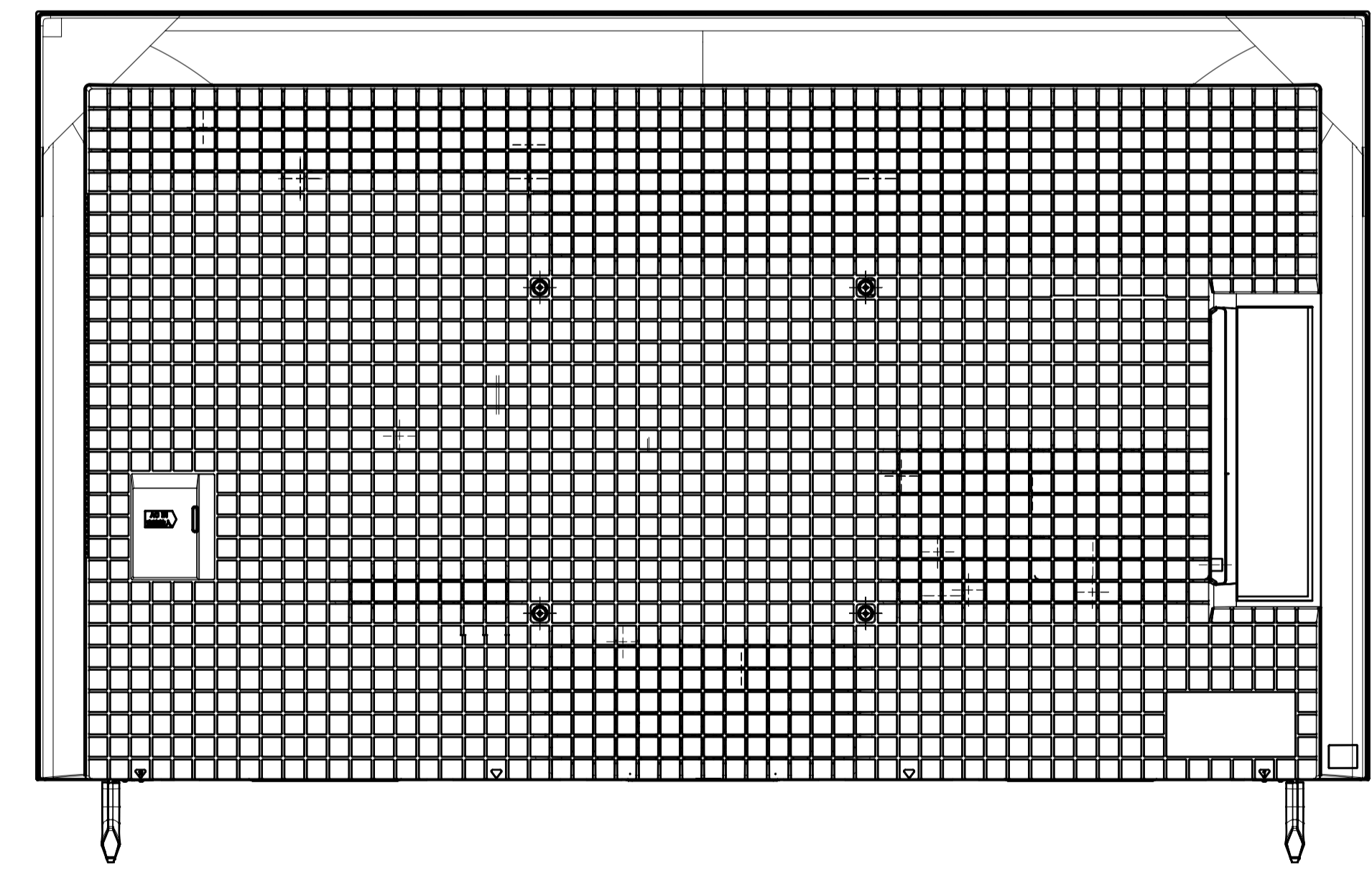
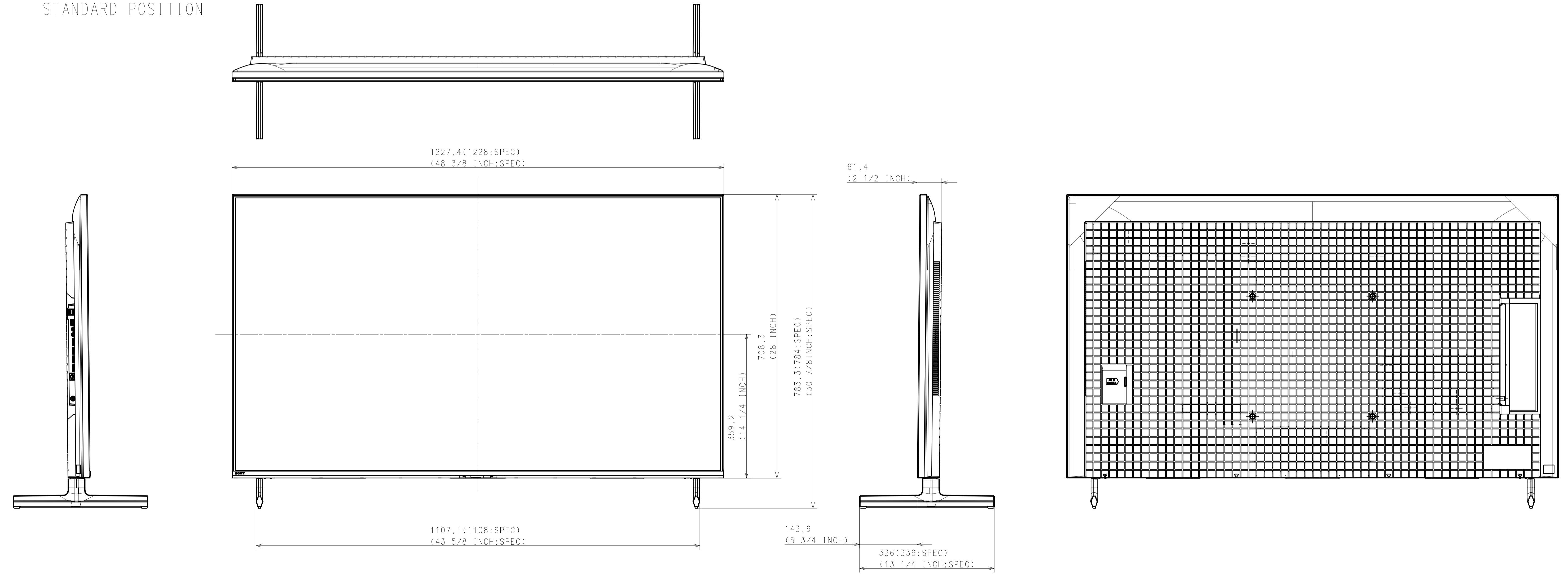


Area	JAPAN	EUROPE	GENERAL AREA	CHINA
Model Name	KJ-55X85L	KD-55X85L	KD-55X85L	KD-55X85L
SV No.	SV-41546	SV-41535	SV-41447	SV-41503
DIMENSION	TV only (W x H x D)	122.8 x 70.9 x 5.6 (4.00) cm	Approx. 122.8 x 70.9 x 5.6 (4.00) cm	Approx. 122.8 x 70.9 x 5.6 (40) mm
	TV only with camera (W x H x D)	-	-	-
	TV with Stand (Standard position) (W x H x D)	122.8 x 78.4 x 33.6 cm	Approx. 122.8 x 78.4 x 33.6 cm	Approx. 122.8 x 784 x 336 mm
	TV with Stand (Narrow position) (W x H x D)	-	Approx. 122.8 x 78.4 x 33.6 cm	-
	TV with Stand (Soundbar position) (W x H x D)	-	-	-
	TV with Stand (Front position style) (W x H x D)	-	-	-
	TV with Stand (Back position style) (W x H x D)	-	-	-
	TV with Floor Stand (W x H x D)	-	-	-
	Stand Width (Standard position)	110.8 cm	Approx. 110.8 cm	Approx. 1108 mm
	Stand Width (Narrow position)	-	Approx. 44.5 cm	-
	Stand Width (Soundbar position)	-	-	-
	Stand Width (Front position style)	-	-	-
	Stand Width (Back position style)	-	-	-
	Floor Stand Width	-	-	-
	VESA Hole Pitch	30.0 x 30.0 cm	30.0 x 30.0 cm	300 x 300 mm
WEIGHT	TV Only	16.3 kg	Approx. 16.3 kg	Approx. 16.3 kg
	TV with Stand (Standard position)	17.4 kg	Approx. 17.4 kg	Approx. 17.4 kg
	TV with Stand (Narrow position)	-	Approx. 17.4 kg	-
	TV with Stand (Soundbar position)	-	-	-
	TV with Stand (Front/Back position style)	-	-	-
	TV with Floor Stand	-	-	-
	Floor Stand weight (Supply)	-	-	-
	W-M't Br. Weight (Supply)	-	-	-
Remarks		1 way	2 ways	1 way

WITH STAND

STANDARD POSITION

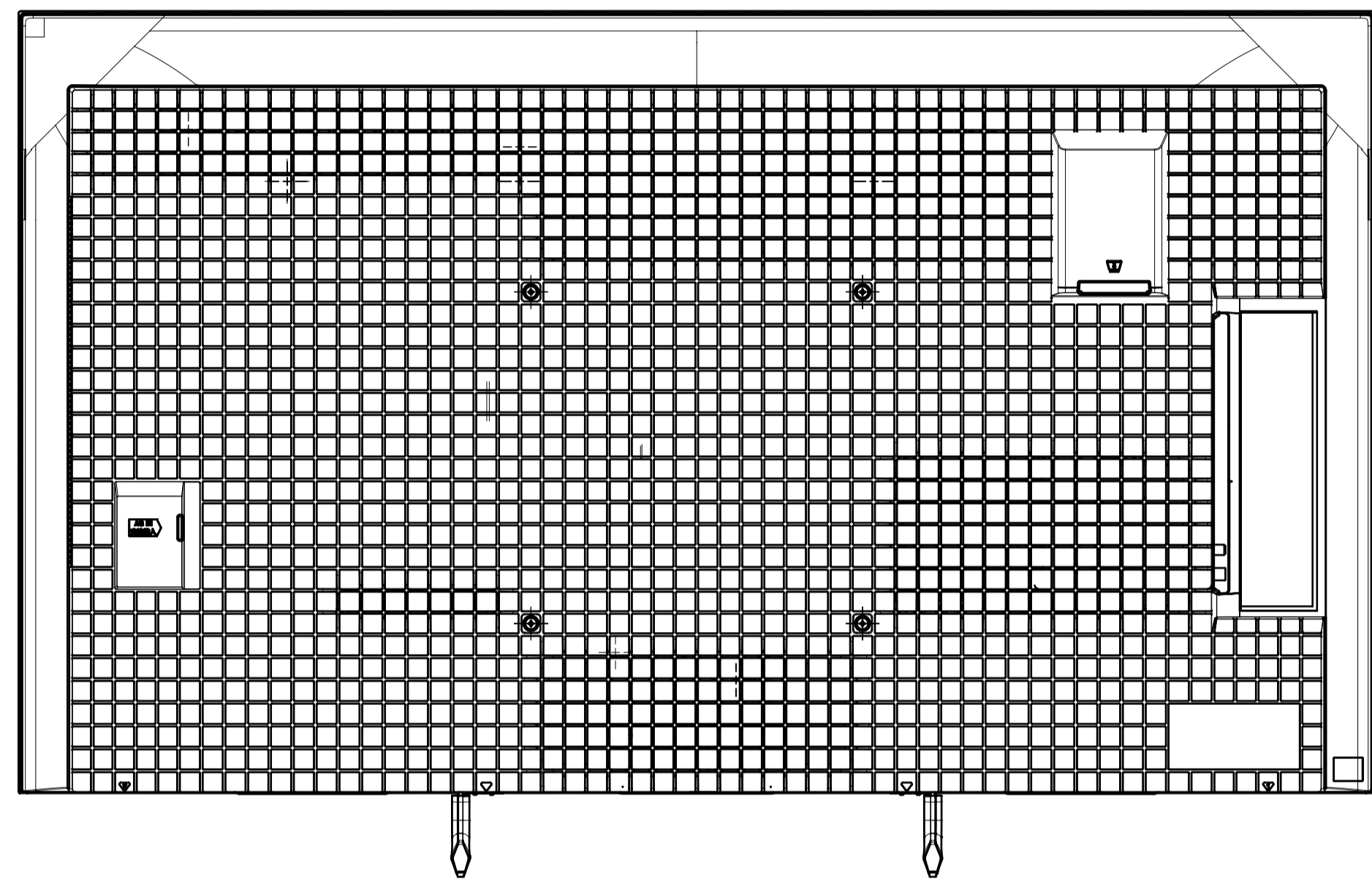
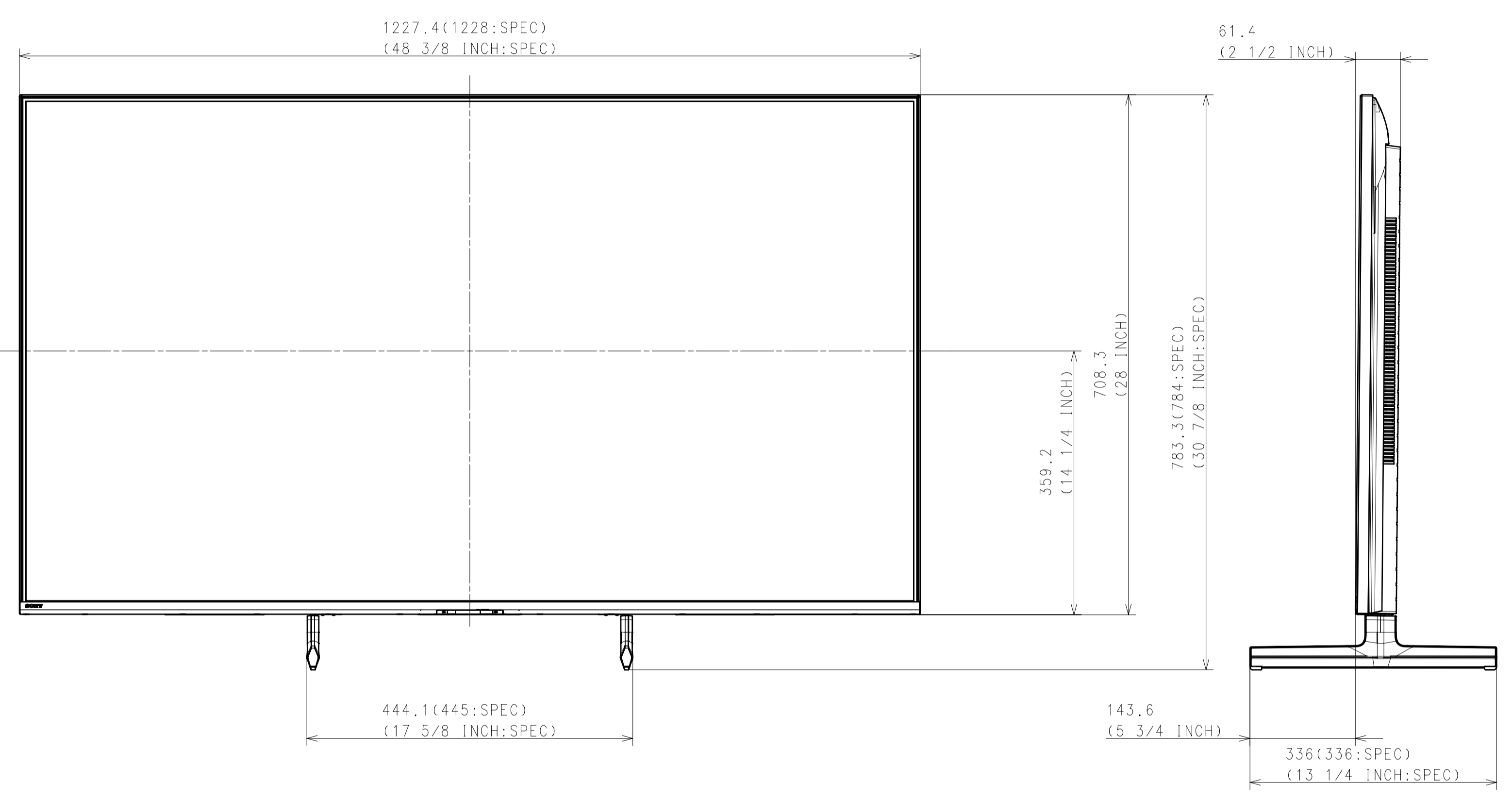
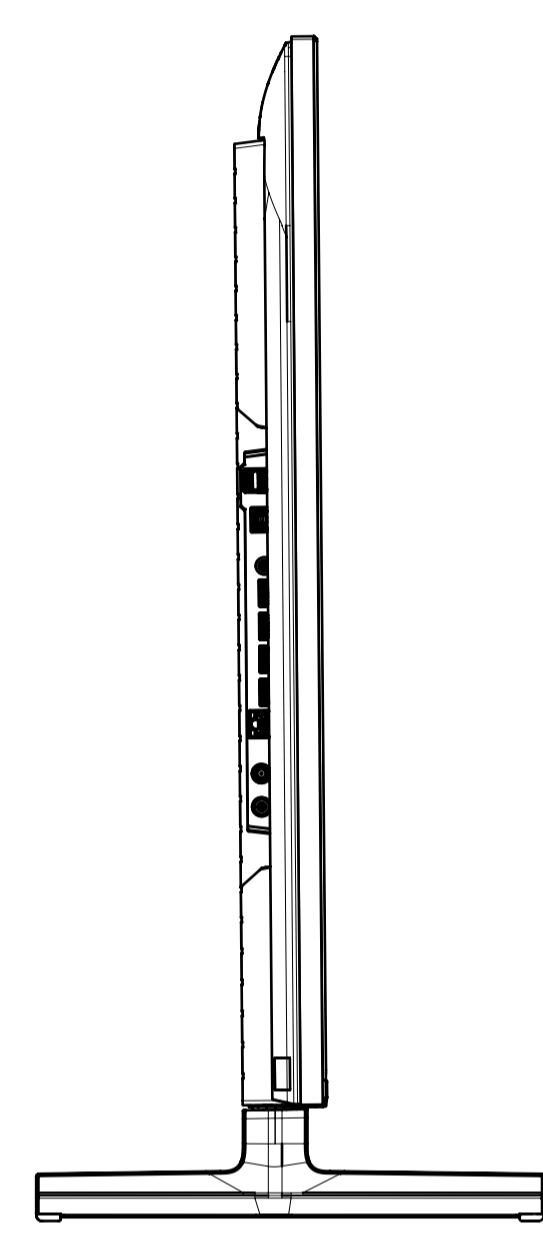
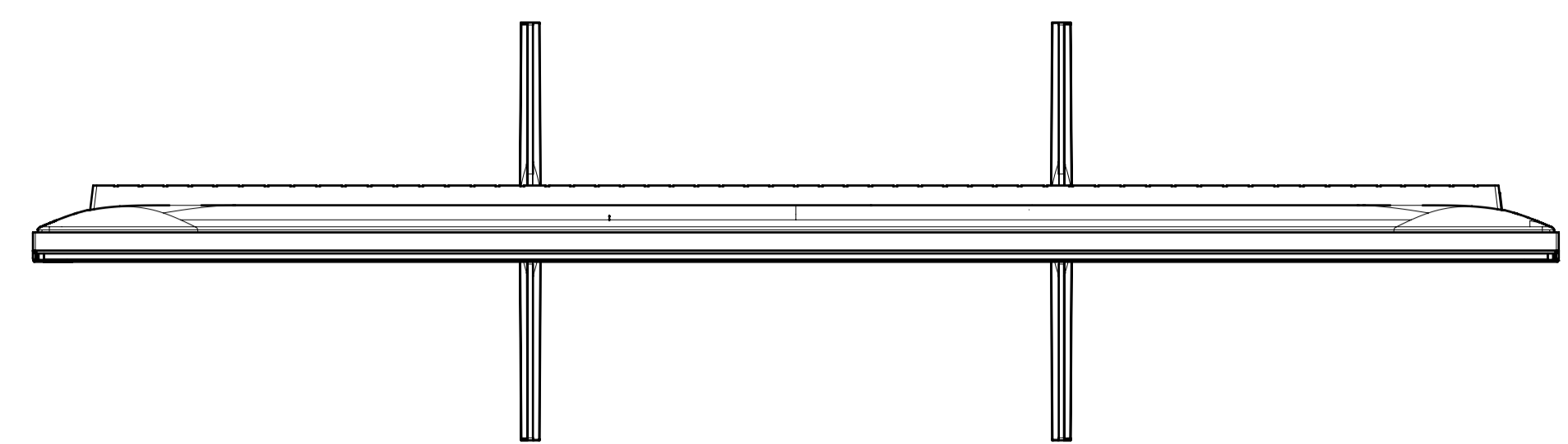


Purchase recycled resins and wire rods only from the business partners that Sony approves as Green Partners.
 再生樹脂・鋼線鋼材はグリーンパートナー 認定製品から調達すること。

△A	△B	△C	△D	△E	△F	△G	△H	△I	△J	△K	△L		
HISTORY & COUNT										GENERAL TOLERANCE		DATE OF ISSUE	
LEGAL OWNER										MATERIAL COLOR		FINISH COLOR	
RESPONSIBLE DEPARTMENT										ORIGINAL MODEL		DESCRIPTION	
Panel & Mechanical Design										55(X85L)		EXTERIOR VIEW	
PLANNED BY										CHECKED BY		APPROVED BY	
2022.12.15										2022.12.15		2022.12.15	
DRAWN BY										SCALE		TENTATIVE MODEL	
2022.12.15										1:5		55(X85L) EXTERIOR VIEW	
LEGAL OWNER										SIZE		UNIT	
Sony Corporation										A1		mm	
RESPONSIBLE DEPARTMENT										PART NO.		SUFFIX	
Panel & Mechanical Design										REV. NO.		SHEET/PAGES	
2022.12.15										1/5		1/5	

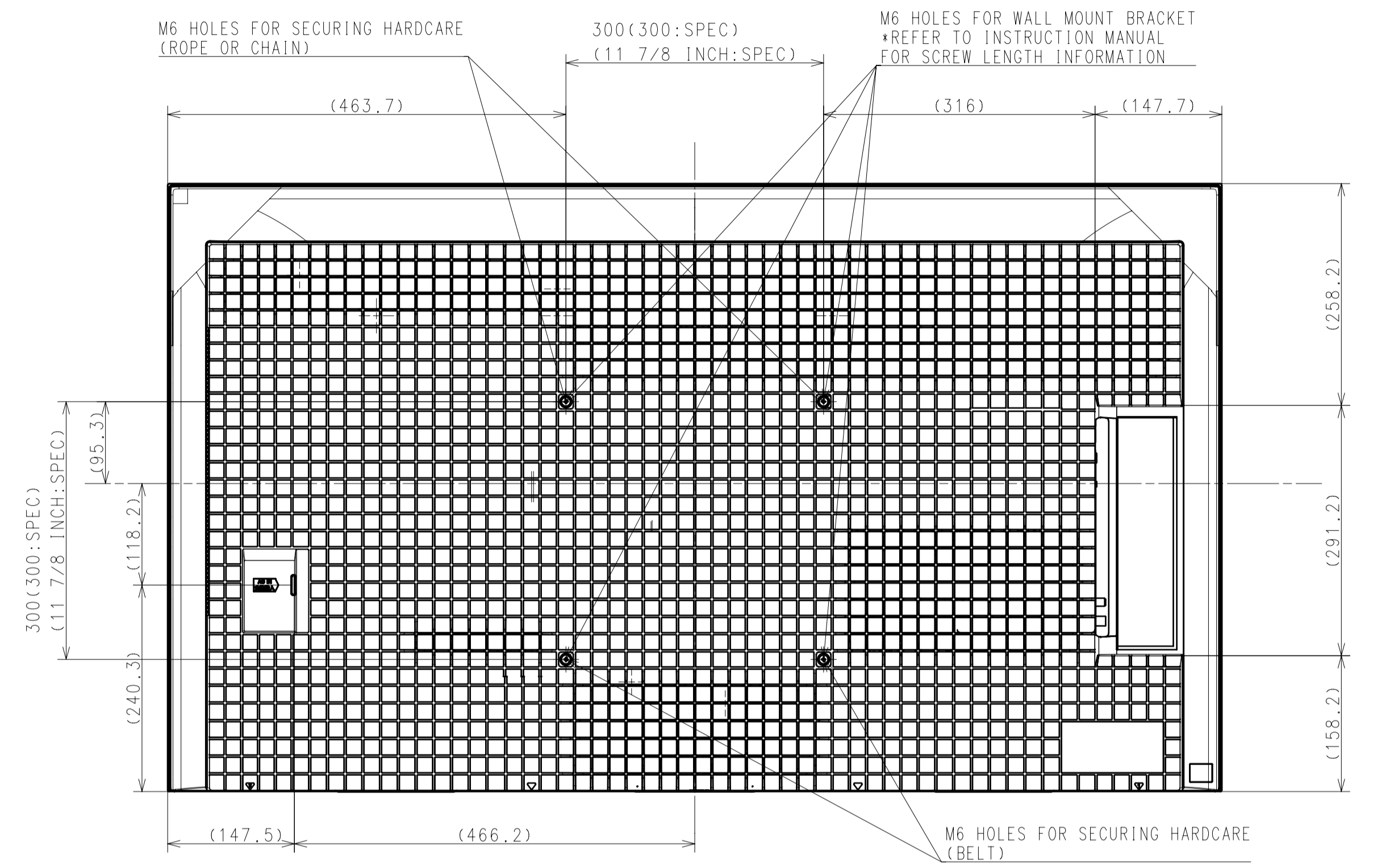
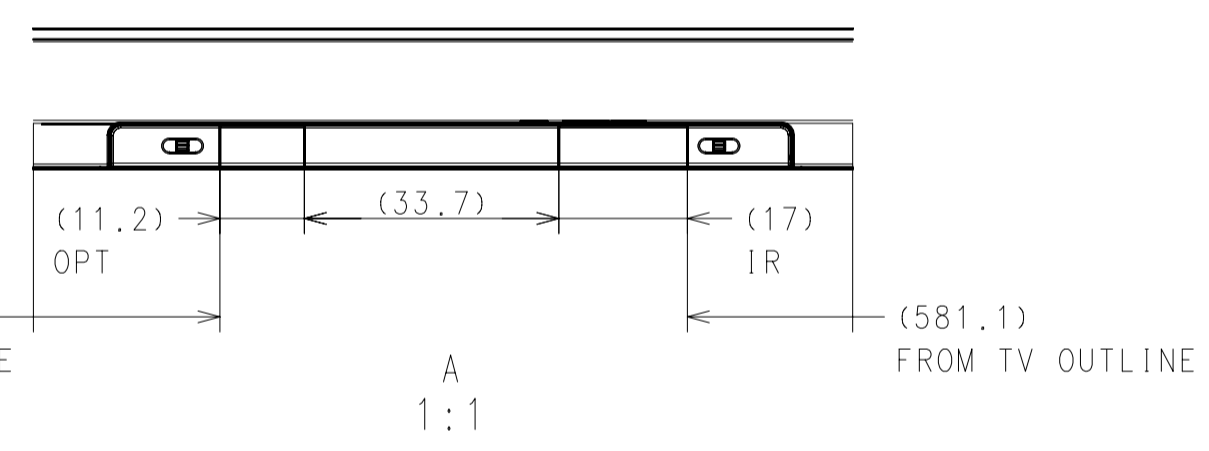
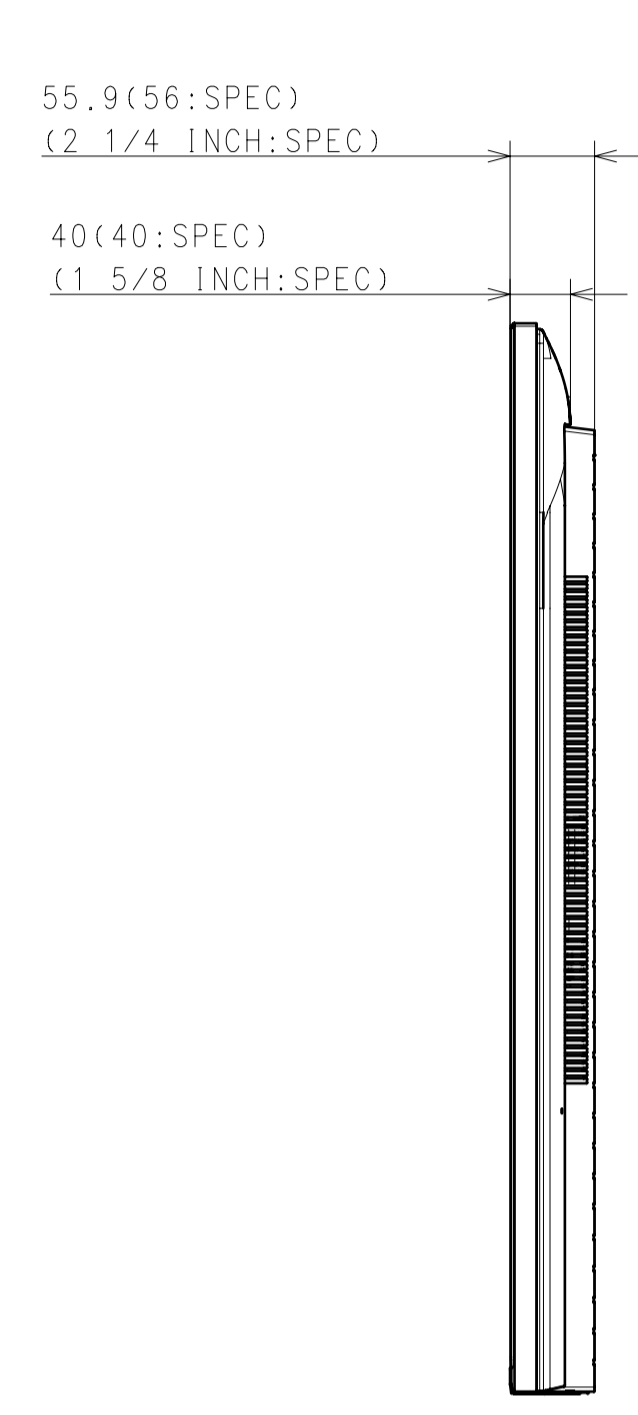
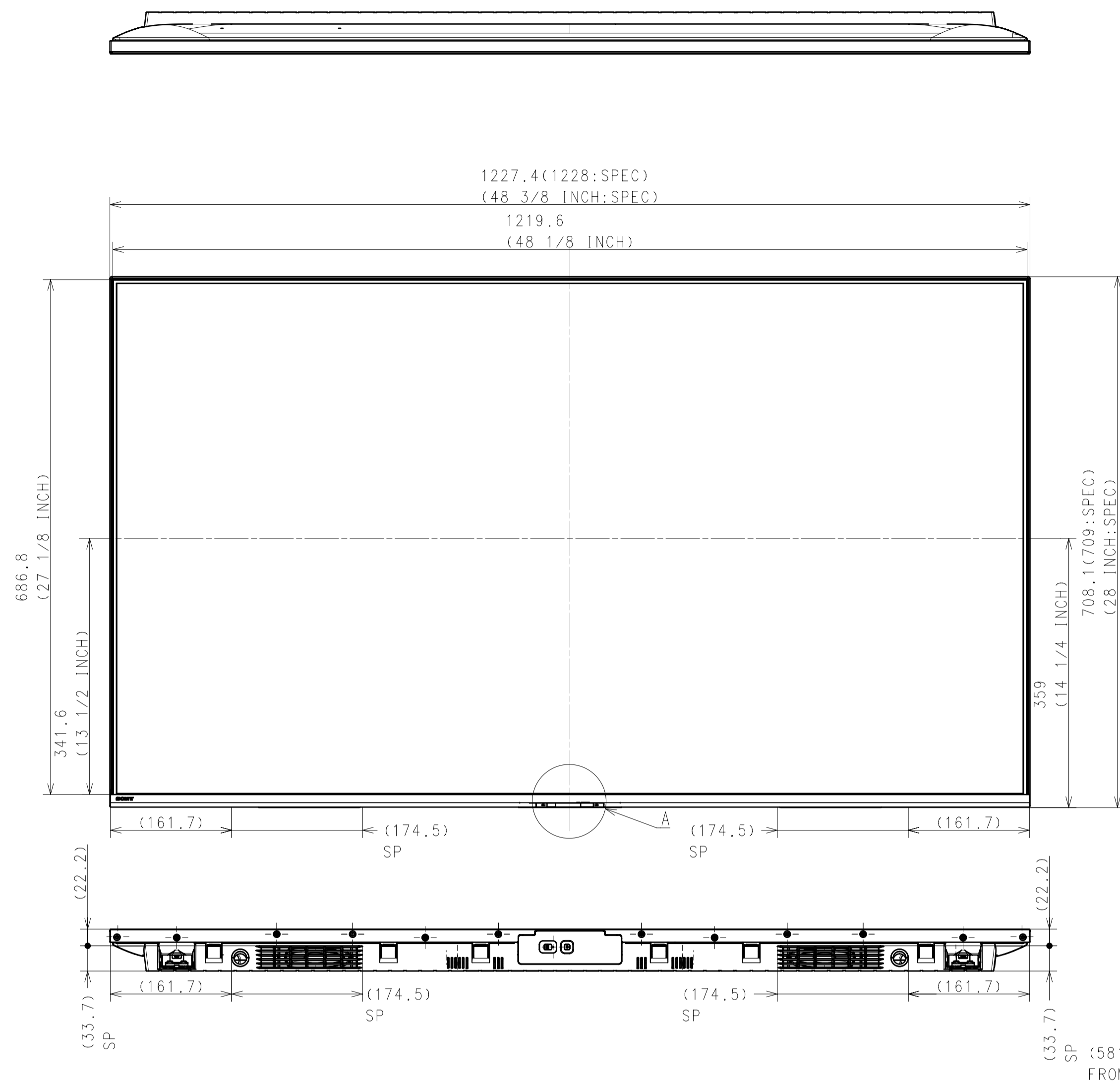
WITH STAND

NARROW POSITION

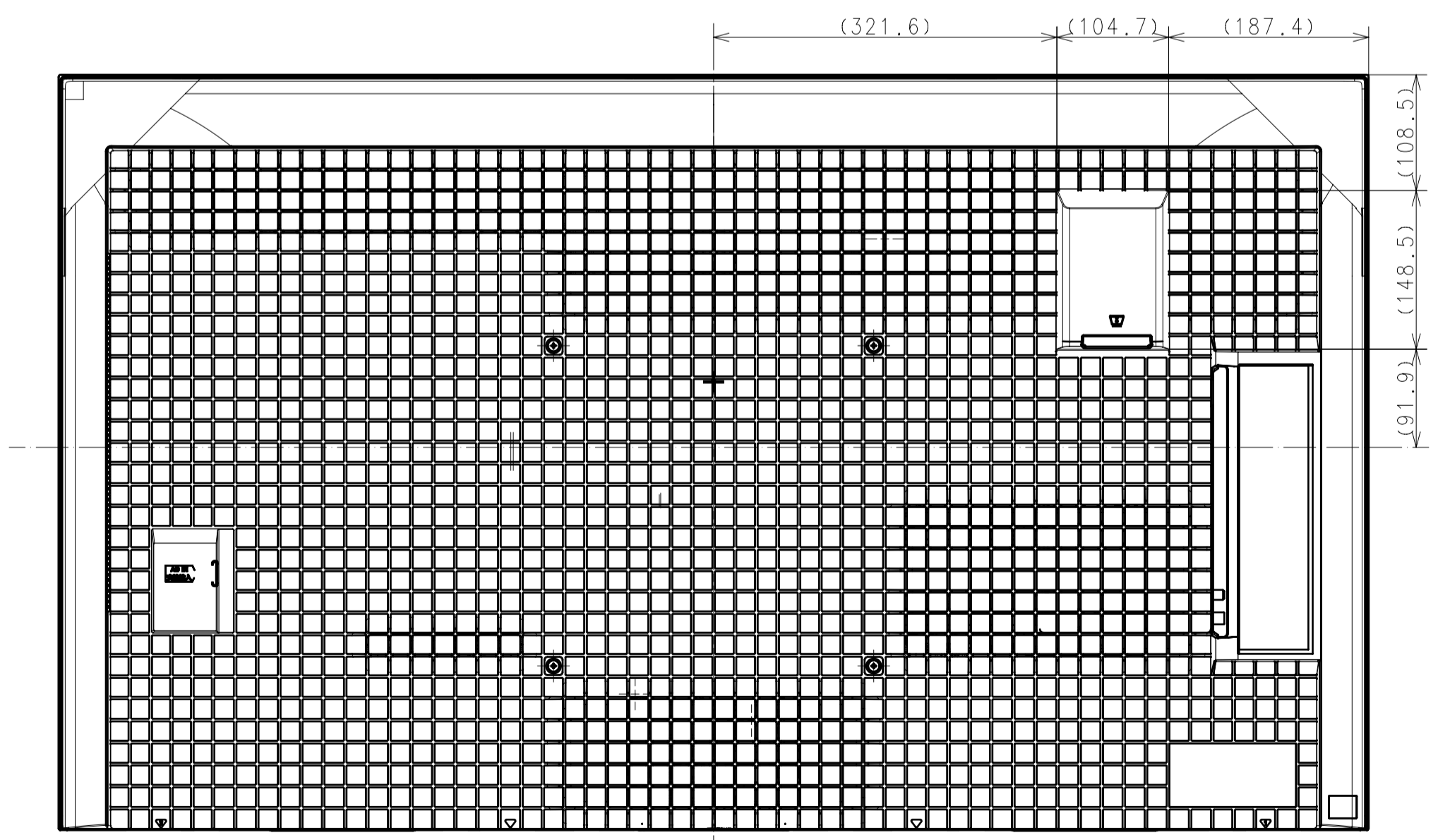


DESCRIPTION 1	LEGAL OWNER	SCALE
55(X85L) EXTERIOR VIEW	Sony Corporation	1:1
DESCRIPTION 2	PART NO.	SHEET/PAGES
55(X85L) EXTERIOR VIEW		2 / 5

WITHOUT STAND



FOR GENERAL AREA/CHINA



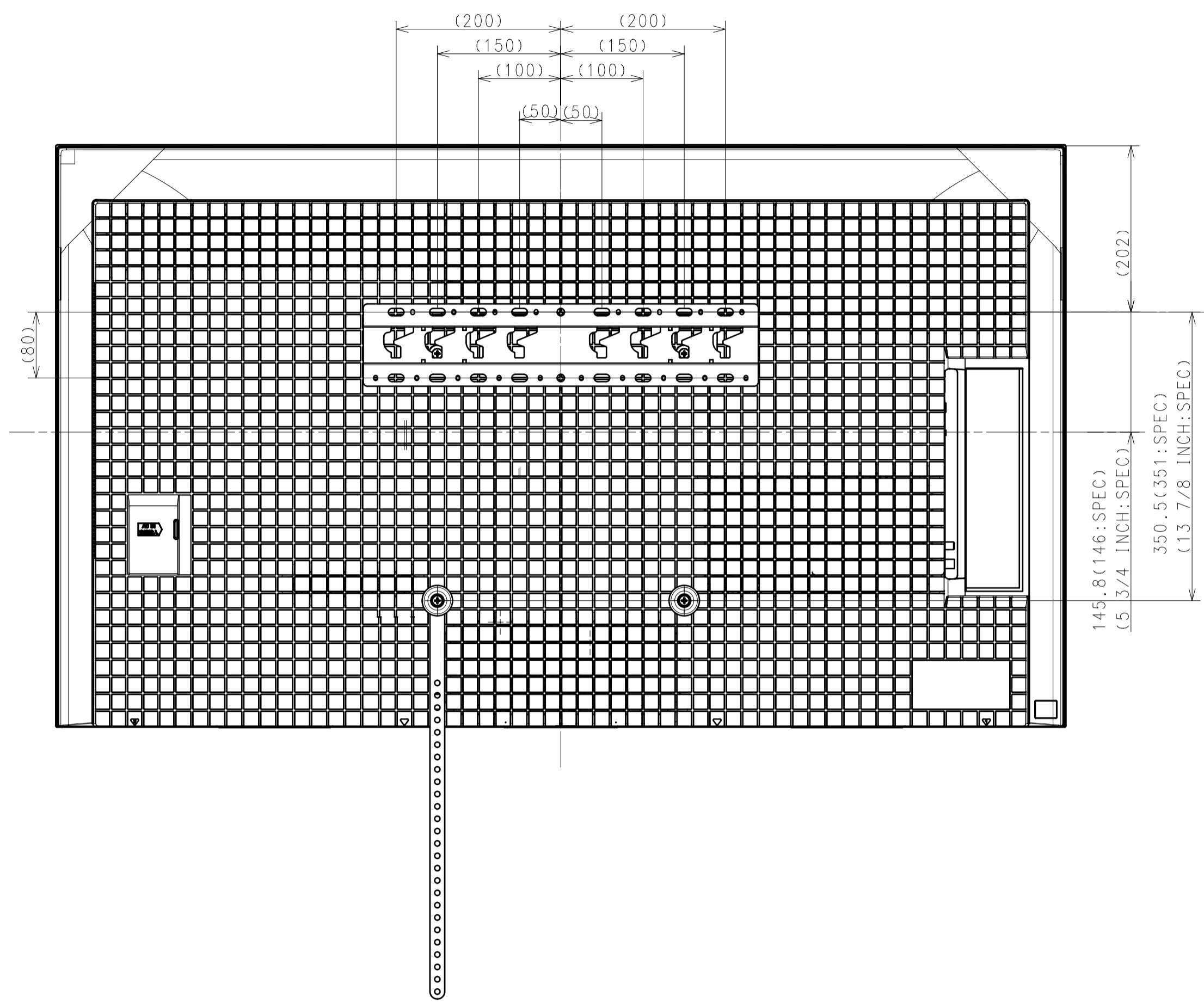
FOR EUROPE

DESCRIPTION 1	LEGAL OWNER	SCALE
55(X85L) EXTERIOR VIEW	Sony Corporation	1:1
DESCRIPTION 2	PART NO.	SHEET/PAGES
55(X85L) EXTERIOR VIEW		3 / 5

SU-WL450

STANDARD

SLIM

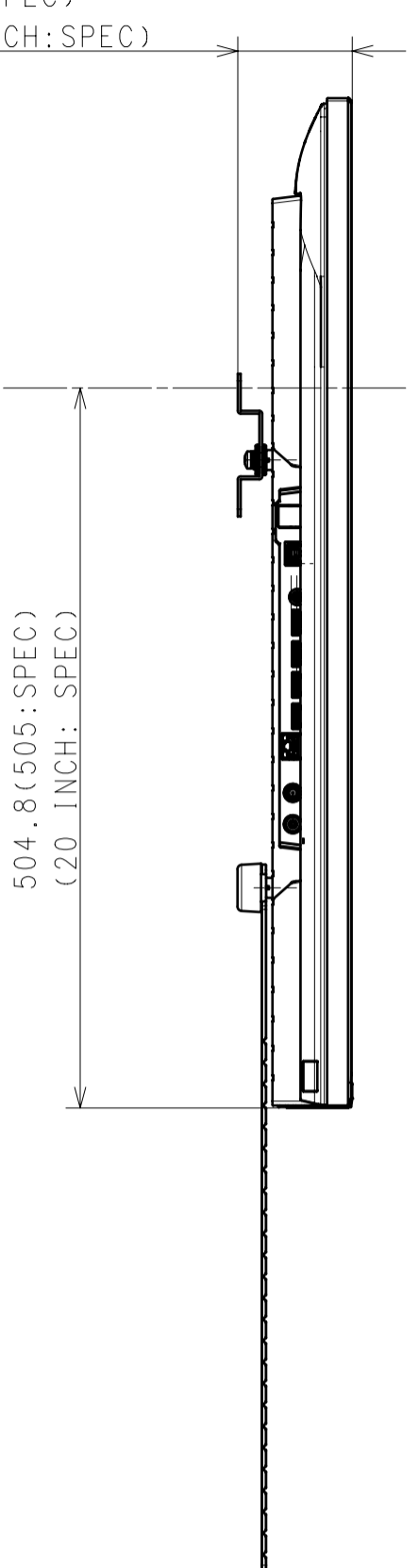
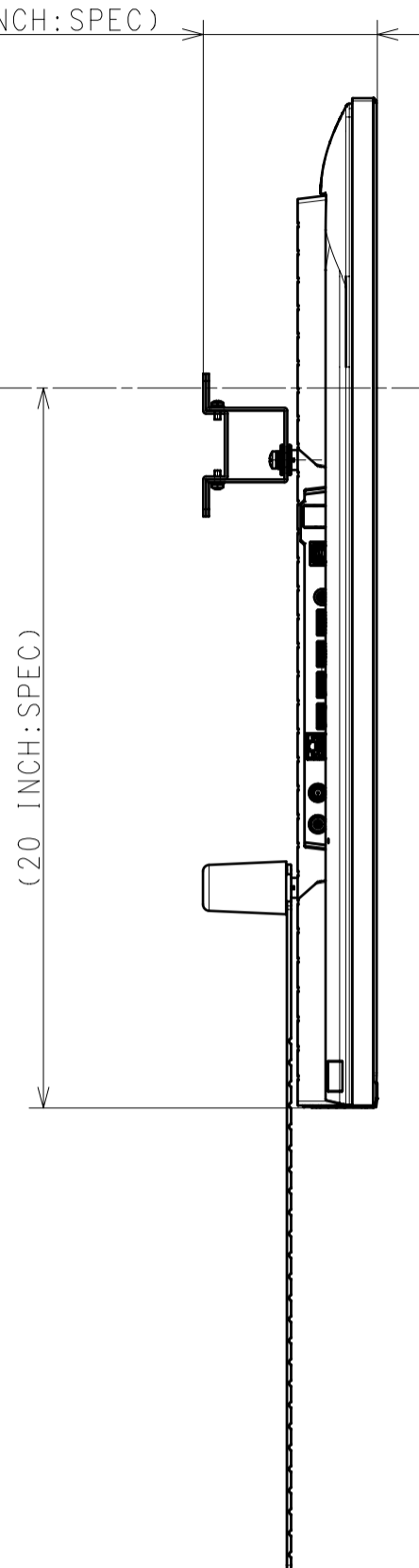


122 (122:SPEC)
(4 7/8 INCH:SPEC)

80.2 (81:SPEC)
(3 1/4 INCH:SPEC)

504.8 (505:SPEC)
(20 INCH:SPEC)

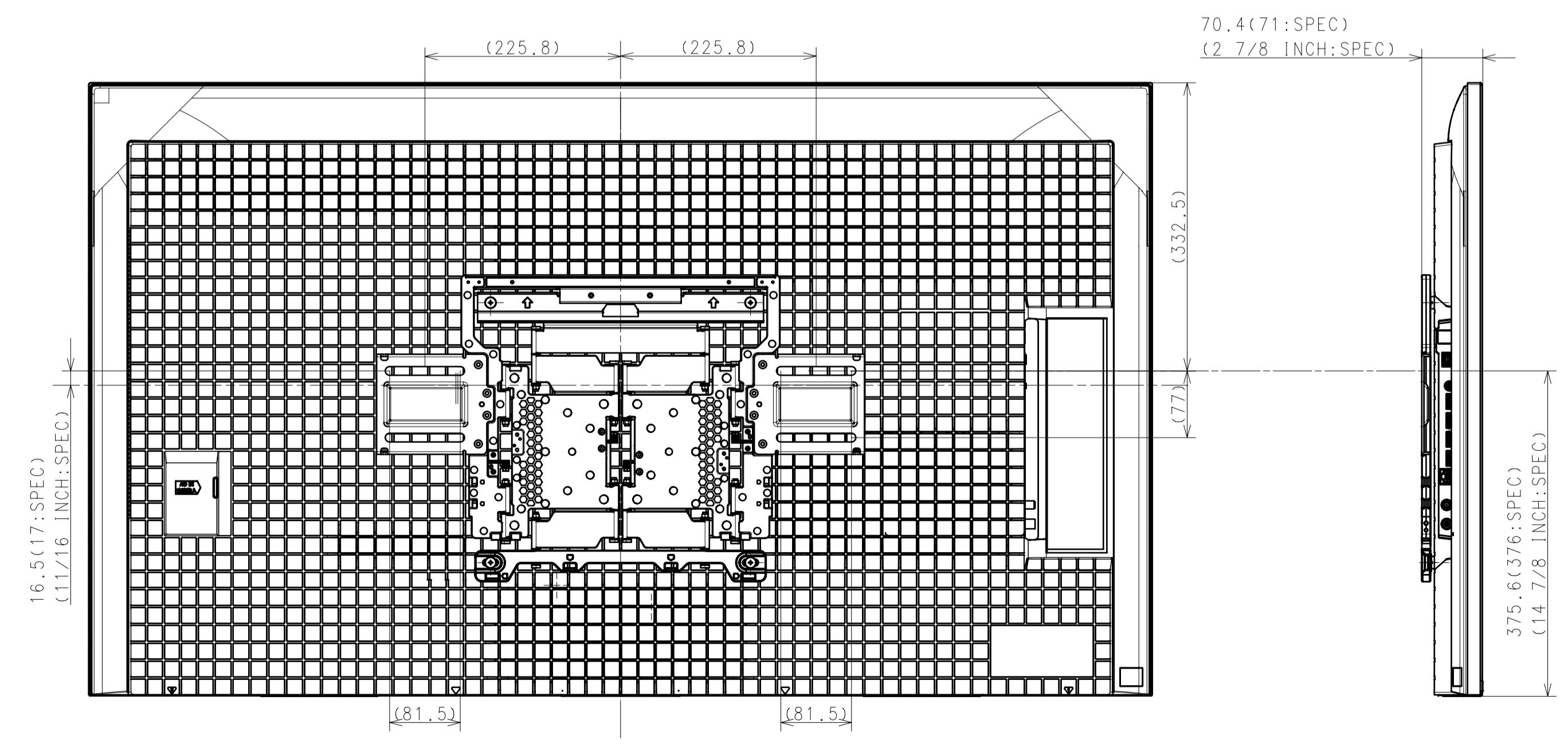
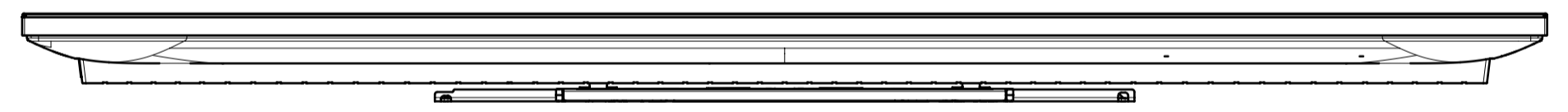
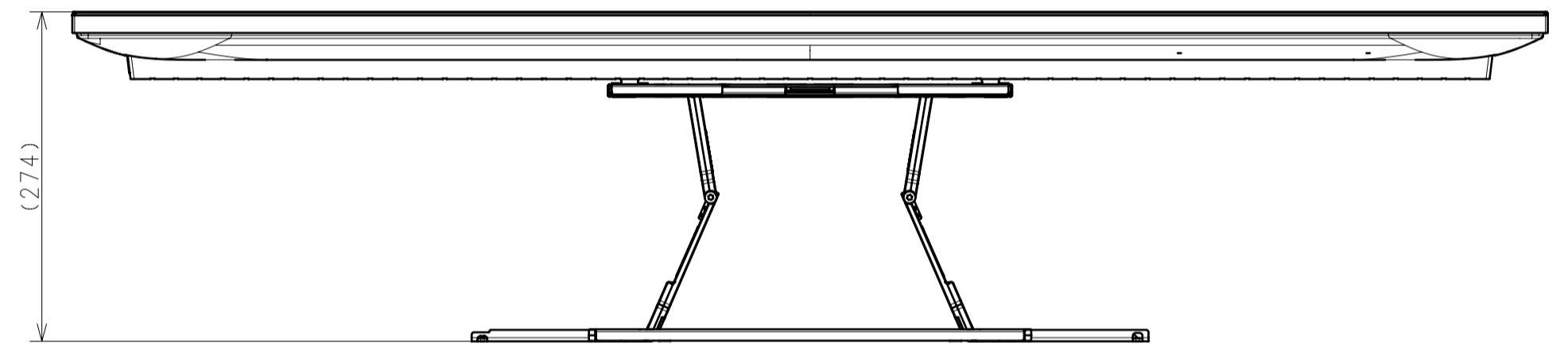
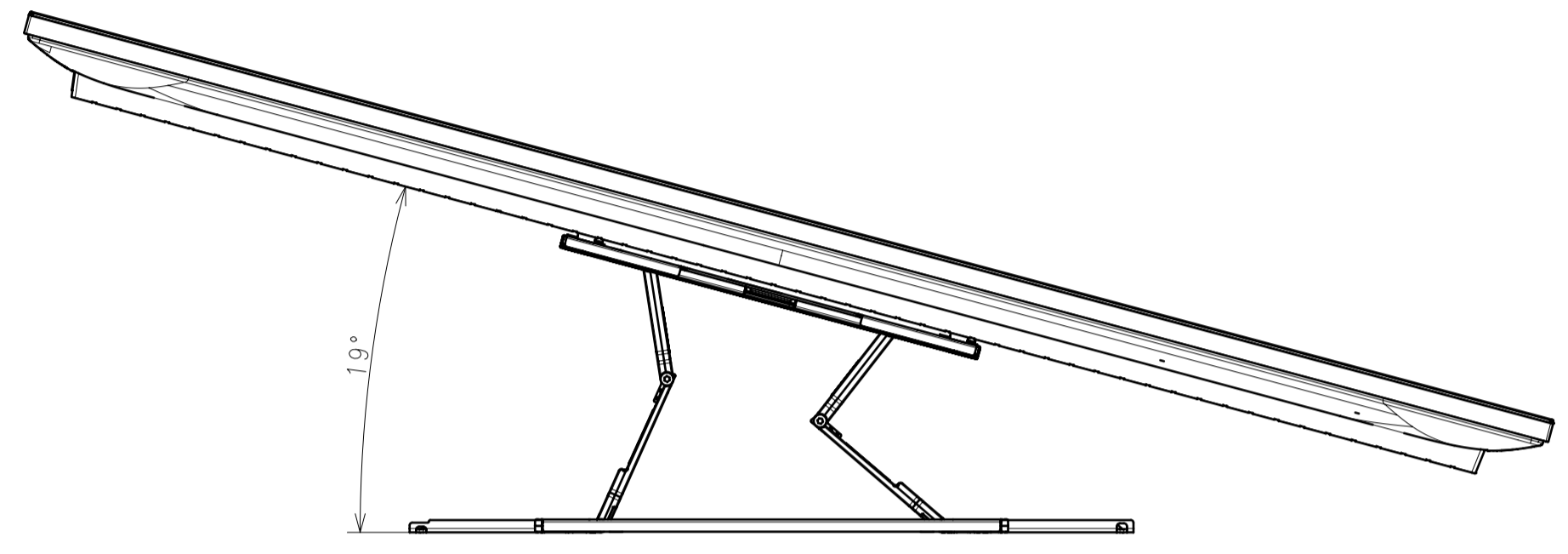
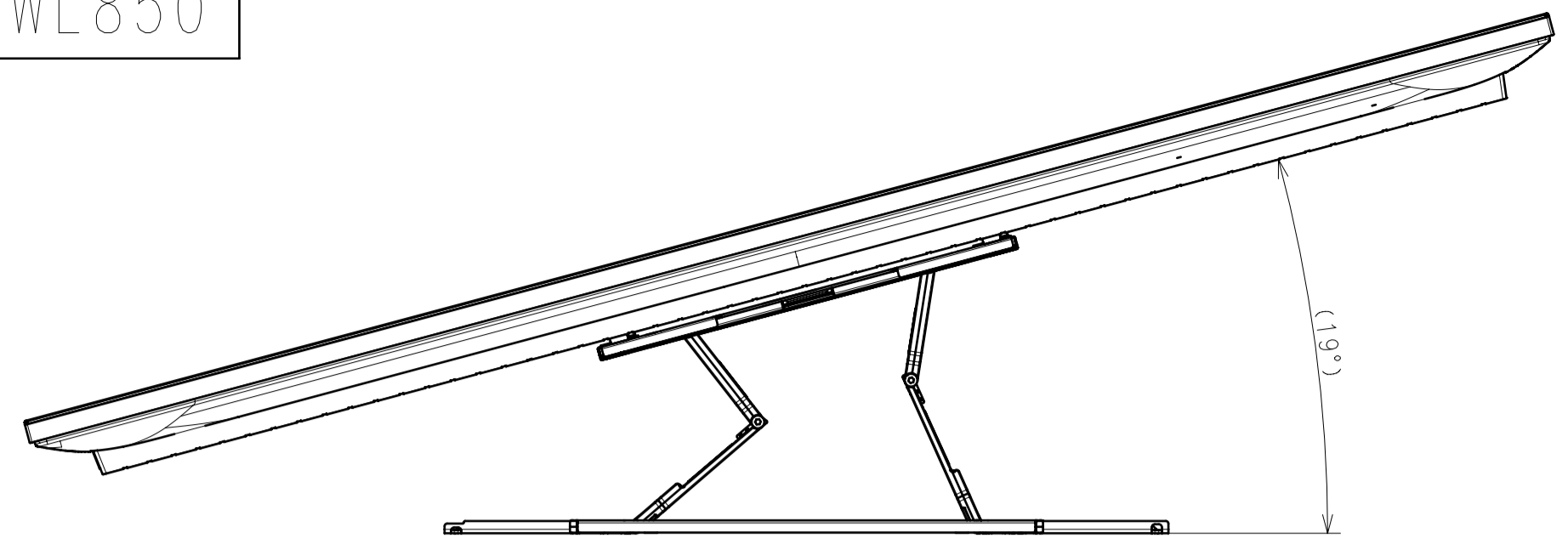
504.8 (505:SPEC)
(20 INCH:SPEC)



SONY STANDARD
DRAWING

DESCRIPTION 1	LEGAL OWNER	SCALE
55(X85L) EXTERIOR VIEW	Sony Corporation	1:1
DESCRIPTION 2	PART NO.	SHEET/PAGES
55(X85L) EXTERIOR VIEW		4 / 5

SU-WL850



DESCRIPTION 1	LEGAL OWNER	SCALE
55(X85L) EXTERIOR VIEW	Sony Corporation	1:1
DESCRIPTION 2	PART NO.	SHEET/PAGES
55(X85L) EXTERIOR VIEW		5 / 5