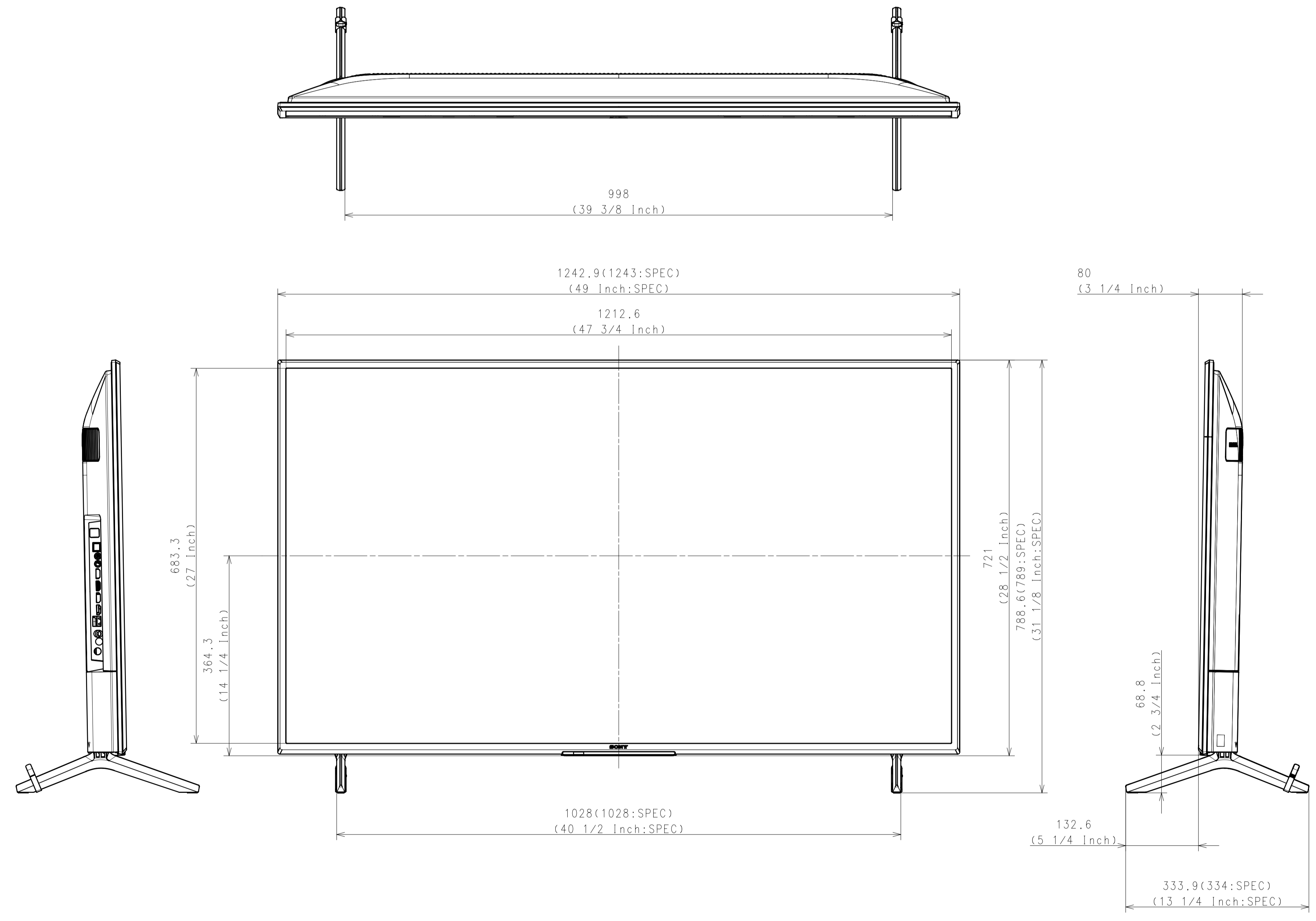
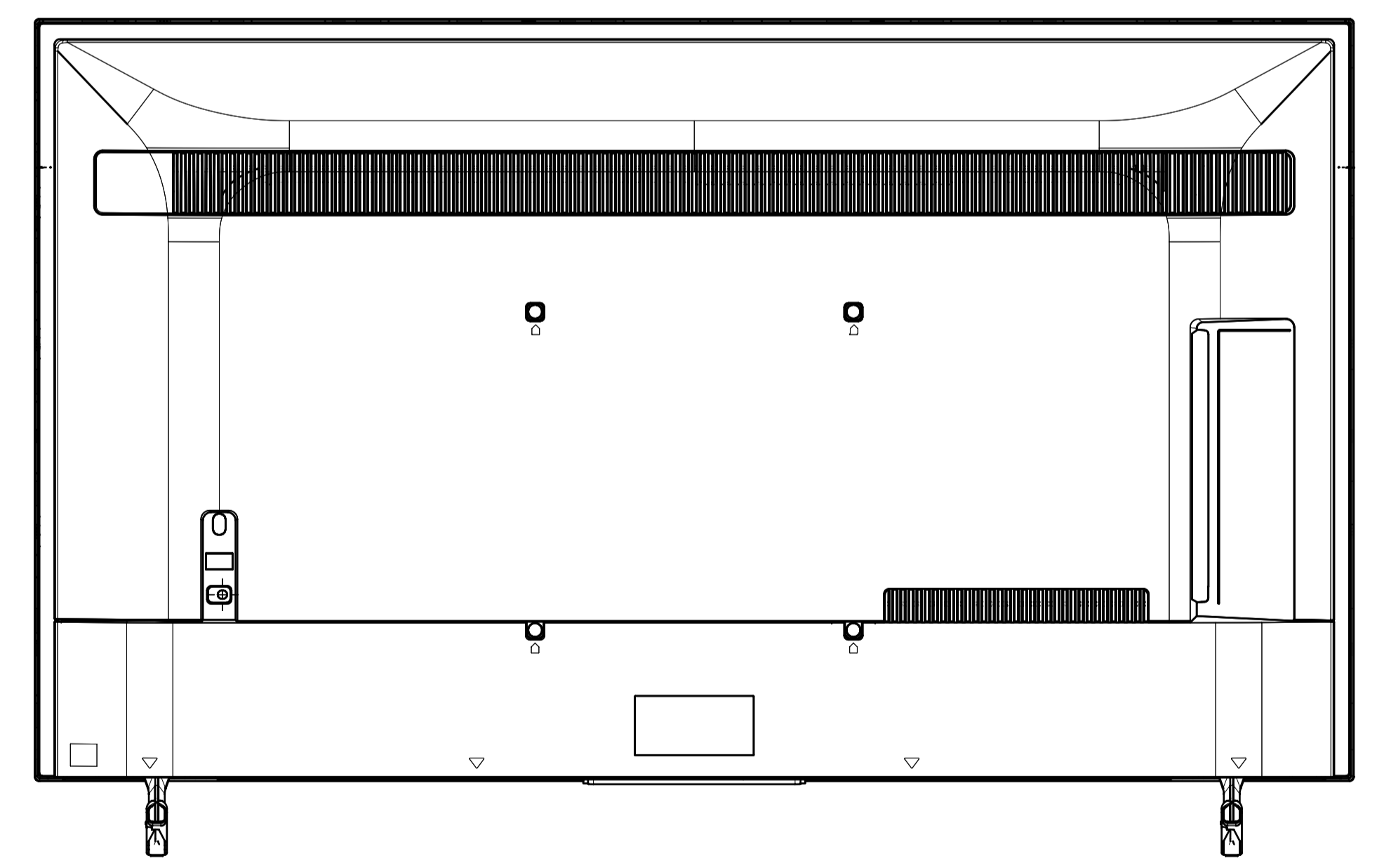


WITH STAND
STANDARD POSITION



Area	JAPAN	EUROPE	GENERAL AREA	
Model Name	KJ-55X75WL	KD-55X75WL	KD-55X75WL	
SV No.	SV-41564	SV-41530	SV-41727	
DIMENSION	TV only (W x H x D)	124.3 x 72.1 x 7.1 cm	Approx. 124.3 x 72.1 x 7.1 cm	Approx. 124.3 x 72.1 x 7.1 mm
	TV only with camera (W x H x D)	-	-	-
	TV with Stand (Standard position) (W x H x D)	124.3 x 78.9 x 33.4 cm	Approx. 124.3 x 78.9 x 33.4 cm	Approx. 124.3 x 78.9 x 33.4 mm
	TV with Stand (Narrow position) (W x H x D)	-	Approx. 124.3 x 78.9 x 33.4 cm	-
	TV with Stand (Soundbar position) (W x H x D)	-	-	-
	TV with Stand (Front position style) (W x H x D)	-	-	-
	TV with Stand (Back position style) (W x H x D)	-	-	-
	TV with Floor Stand (W x H x D)	-	-	-
	Stand Width (Standard position)	102.8 cm	Approx. 102.8 cm	Approx. 1028 mm
	Stand Width (Narrow position)	-	-	-
WEIGHT	TV Only	15.3 kg	Approx. 15.3 kg	Approx. 15.3 kg
	TV with Stand (Standard position)	15.6 kg	Approx. 15.6 kg	Approx. 15.6 kg
	TV with Stand (Narrow position)	-	Approx. 15.6 kg	-
	TV with Stand (Soundbar position)	-	-	-
	TV with Stand (Front/Back position style)	-	-	-
	TV with Floor Stand	-	-	-
	Floor Stand weight (Supply)	-	-	-
	W-M't Br. Weight (Supply)	-	-	-
Remarks		2way		



Purchase recycled resins and wire rods only from the business partners that Sony approves as Green Partners.
再生樹脂・銅線はグリーンパートナー認定受入先から調達すること。

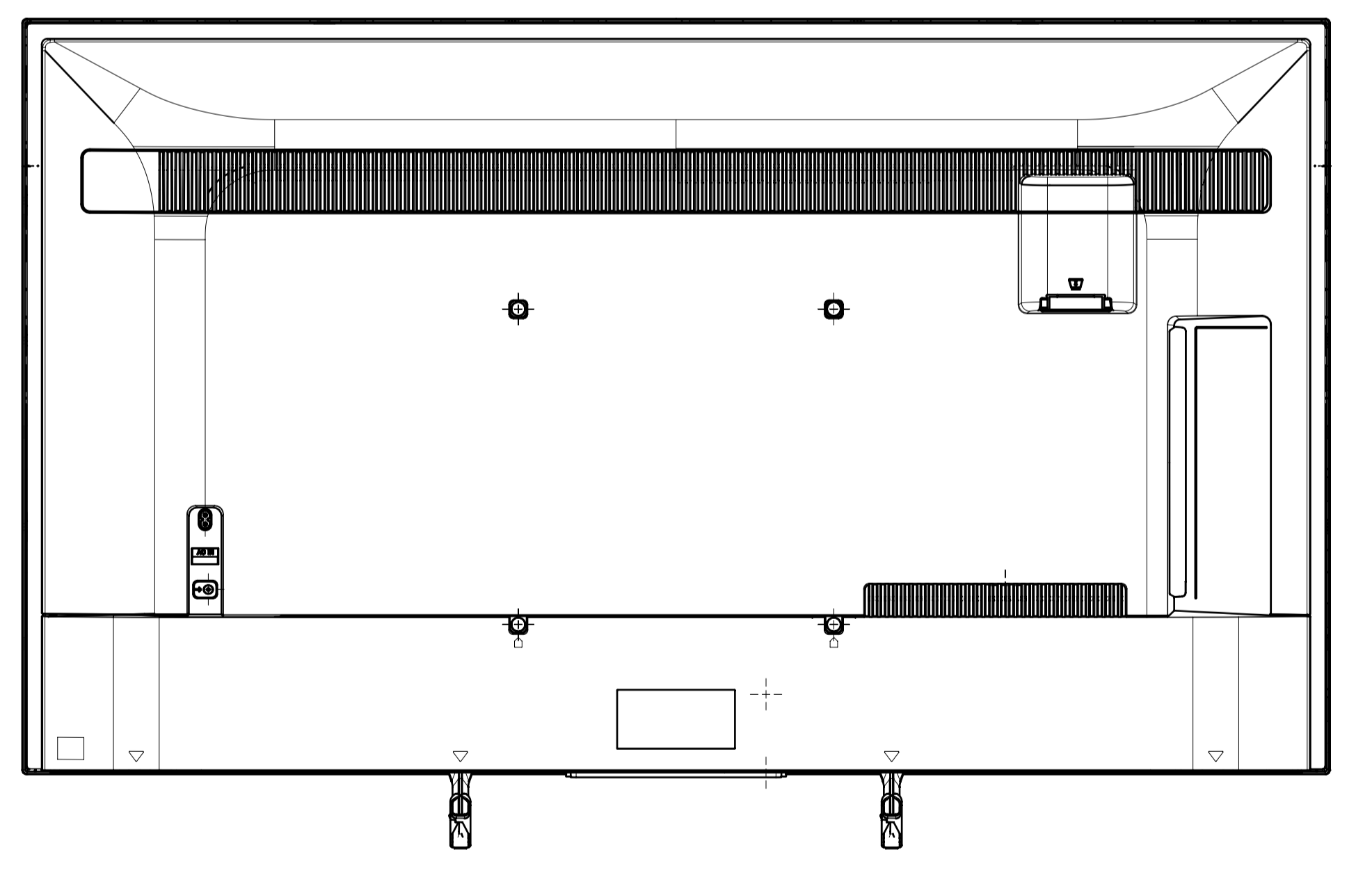
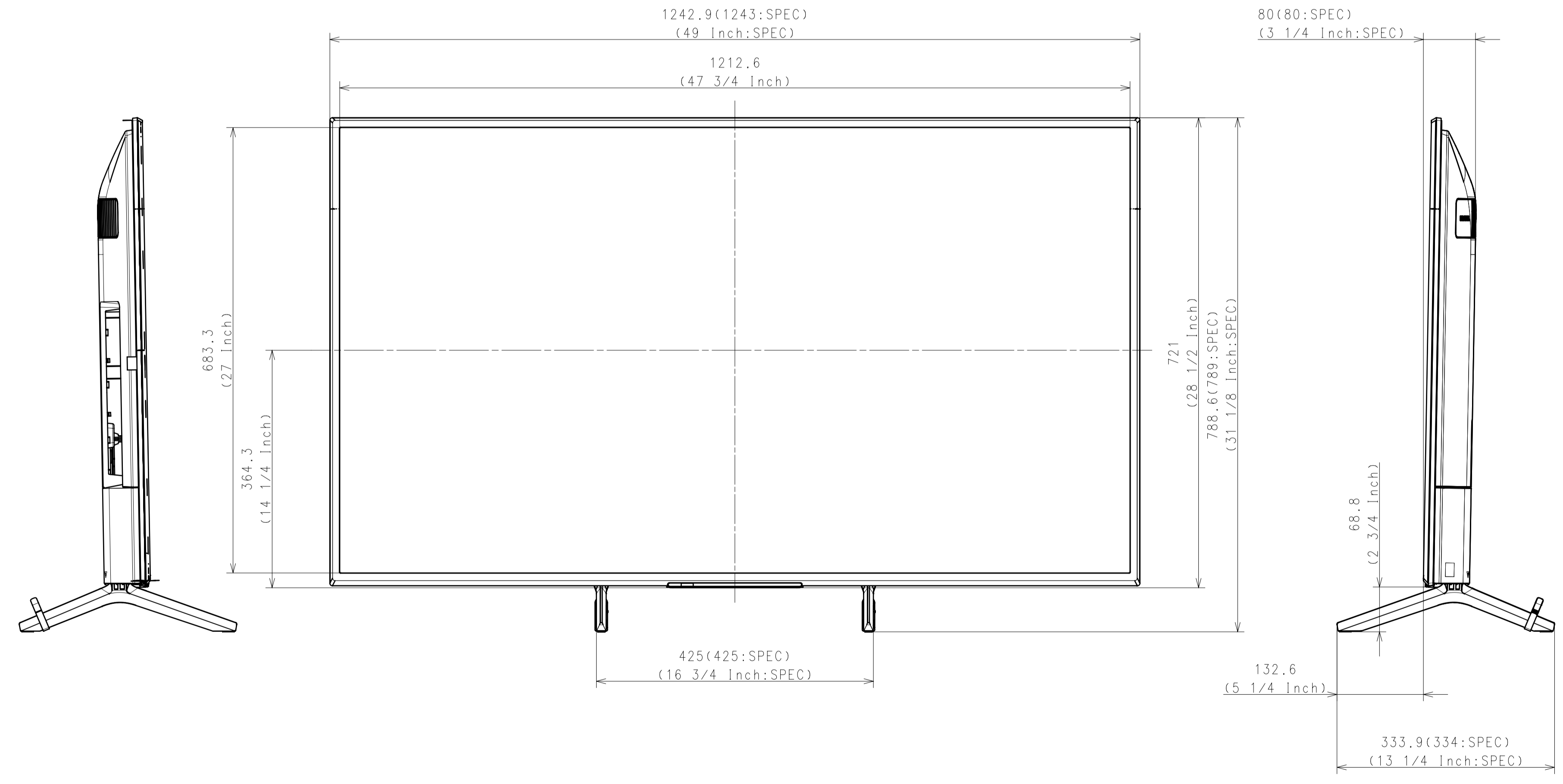
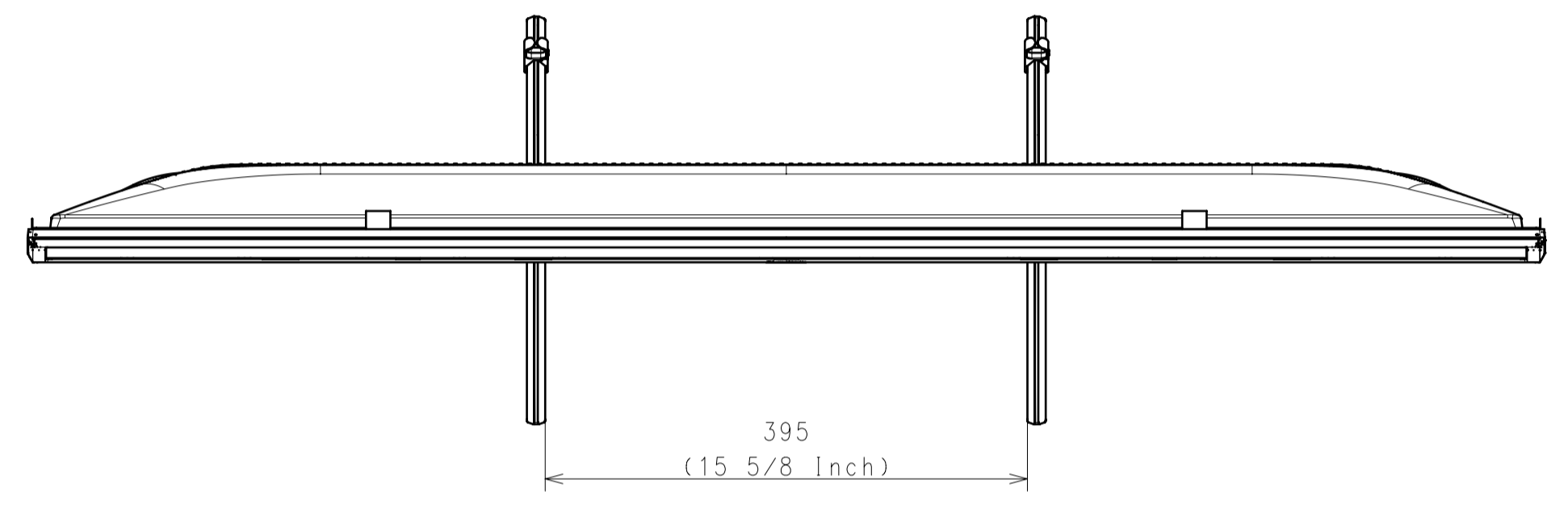
DATE	ISSUE	DESCRIPTION
2022.12.20	ASSEMBLY DRAWING	55(X75WL) EXTERIOR VIEW
2022.05.09	ASSEMBLY DRAWING	55(X75WL) EXTERIOR VIEW

HISTORY	DIFFICULTY	RELEASE NO.	DATE	REVISION	SIZE	MATERIAL(COLOR)	FINISH(COLOR)

RESPONSIBLE DEPARTMENT	DESIGNED BY	CHECKED BY	APPROVED BY	SCALE	TENTATIVE MODEL	DESCRIPTION
PANEL & MECHANICAL DESIGN	HIZAWAN			1:5	55(X75WL) EXTERIOR VIEW	55(X75WL) EXTERIOR VIEW

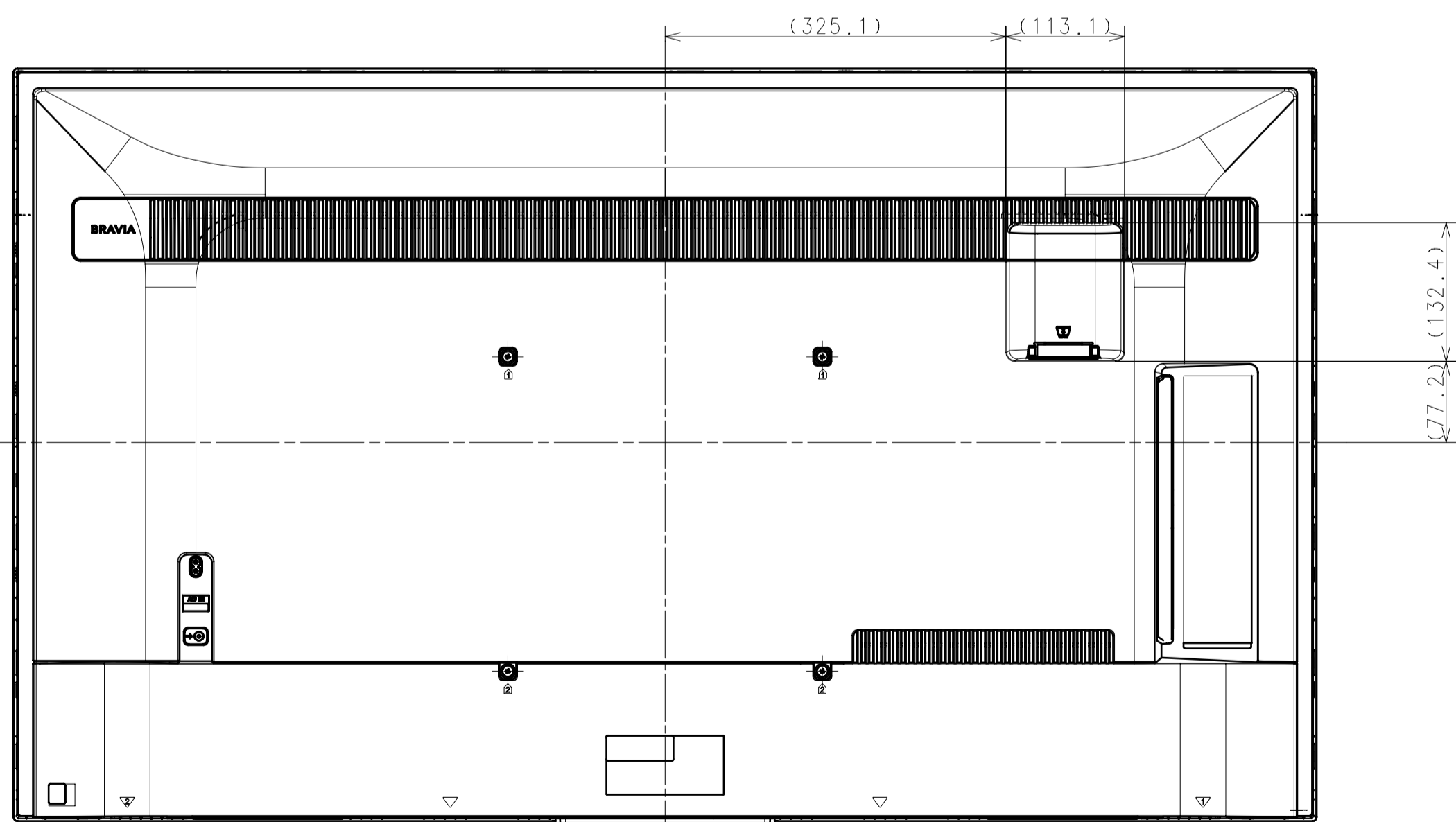
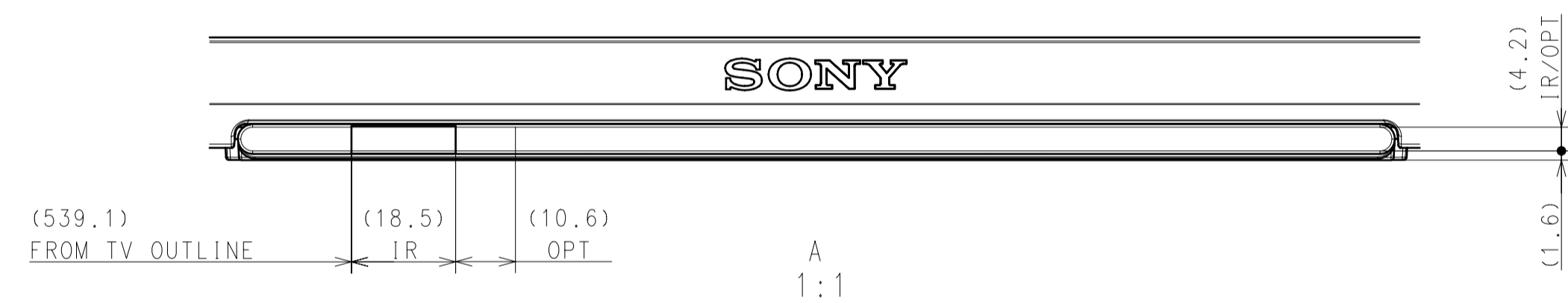
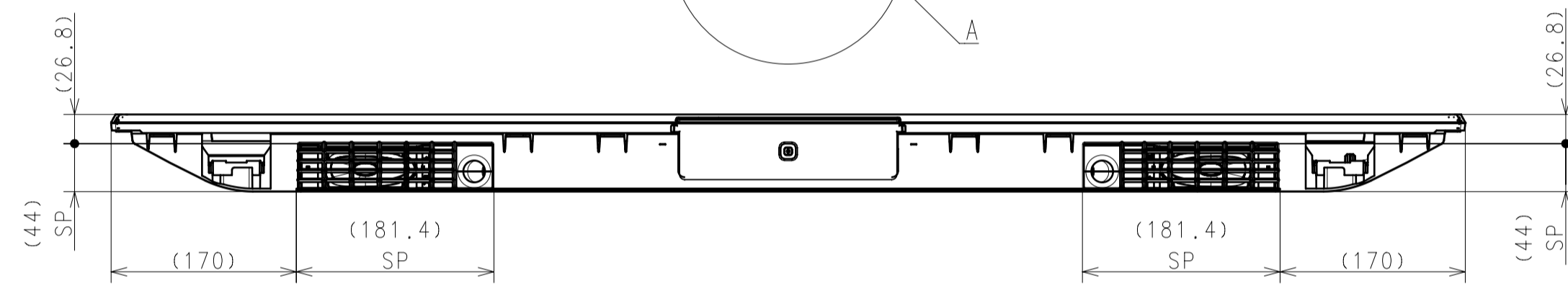
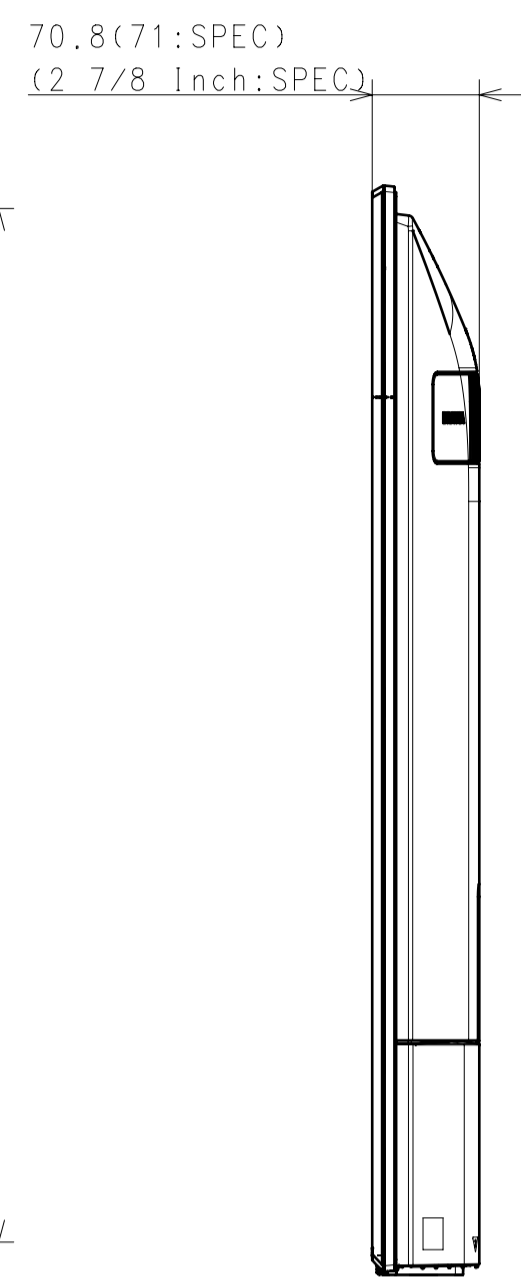
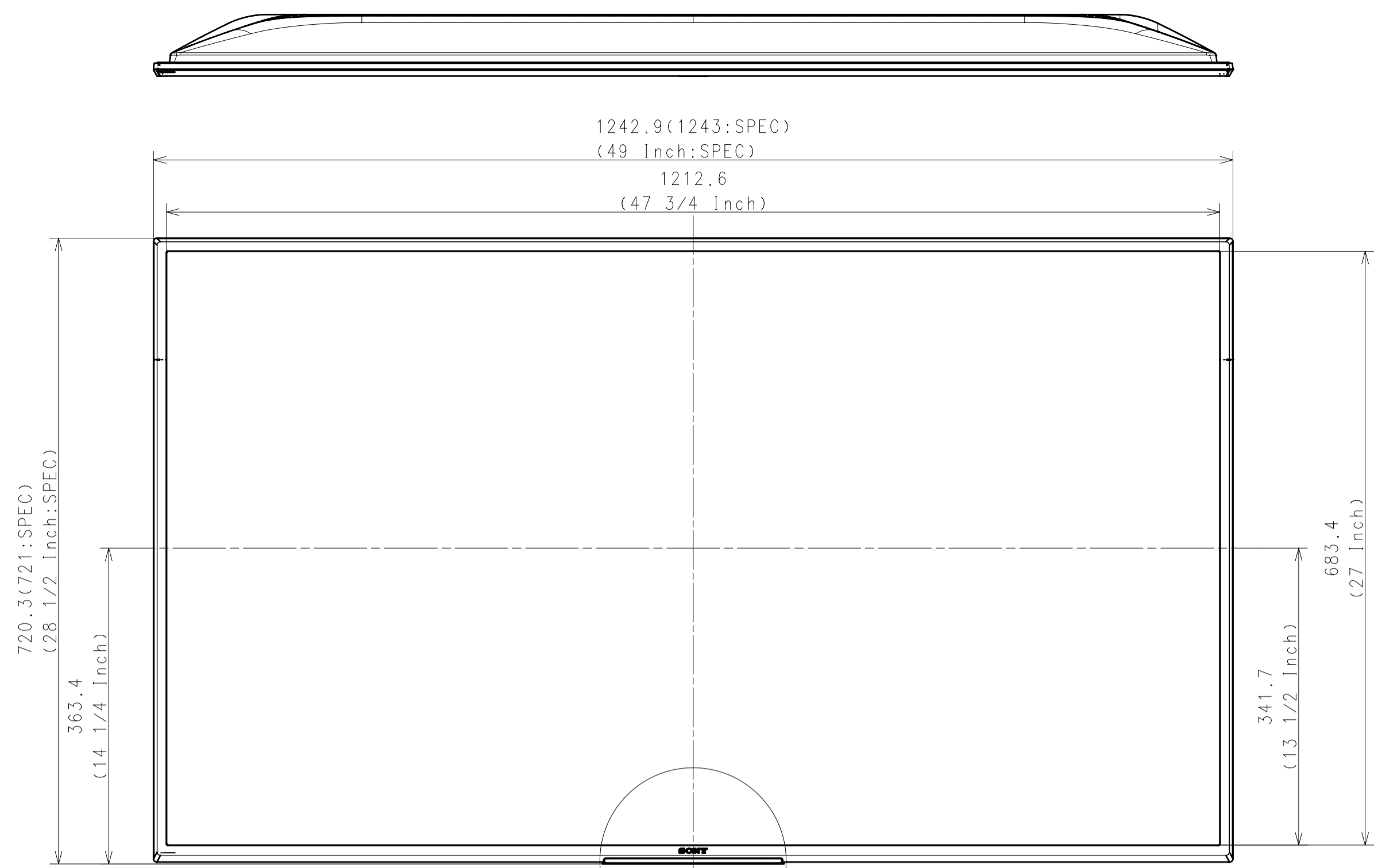
DATE	ISSUE	DESCRIPTION
2022.05.09	ASSEMBLY DRAWING	55(X75WL) EXTERIOR VIEW

WITH STAND
NARROW POSITION

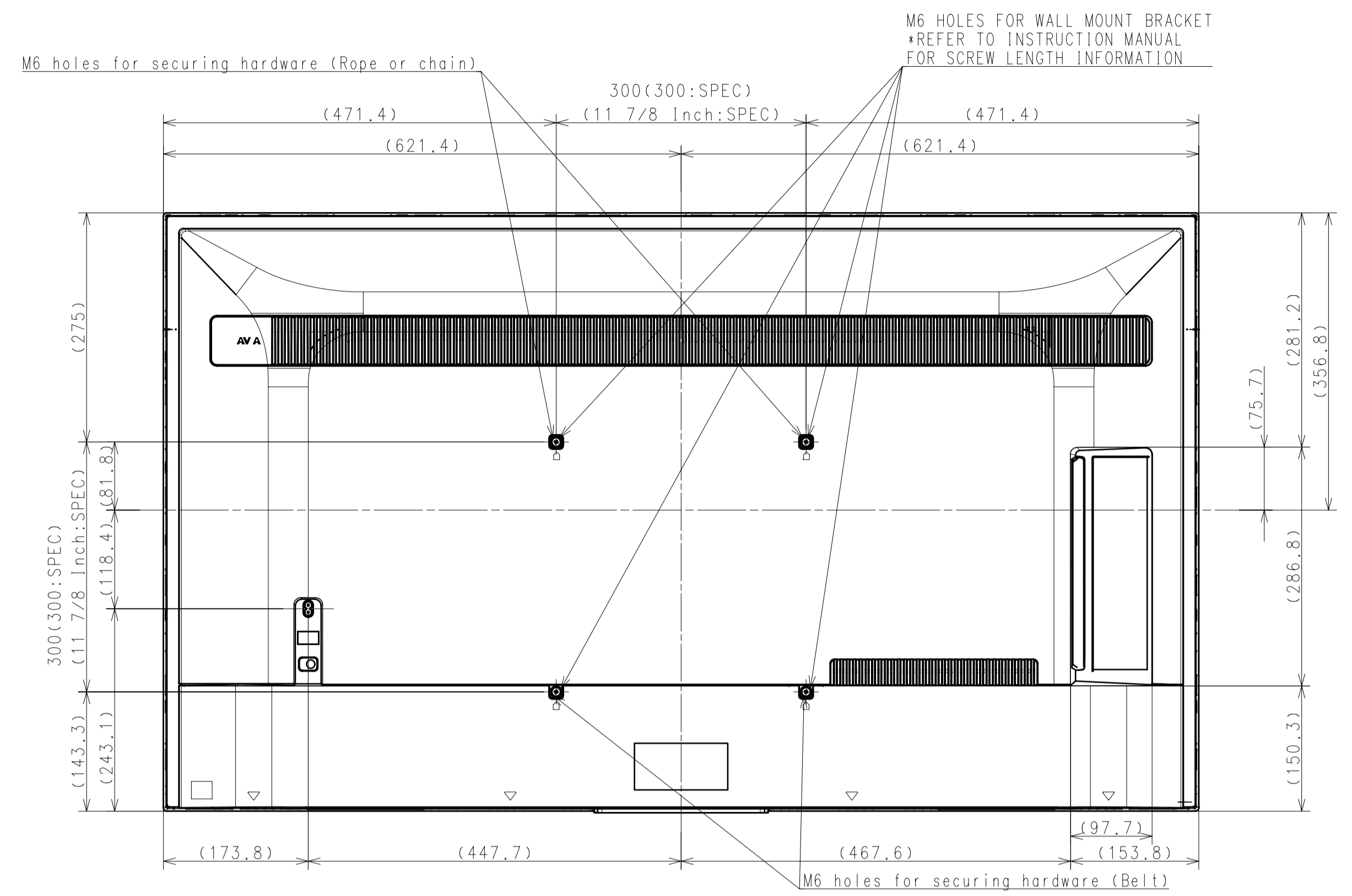


DESCRIPTION 1	LEGAL OWNER	SCALE
55(X75WL) EXTERIOR VIEW	Sony Corporation	1:5
DESCRIPTION 2	PART NO.	SHEET/PAGES
55(X75WL) EXTERIOR VIEW		2 / 5

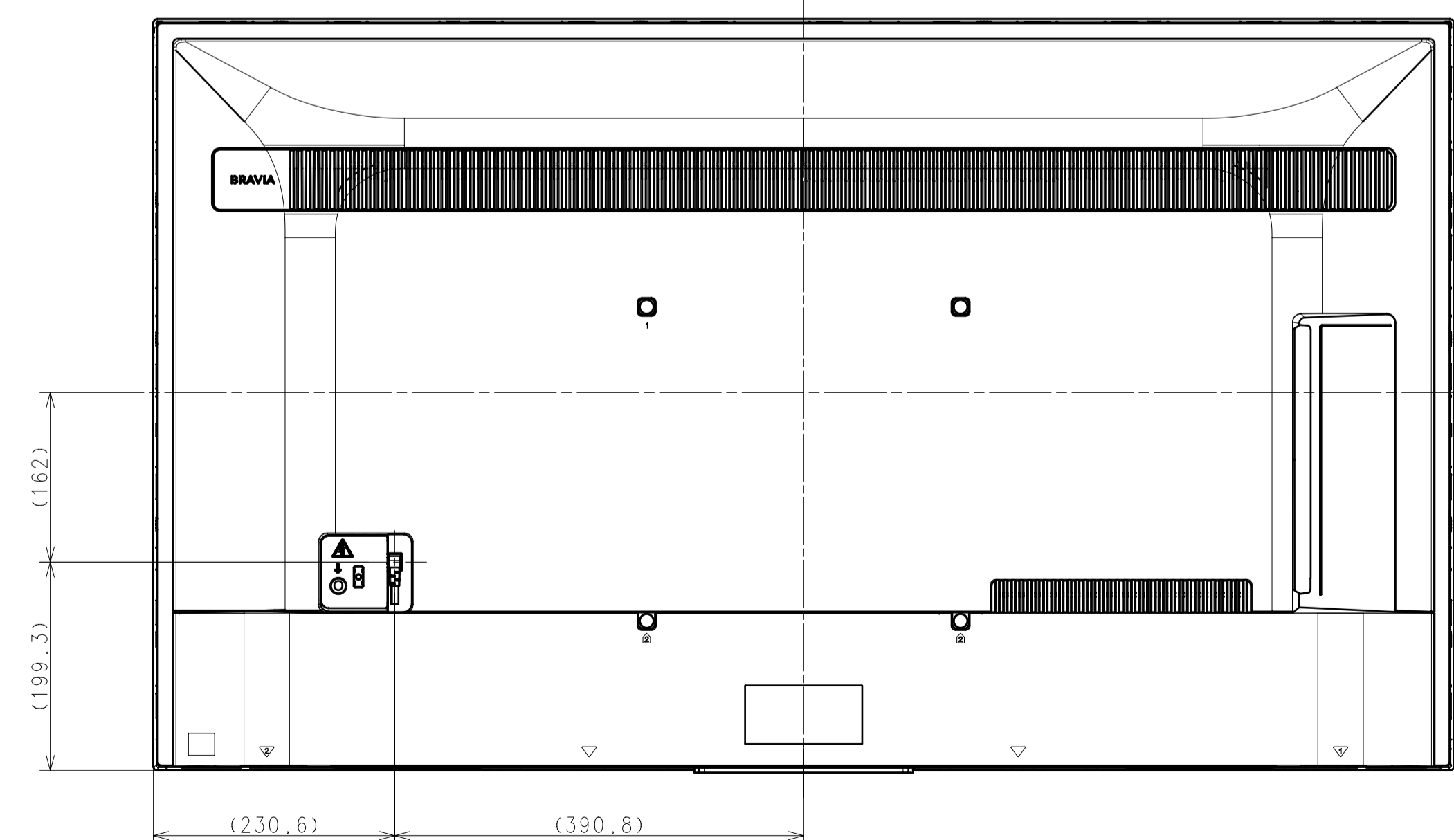
WITHOUT STAND



For. EUROPE



For. GENERAL AREA

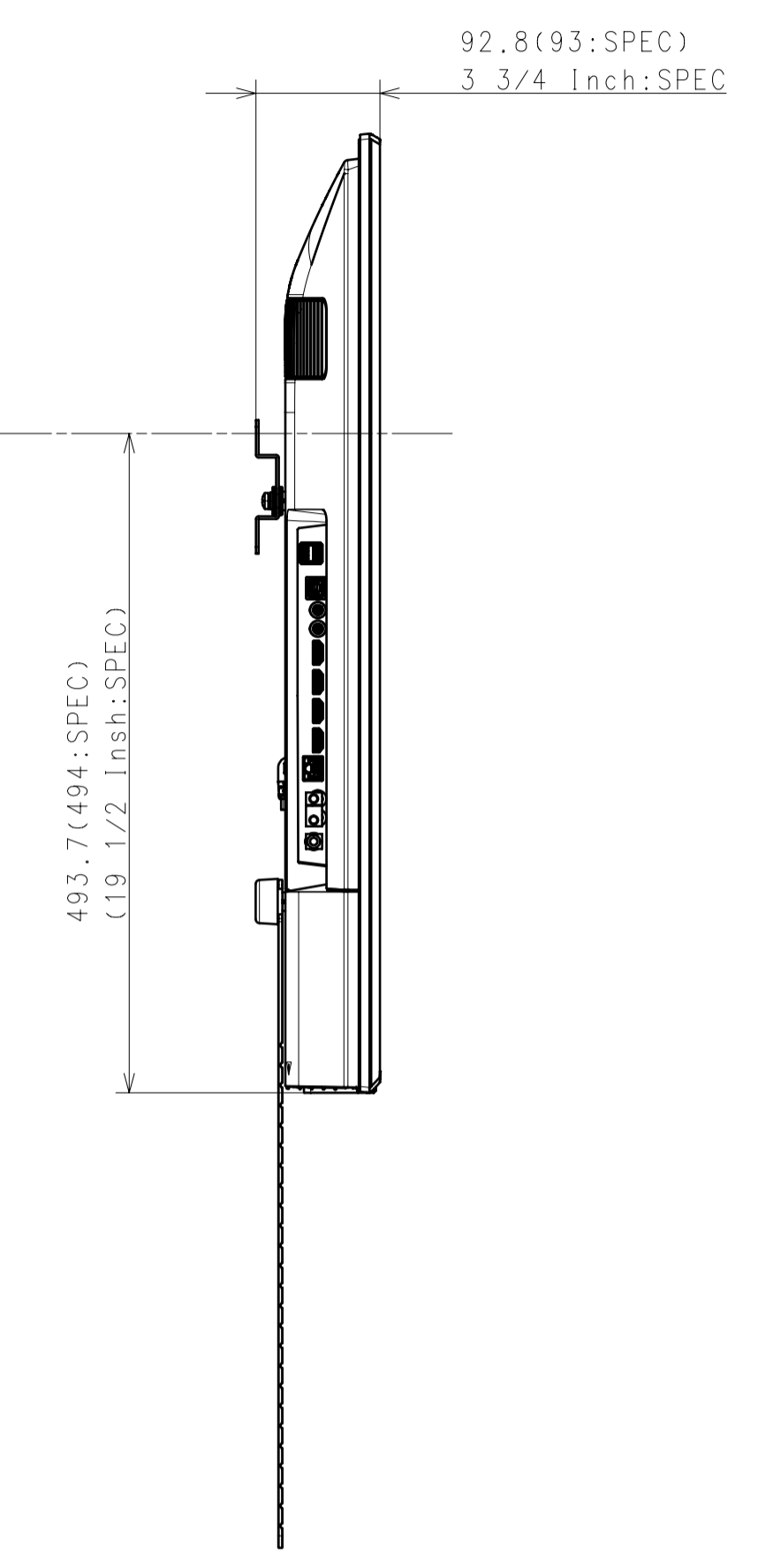
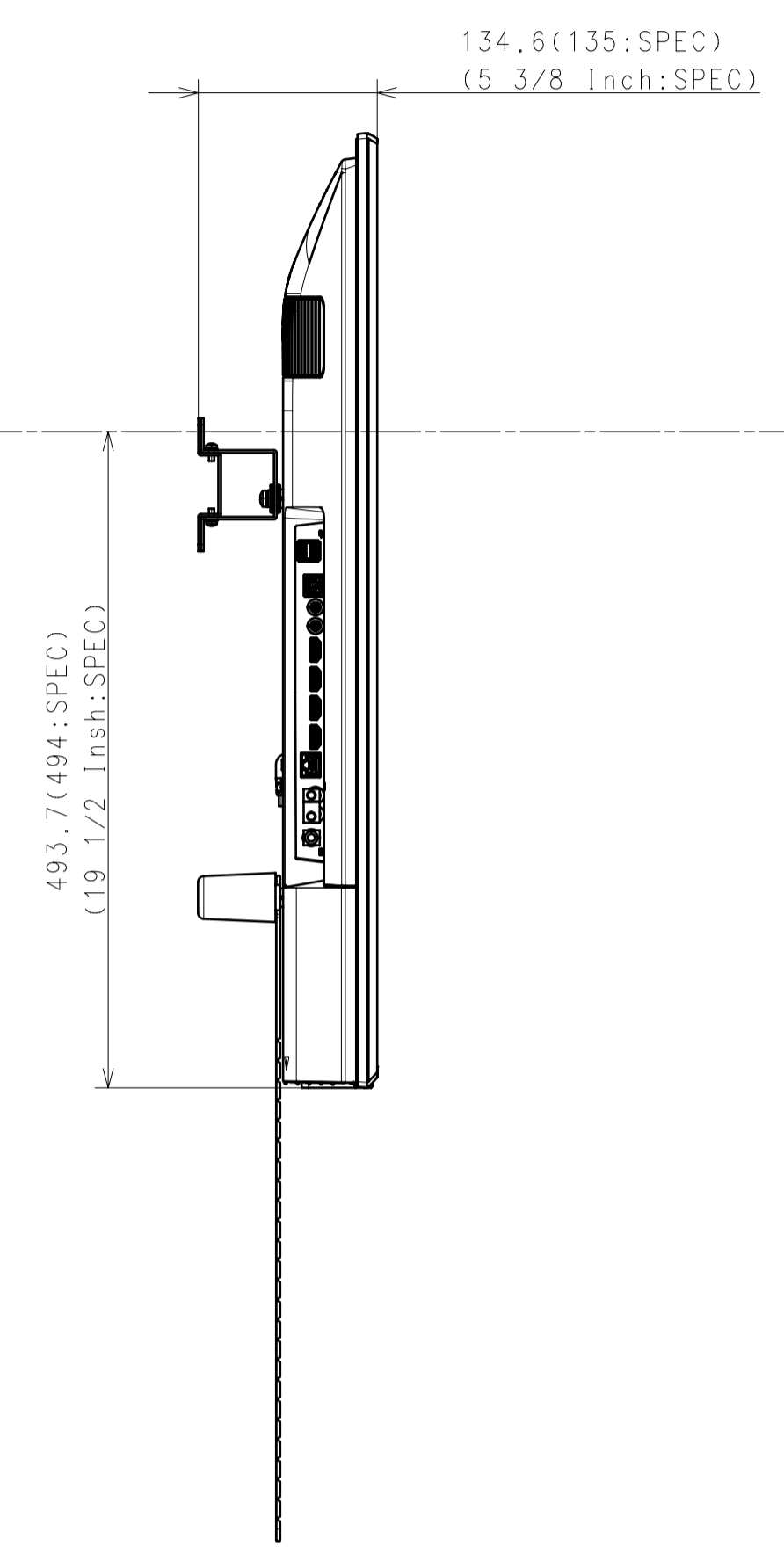
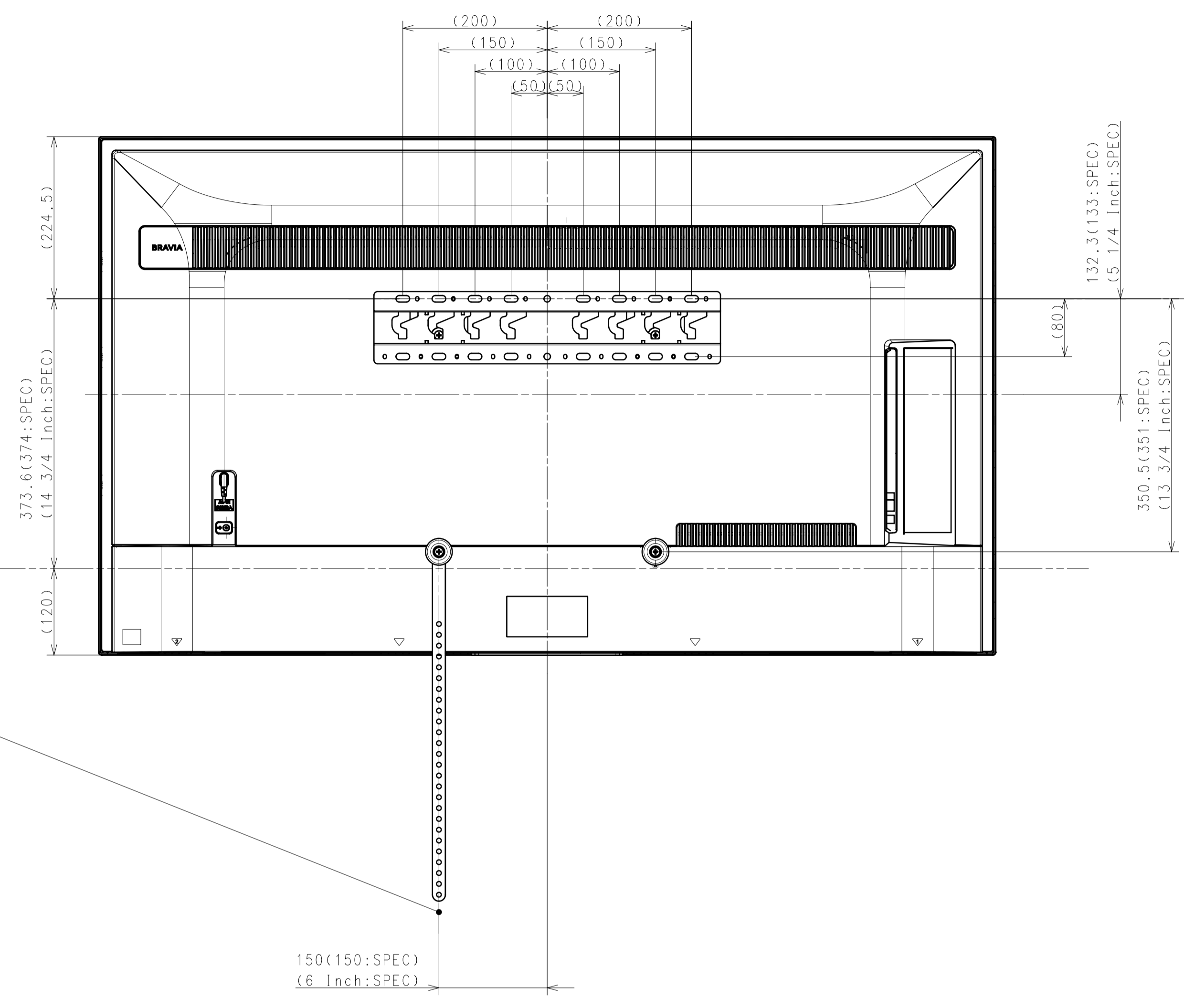


For. JAPAN

SU-WL450

STANDARD

SLIM

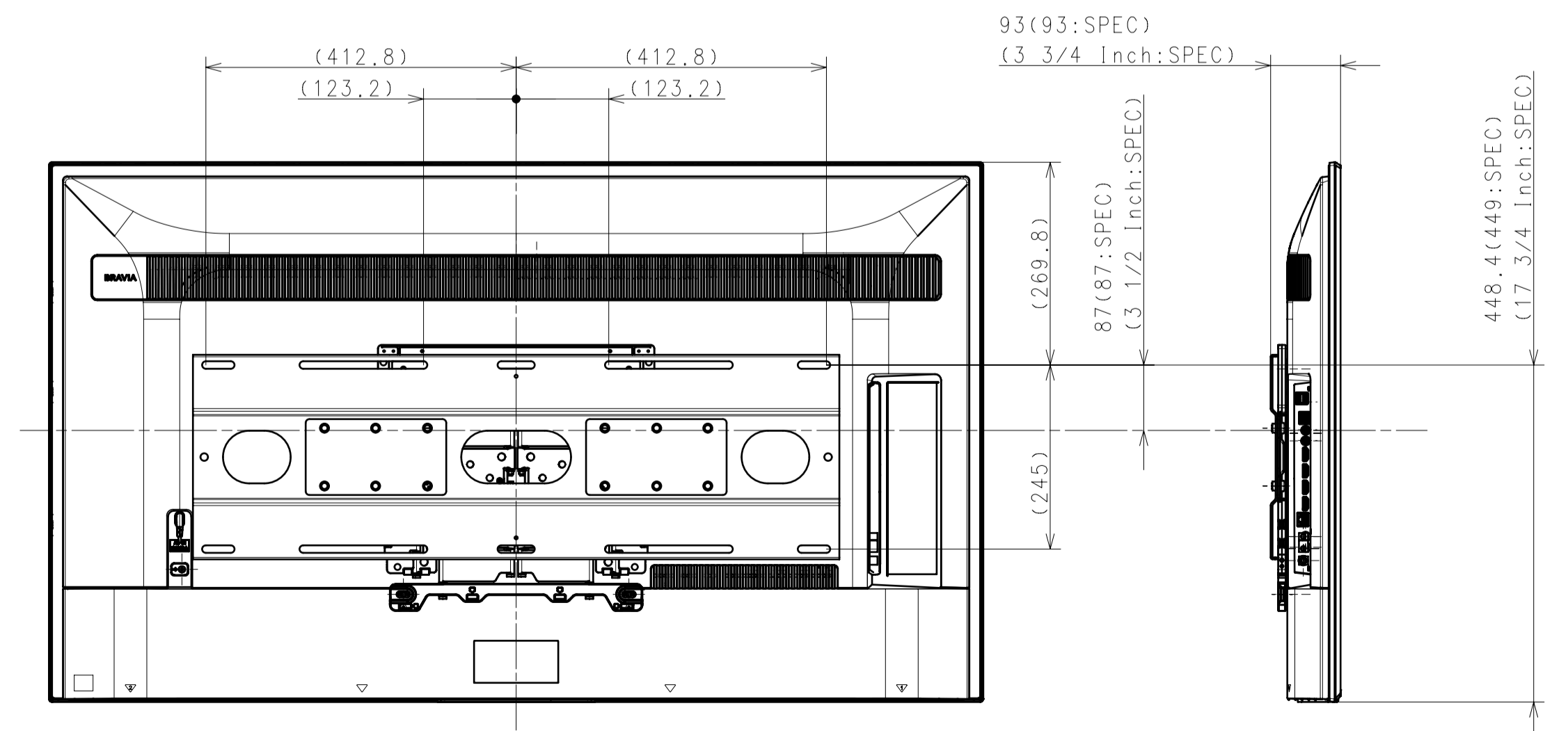
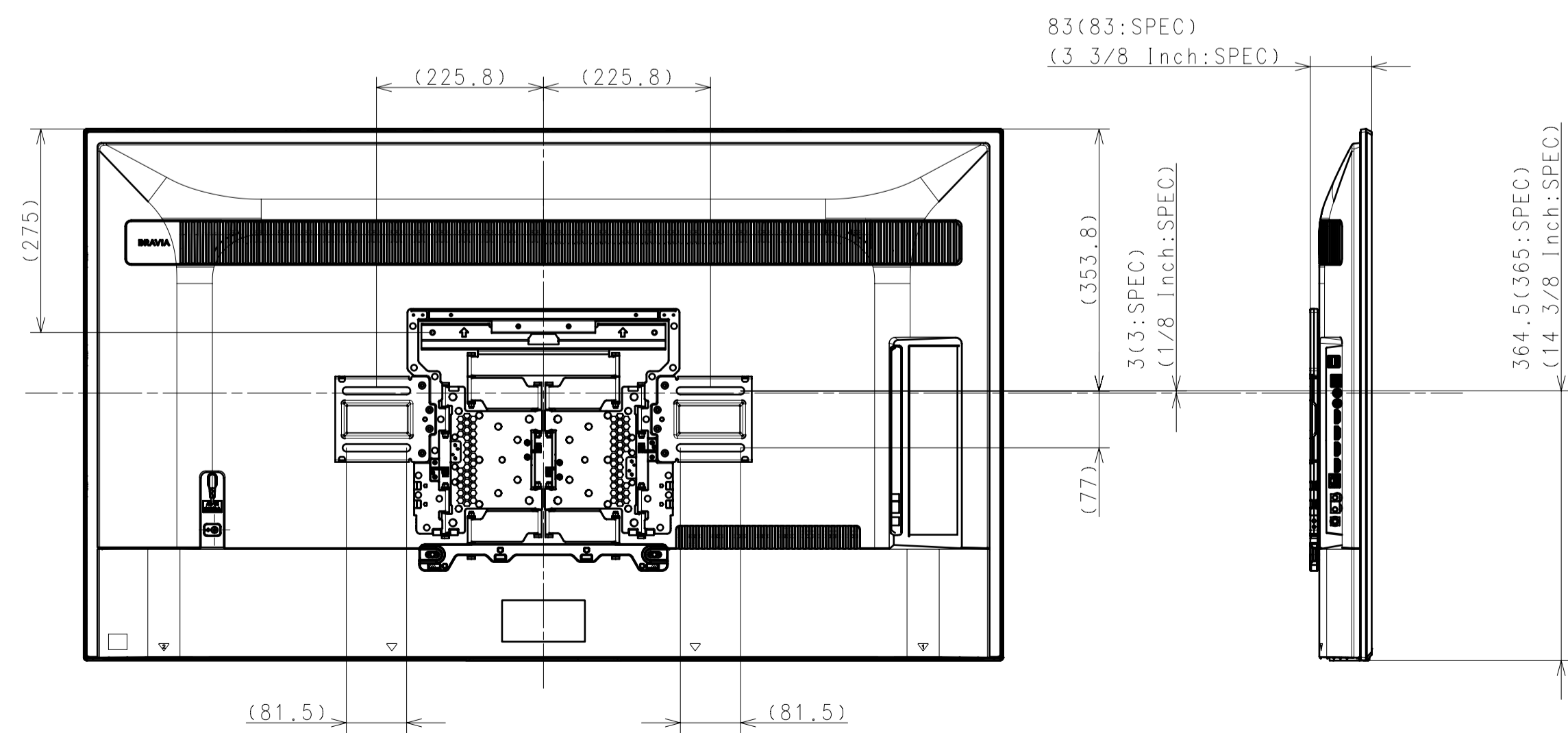
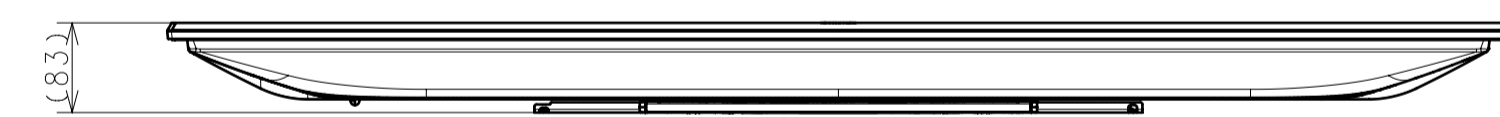
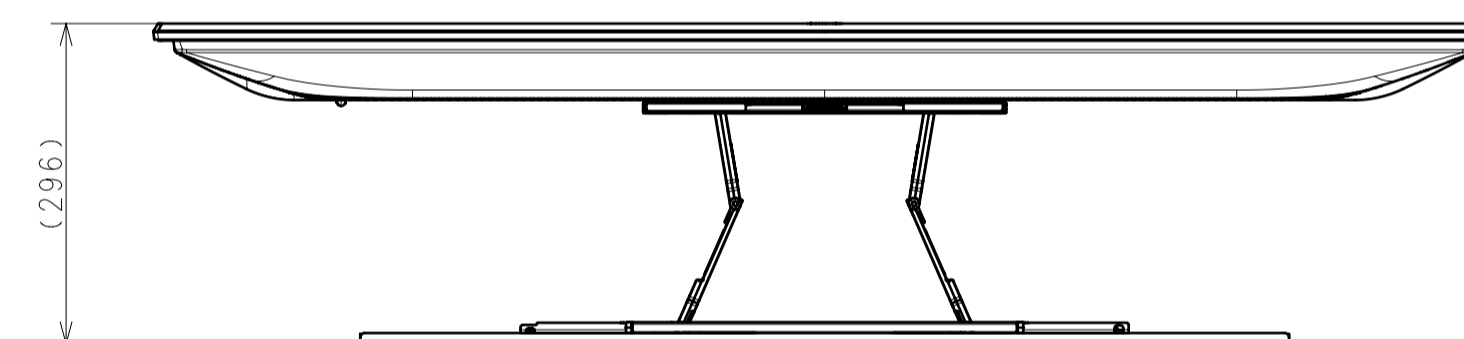
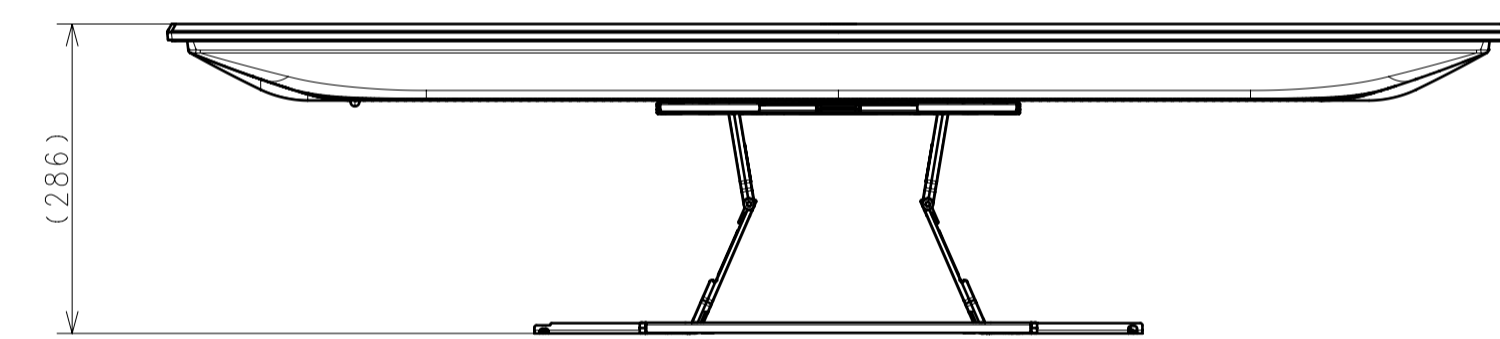
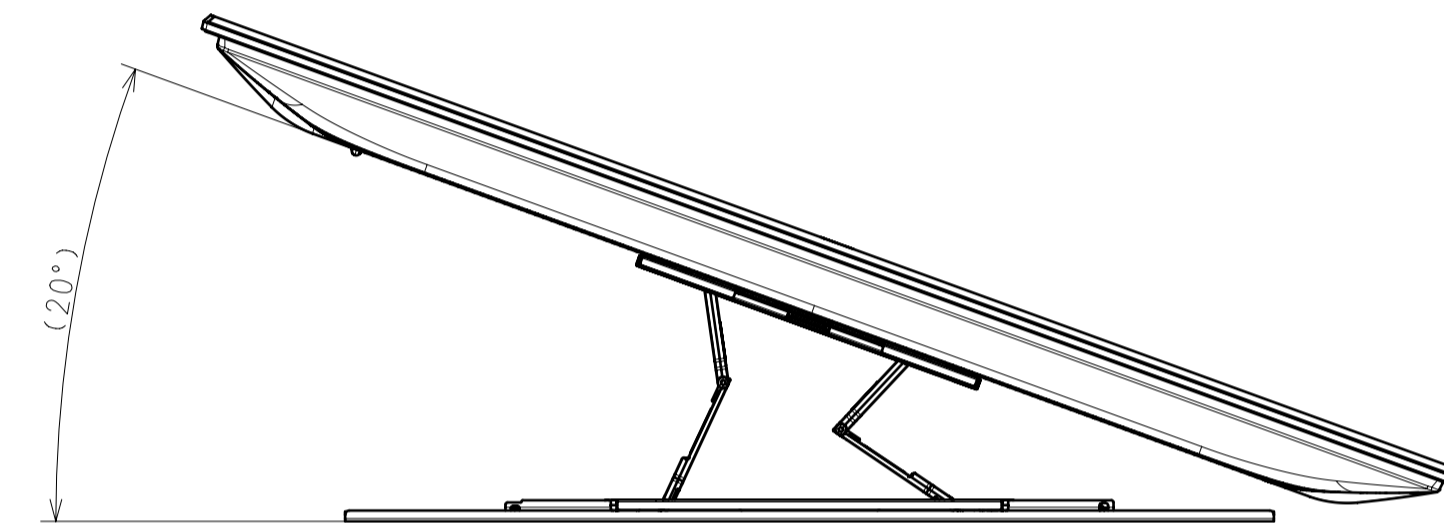
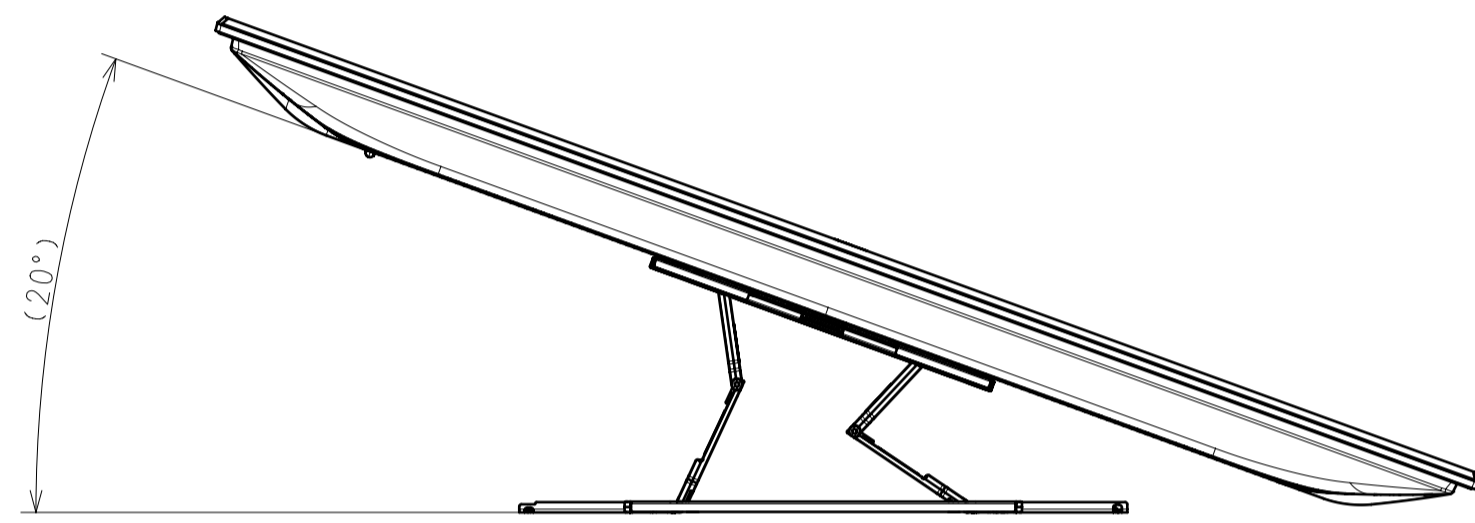
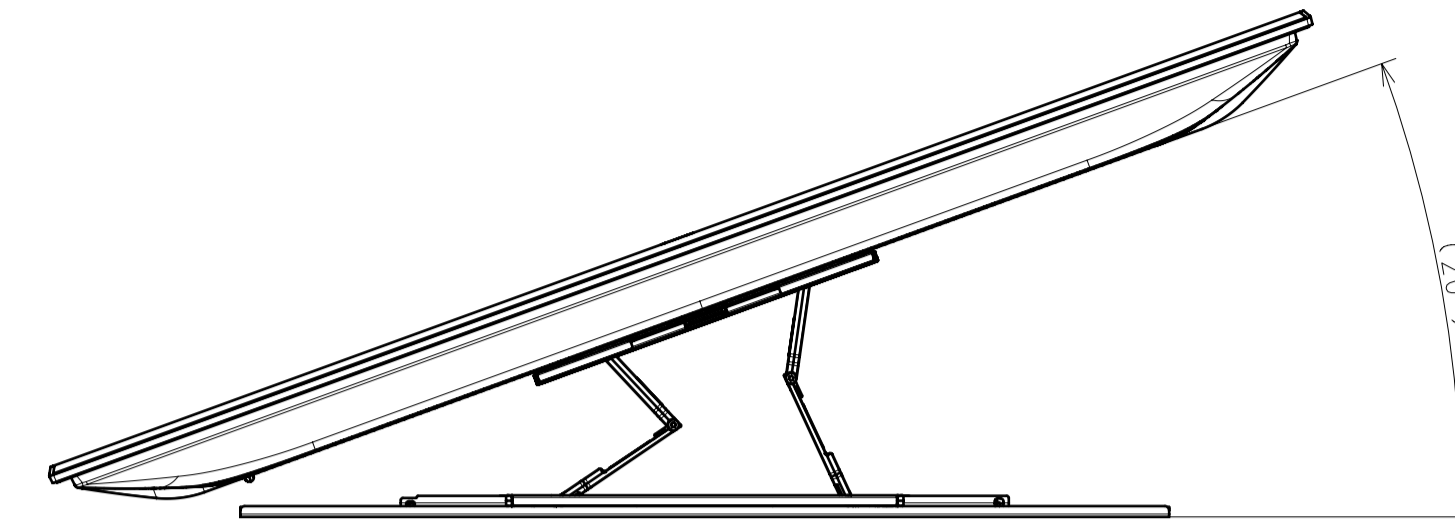
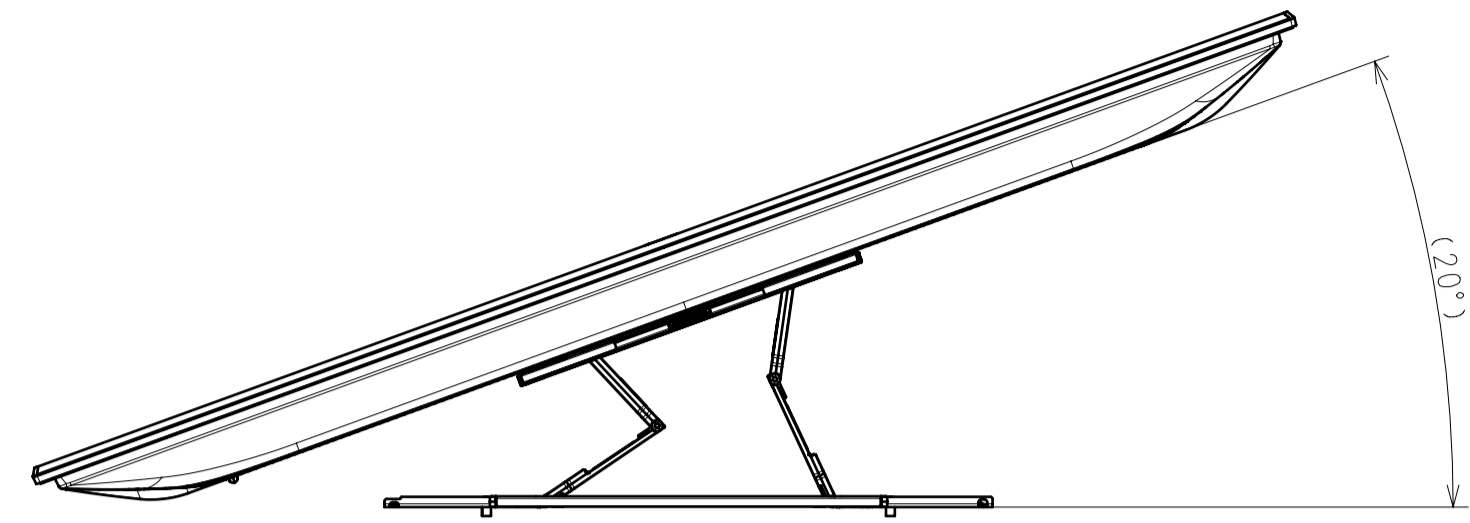


SONY STANDARD

DESCRIPTION 1	LEGAL OWNER	SCALE
55(X75WL) EXTERIOR VIEW	Sony Corporation	1:5
DESCRIPTION 2	PART NO.	SHEET/PAGES
55(X75WL) EXTERIOR VIEW		4 / 5

SU-WL 850

SU-WL 855 WITH LATERAL SHAFT BRACKET



DESCRIPTION 1	55(X75WL) EXTERIOR VIEW	LEGAL OWNER	Sony Corporation	SCALE	1:7
DESCRIPTION 2	55(X75WL) EXTERIOR VIEW	PART NO.		SHEET/PAGES	5/ 5