

Specifications

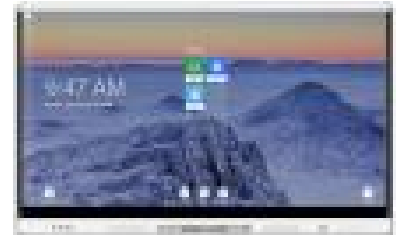
SMART Board® MX275 interactive display with iQ

Model SBID-MX275

Overview

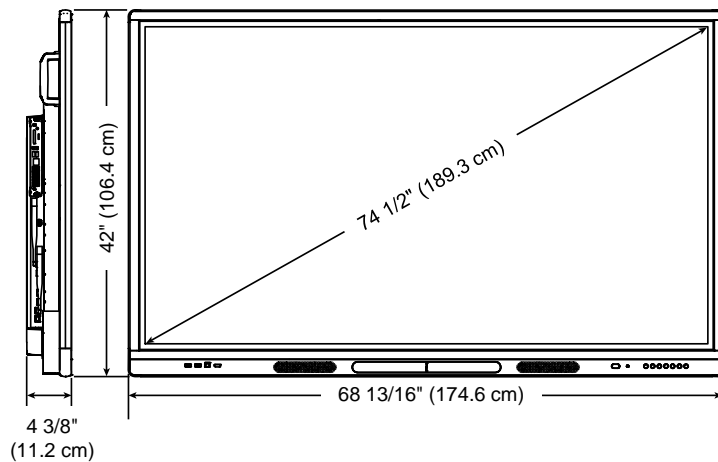
The SMART Board® MX series has all the essentials educators need for bringing the devices students love into any learning environment. This display is great value for schools that need an interactive display on a budget. The 75" 4K Ultra HD resolution display includes SMART Learning Suite and a standard three-year warranty.

The embedded iQ appliance offers one-touch access to SMART Learning Suite applications, including SMART Notebook® lessons and SMART lab™ activities. You can also access collaboration tools, including a digital whiteboard, a web browser, and wireless screen sharing.



Dimensions and weights¹

Dimensions



Weight

133 lb. (60 kg)

Active touch area

66 1/2" × 38" (168.8 cm × 96.6 cm)

Active image area

65" × 36 1/2" × (165 cm × 92.8 cm)

Shipping dimensions (including pallet)

75" W × 50 1/4" H × 11 5/8" D
(190.5 cm × 127.7 cm × 29.5 cm)

Shipping weight

192 lb. (87 kg)

¹All dimensions ± 1/8" (0.3 cm). All weights ± 2 lb. (0.9 kg).

Hardware

Interaction

Touch technology	IR
Multitouch capabilities	Up to 20 simultaneous touch, writing, or erase points ²³
Object Awareness™	Behavior adjusts automatically to the tool or object you're using, whether it's a pen, finger or palm.

Display

Type	LED backlit LCD (A grade)
Aspect ratio	16:9
Resolution	4K UHD
Positioning accuracy	<2 mm
Horizontal frequency (minimum)	31 Hz
Horizontal frequency (maximum)	140 kHz
Vertical frequency (minimum)	59 Hz
Vertical frequency (maximum)	70 Hz
Contrast ratio (typical)	1600:1
Brightness (maximum)	≥350 cd/m ²
Refresh frequency	60 Hz
Pixel clock (maximum)	600 MHz
Pixel dimensions	0.43 mm
Viewing angle	178°
Response time (typical)	8 ms
Ambient light sensor	Yes
Audio	10 W integrated speakers (×2)
Wireless	802.11 Wi-Fi a/b/g/n/ac 2.4GHz and 5GHz

²Requires SMART Product Drivers to be installed. Some applications might not support all touch points.

³Chrome OS is limited to 10 simultaneous touches. Pens and eraser are not supported.

Included cables and accessories	iQ appliance Country-specific power cable 16' 5" (5 m) USB cable Wall mount bracket kit Pen (×2) Antennas (×2) IR remote control
iQ appliance	
Wireless technology	Bluetooth® dual mode (backwards compatible with Bluetooth 4.2 + EDR)
Capture options	Establish a Bluetooth connection with a supported mobile device (see below) by scanning the interactive display's unique QR code
Supported languages	Danish Dutch English Finnish French German Italian Korean Norwegian Portuguese Russian Simplified Chinese Spanish Swedish Traditional Chinese Ukrainian Vietnamese
Mounting holes	For a standard VESA® 600 mm × 400 mm mounting plate with M8 screws
	NOTE A wall mount is included with the display.
Mounting bracket depth	Minimum clearance depth of 1 1/4" (3 cm) for all components on the back of the interactive display for airflow

Connectors

Back	Connector panel:	iQ appliance (AM40):
	HDMI® in (with HDCP 2.2 support) (×2)	USB 3.0 Type-A (×2)
	VGA in	HDMI 1.4 (HDCP-compliant)
	RJ45 (×2)	
	USB 2.0 Type-B (for touch applications) (×1)	
	USB 2.0 Type-A (×2)	
	HDMI 1.4 out (HDCP-compliant) ⁴	
	S/PDIF out (optical)	
	Stereo 3.5 mm in (for VGA in)	
	Stereo 3.5 mm out	
	OPS slot	
	RS-232 control	
Front	HDMI in (with HDCP 1.4 support)	
	USB 2.0 Type-B (for touch applications)	
	USB 2.0 Type-A (×2)	

Applications

Interactive display	Apps included in the iQ appliance One-year subscription to SMART Learning Suite
----------------------------	--

Installation requirements

Interactive display	See the <i>SMART Board MX series interactive displays installation and maintenance guide</i> (smarttech.com/kb/171257)
SMART Notebook® Player mobile app	iOS 10 or later operating system software
SMART kapp® app	
Apple devices	iOS 9 or later operating system software 50 MB of storage iPhone 4S or later Third-generation iPad or later First-generation iPad mini or later Fifth-generation iPod touch or later
Android devices	Android 4.4.4 (KitKat) or later operating system 50 MB of storage (internal or SD card) 1024 MB of RAM 720p or better screen resolution Bluetooth 2.1 + EDR 3 megapixel or better rear-facing camera (recommended)

⁴HDCP is always enabled. Content is shown in 480p resolution if the external display doesn't support HDCP.

SMART kapp viewer

Mobile	Safari for iOS 9 or later operating system software Chrome™ for Android 39.0.2171.93 or later
--------	--

Desktop	Internet Explorer® 10 or later Chrome 39.0.2171.95 or later Firefox® 34.0.5 or later Safari 8.0 or later
---------	---

Room computers and guest laptops

General requirements	See the SMART Notebook software release notes
----------------------	---

4K UHD	Graphics card that supports 3840 × 2160 resolution at 30 Hz and that has 1 GB DDR 5 memory See Minimum requirements for Ultra High Definition or 4K on your interactive flat panel
--------	---

Mini-computers

General requirements	See the SMART Notebook software release notes
----------------------	---

Cable requirements

HDMI	Maximum length: 23' (7 m)
-------------	---------------------------

NOTES

- Use only certified HDMI cables that have been tested to support the performance standard you require.
- The performance of cables longer than 23' (7 m) is highly dependent on the cable's quality.

USB	Maximum length: 16' (5 m)
------------	---------------------------

Important	Using cables that are longer than these maximum lengths can produce unexpected results, such as degraded picture quality or USB connectivity. Refer to <i>SMART installation standards</i> (smarttech.com/kb/171035) for comprehensive information about cables and extensions for SMART hardware products.
------------------	--

Storage and operating requirements

Power requirements	100V to 240V AC, 50 Hz to 60 Hz
---------------------------	---------------------------------

Interactive flat panel and IQ appliance power consumption at 77°F (25°C)

Standby mode	6.5 W
--------------	-------

Normal operating	244 W
------------------	-------

Standalone interactive display power consumption at 77°F (25°C)

Standby mode	≤0.3 W
--------------	--------

SPECIFICATIONS

SMART BOARD MX275 INTERACTIVE DISPLAY WITH IQ – MODEL SBID-MX275

Normal operating (out-of-box)	238 W
Operating temperature	41–95°F (5–35°C)
Storage temperature	-4–140°F (-20–60°C)
Humidity	5–80% relative humidity, non-condensing

Certification and compliance

Regulatory certification UL (U.S./Canada), FCC, IC, CE, EAC, RCM, NRCS, SABS, CITC, TRA, CCC
(Model ID: IDX75-1)

Environmental compliance

European Union	REACH, RoHS, Battery, WEEE and Packaging
U.S.	CONEG Packaging, California Proposition 65 and Conflict Minerals

Purchasing information

Order number

SBID-MX275 SMART Board MX075 interactive display with iQ and one-year subscription of SMART Learning Suite

Optional accessories

Other See smarttech.com/accessories

Warranty

North America and rest of world (except UK)	Three-year limited equipment warranty
UK	Five-year limited equipment warranty

Extended warranty

EWY1-SBID-MX275	SBID-MX275 interactive display with iQ one-year warranty extension
EWY2-SBID-MX275	SBID-MX275 interactive display with iQ two-year warranty extension

smarttech.com/support
smarttech.com/contactsupport

© 2019 SMART Technologies ULC. All rights reserved. SMART Board, SMART Notebook, SMART lab, SMART amp, SMART response 2, DVIT, Pen ID, Object Awareness, smarttech, the SMART logo and all SMART taglines are trademarks or registered trademarks of SMART Technologies ULC in the U.S. and/or other countries. iPhone, iPad, iPod touch and Safari are trademarks of Apple Inc., registered in the U.S. and other countries. Google Play, Android and Chrome are trademarks of Google Inc. All other third-party product and company names may be trademarks of their respective owners. This product and/or use thereof is covered by one or more of the following U.S. patents: www.smarttech.com/patents. Contents are subject to change without notice. October 8, 2019.