

SPECIFICATION SHEET

**USB 3.0 USB-C to USB-A Adapter M/F - Black**

- Provides compatibility for USB-C laptop, tablet, or desktop to connect to a smartphone, tablet, printer, or digital camera
- Molded USB 3.0 label for easy identification
- Lifetime warranty

Specifications: USB 3.0 USB-C to USB-A Adapter M/F - Black

Electrical Specifications:

Voltage Rating:	30V
Dielectric Strength:	AC—500V/1 Minute No Breakdown (EIA-364-20)
Insulation Resistance:	SR-PVC DC-500V 10M[OHM]/KM
Conductor Resistance:	No Cable, USB-C Male Connects to USB-A Female BY PCB

Physical Specifications:

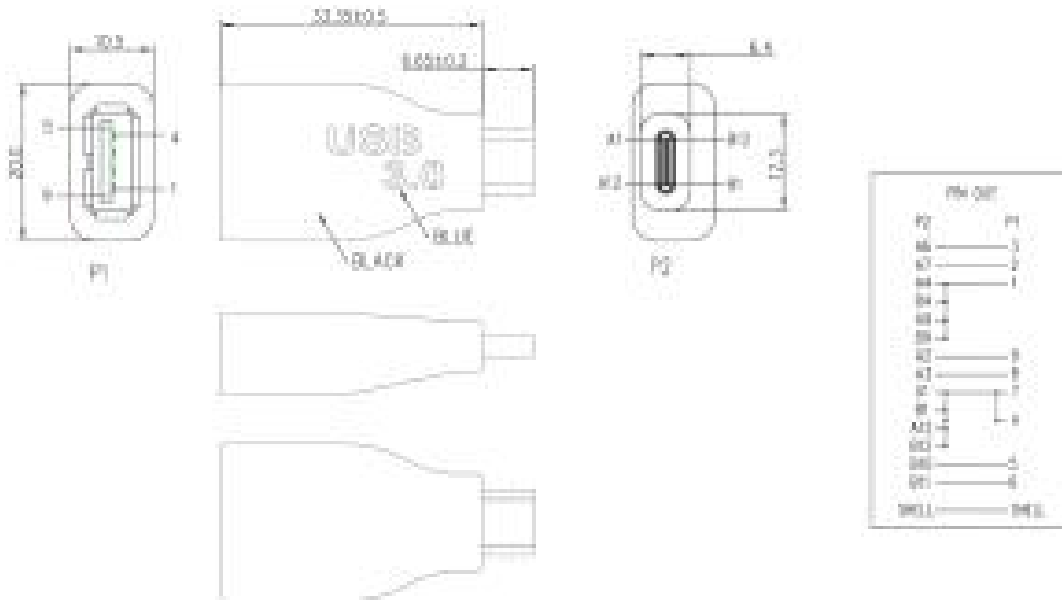
Operating Temperature:	0[D]C to 50[D]C
Storage Temperature:	-25[D]C to 70[D]C

USB 3.0 C Connector:

Gender:	Male
Insulation:	Black
Contact Material:	Gold Flashing
Shell Material:	Nickle Plated

USB 3.0 A Connector:

Gender:	Female
Insulation:	Black
Contact Material:	Gold Flashing
Shell Material:	Nickle Plated



Part Number	Description	Weight (lbs)
28868	USB 3.0 USB-C to USB-A Adapter M/F - Black	



CABLES TO GO

Cables To Go
 3555 Kettering Blvd.
 Mississauga, ON L4X 1V9
 Phone: 800.267.2843
www.c2g.com

Follow Us

