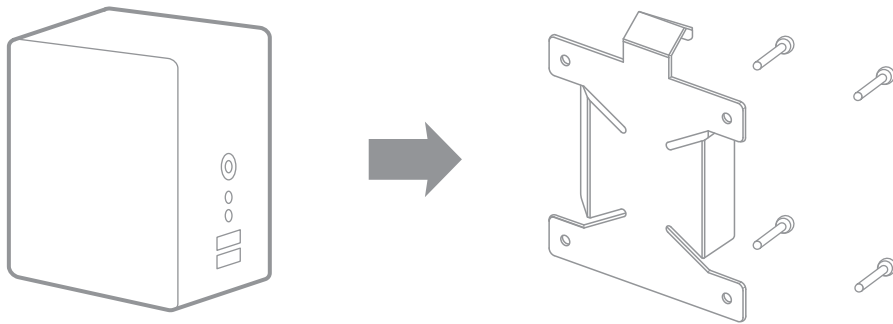


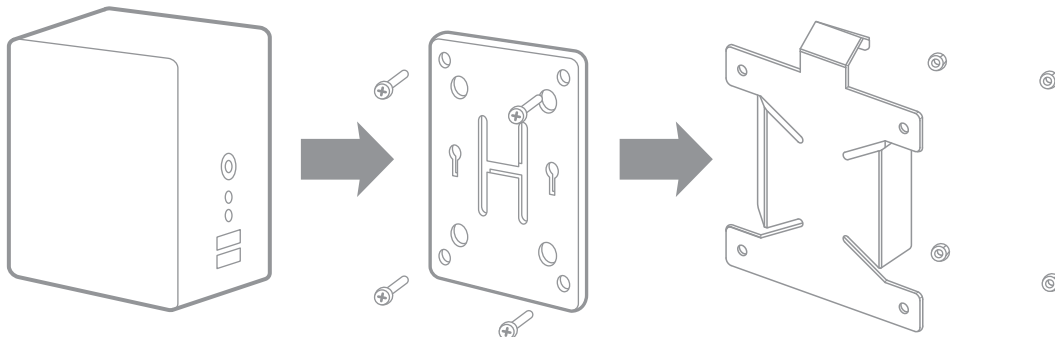
# MD BRPCV07 BRACKET - QUICK GUIDE

The **MD BRPCV07** bracket allows for easy installation of a small form factor device to the back of a compatible height adjustable iiyama monitor. Your device can be mounted either directly to the bracket (**option 1**) or requires the use of an additional plate/bracket which is mounted to the MD BRPCV07 bracket (**option 2**).



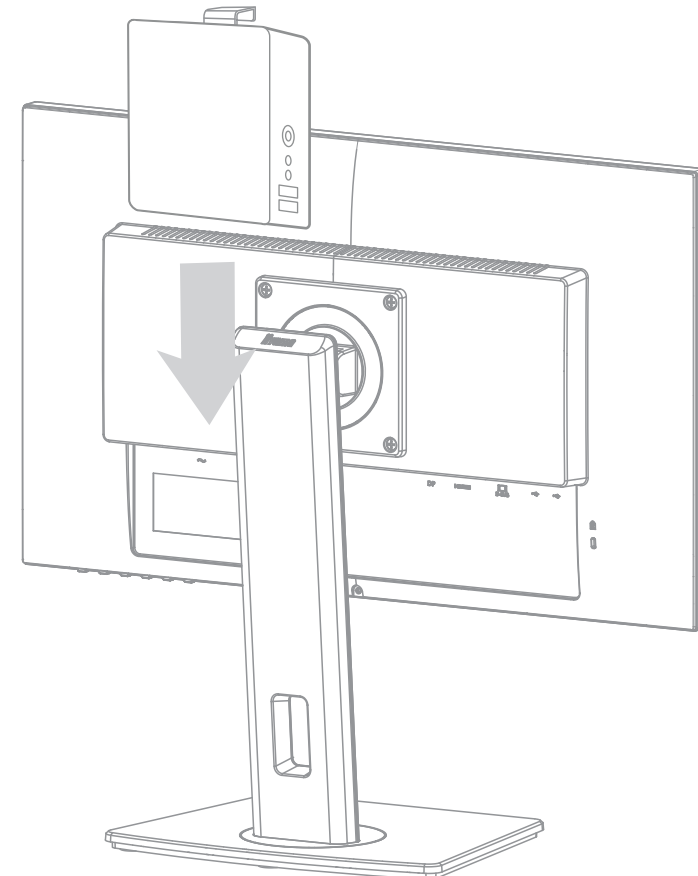
## Option 1: For VESA\* compatible devices.

Put the device and the bracket together, aligning the positions of the holes. Screw the two together using the screws supplied.



## Option 2: For devices supplied with VESA\* compliant bracket.

Mount your VESA compliant bracket to the MD BRPCV07 bracket and then attach your device to the set.



\* VESA 100x100